

Parts Catalog

Atlas

Models: Diesel, Gasoline, & LPG



PREFACE

Thank you for your purchase of the new industry standard for sweepers. PowerBoss® takes great pride in offering the most dependable, reliable and best value in industrial power sweepers and sweeper / scrubbers. We set the standard.

Our Customer Service Department would like to hear from you. If you see any errors, omissions or something that needs clarification in this Parts Catalog please let us know. We are working hard towards continually improving our processes to bring you the best you deserve. Please copy the form below, fill out and comment on how you found our catalog.

Thank you!
The PowerBoss Team

Name: _____

Title: _____

Company Name: _____

Address: _____

Country: _____

Type of equipment or model number: _____

Comments: _____

Please return to:
Customer Service Manager
PowerBoss®, Minuteman International, Inc.
14N845 U.S. Route 20
Pingree Grove, Illinois 60140 USA

Phone: (800) 323-9420
Email: tech@powerboss.com

This is the Parts Catalog for the PowerBoss® Atlas Sweeper machine.

This catalog covers all Standard Atlas machine variations beginning February 2015.

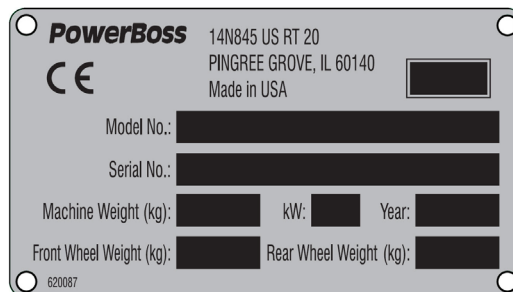
We believe this machine will provide excellent service for many years. Best results will be obtained if:

- The machine is operated with reasonable care.
- The machine is maintained regularly per the maintenance schedule provided in the User Manual.
- The machine is maintained with PowerBoss® supplied or equivalent parts.

All right side and left side references to the machine (except for engine) are determined by facing the direction of forward travel. The front of the engine or engine fan faces the rear of the machine. Some hardware considered to be common or locally available has been omitted from the parts section to make this manual clear. Be sure to use equivalent hardware when replacement becomes necessary.

The Model and Serial Number of your machine is shown on the I.D. name plate. This information is needed when contacting Technical Support or when ordering parts. The I.D. plate is mounted on the left side wall of the operator seating area.

Example ID Plate:



Parts may be ordered by phone, fax or e-mail from any PowerBoss® parts and service center. Before ordering parts or supplies, be sure to have your machine model number and serial number handy. For your convenience Fill out the data block below for future reference.

MACHINE DATA
Fill out at installation

Model Number: _____

Serial Number: _____

Engine Serial Number: _____

Sales Rep.: _____ Date of Install: _____

All information contained in this catalog is current at the time of printing. Minuteman International, Inc. reserves the right to make changes at any time without notice.

TECHNICAL SPECIFICATIONS

Model Atlas Sweeper

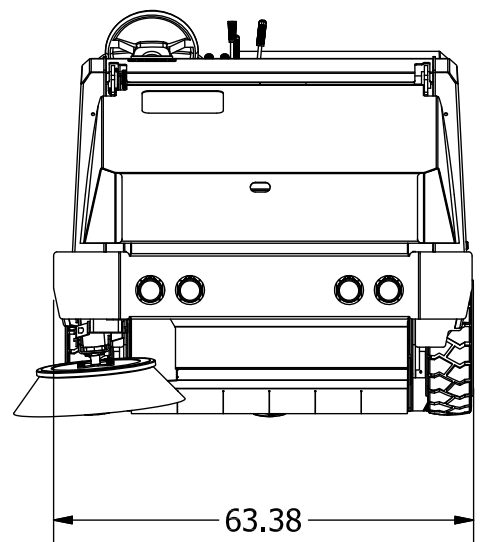
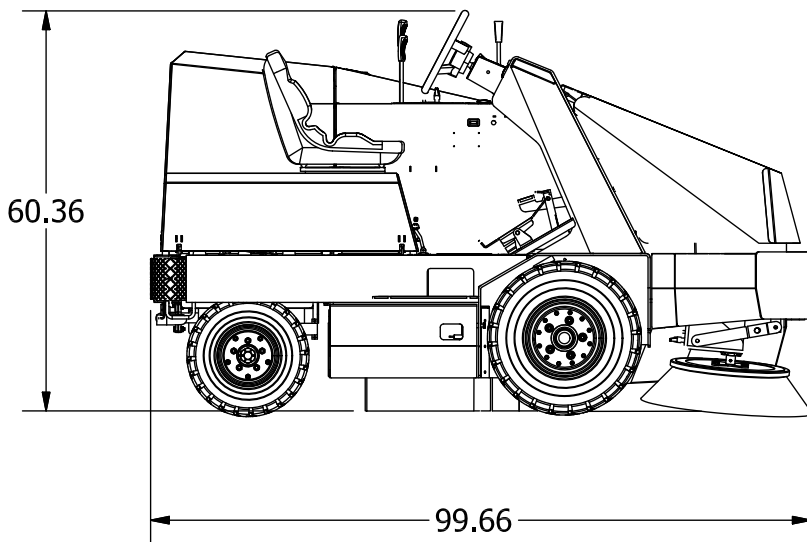
Model No. PB620DSL, PB620GAS, PB620LP, PB620DSL-DSB, PB620GAS-DSB, PB620LP-DSB

GENERAL MACHINE SPECIFICATIONS

Length: 99.75 in
 Width without side broom 63.38 in
 Rear frame width: 60.00 in
 Height to steering wheel 60.38 in
 Height w/ overhead guard 82.25 in
 Height wo/ overhead guard 60.50 in
 Wheelbase: 47.75 in
 Aisle width U-turn: 10.0 ft (120 in)
 (contact clearance = 113 in)
 Empty vehicle weight 3500 lbs
 Gross vehicle weight 4700 lbs
 Sound level target: 83 dBa
 Maximum forward speed: 9.8 mph
 Maximum reverse speed: 3 mph
 Maximum climb angle empty hopper: . . . 14 degrees
 (Maximum climb angle)

SCRUBBING SYSTEM PRODUCTIVITY

Main broom diameter: 14.0 in
 Main broom length: 48.0 in
 Side broom diameter: 26.0 in
 Sweeping path w/ side broom 62.75 in
 Optimum main broom pattern width: . . . 2.0 in – 2.5 in
 Hopper weight capacity: 1200 lb
 Hopper volumetric capacity
 (less filter box): 16.0 cu ft
 Hopper dump height: to clear 60 in
 (approx 62 in)
 Min. ceiling height
 for 60" hopper dump: 8 ft – 6 in
 Filter type: Treated synthetic
 panel filter
 Filter area: 95 sq ft



dimensions shown in inches

TABLE OF CONTENTS

PREFACE 2

TECHNICAL SPECIFICATIONS 4

 GENERAL MACHINE SPECIFICATIONS 4

 SCRUBBING SYSTEM PRODUCTIVITY 4

NOTES 9

PARTS BREAKDOWN 10

 FRAME GROUP 1 (600680) 10

 FRAME GROUP 2 (600680) 12

 CLAMP - HOSE GROUP 1 (600860) 14

 CLAMP - HOSE GROUP 2 (600860) 16

 BRAKE GROUP (600688) 18

 FRONT WHEEL GROUP (600687) 20

 STEERING COLUMN GROUP (600682) 22

 STEERING FORK GROUP (600690) 24

 REAR WHEEL GROUP (600689) 26

 INSTRUMENT PANEL GROUP - DIESEL (600611) 28

 INSTRUMENT PANEL GROUP - GAS (600636) 30

 INSTRUMENT PANEL GROUP - LPG (600700) 32

 ELECTRICAL GROUP - DIESEL (600612) 34

 DIESEL CONTROL BOX (748769) 36

 ELECTRICAL GROUP - GAS & LPG (600880) 38

 DIRECTIONAL CONTROL GROUP (600681) 40

 PUMP LINKAGE GROUP (600608) 42

 SPEED RESTRICTION GROUP - 1 (600684) 44

 SPEED RESTRICTION GROUP - 2 (600684) 46

 MAIN BROOM LIFT GROUP (600660) 48

 MAIN BROOM GROUP (600632) 50

 IDLER ARM GROUP (600631) 52

 MAIN BROOM DOOR GROUP (600640) 54

 SIDE BROOM LIFT GROUP (600665) 56

 SIDE BROOM GROUP (600651) 58

 HOPPER LIFT GROUP (600691) 60

 HOPPER SAFETY ARM GROUP (600686) 62

 HOPPER SKIRTS SEALS GROUP (600621) 64

HOPPER ASSEMBLY GROUP (600623)	66
HOPPER DUMP DOOR GROUP (600622).	68
HOPPER COVER GROUP (600625).	70
HOPPER FILTER SHAKER GROUP (600624).	72
BUMPER GROUP (600626).	74
IMPELLER GROUP (600790)	76
HYDRAULIC RESERVOIR GROUP (600683)	78
OIL COOLER GROUP (600609)	80
HYDRAULIC PUMP GROUP (600606).	82
HYDRAULIC VALVE GROUP (600685)	84
MAIN BROOM INTERLOCK GROUP (600644)	86
COVER FRAME GROUP (600780).	88
TOP COVER GROUP (600760).	90
SIDE DOOR GROUP (600750)	92
ENGINE COVER GROUP (600661)	94
PUMP COVER GROUP (600610)	96
HYDRAULIC HOSE GROUP (600850).	98
RADIATOR GROUP - DIESEL, GAS, LPG (600615).	100
RADIATOR OVERFLOW GROUP (600602).	102
BATTERY GROUP (600770)	104
FUEL TANK GROUP - DIESEL (600618)	106
FUEL TANK GROUP - GAS (600634).	108
LPG TANK GROUP (600710).	110
ENGINE MOUNT GROUP - DIESEL (600657).	112
ENGINE MOUNT GROUP - GAS (600658)	114
ENGINE MOUNT GROUP - LPG (600659).	116
AIR CLEANER GROUP - DIESEL (600614).	118
AIR CLEANER GROUP - GAS (600629).	120
AIR CLEANER GROUP - LPG (600605).	122
THROTTLE SOLENOID GROUP - DIESEL (600628)	124
FUEL COMPONENT GROUP - GAS (600635).	126
EXHAUST GROUP - DIESEL (600671).	128
EXHAUST GROUP - GAS & LPG (600675)	130
DECAL GROUP - DIESEL (600643)	132
DECAL GROUP - GAS (600641)	134
DECAL GROUP - LPG (600642)	136

DUAL SIDE BROOM (DSB) 138

DSB LH SIDE BROOM GROUP (600654) 138

DSB LH SIDE LIFT GROUP (600653). 140

DSB HOPPER SKIRTS SEALS GROUP (600646) 142

DSB SWITCH GROUP (600655) 144

DSB BUMPER GROUP (600645) 146

DSB IMPELLER GROUP (600656) 148

DSB HYDRAULIC HOSE GROUP (600652). 150

DSB HOSE CLAMP GROUP 1 (600647). 152

DSB HOSE CLAMP GROUP 2 - DIESEL (600648) 154

DSB HOSE CLAMP GROUP 2 - GAS, LPG (600649) 156

OPTIONS - PARTS BREAKDOWN 158

OPTION - VACUUMIZED SIDE BROOM GROUP - PAGE 1 (600003). 158

OPTION - VACUUMIZED SIDE BROOM GROUP - PAGE 2 (600003). 160

OPTION - DUAL VACUUMIZED SIDE BROOM GROUP - PAGE 1 (600004) 162

OPTION - DUAL VACUUMIZED SIDE BROOM GROUP - PAGE 2 (600004) 164

OPTION - SUSPENSION SEAT GROUP (600005) 166

OPTION - BACKUP ALARM GROUP (600006) 168

OPTION - SAFETY LIGHT, AMBER STROBE LIGHT OHG GROUP (600007) 170

OPTION - SAFETY LIGHT, AMBER ROTATING LIGHT OHG GROUP (600008) 172

OPTION - SAFETY LIGHT, AMBER FLASHING LIGHT OHG GROUP (600009) 174

OPTION - SAFETY LIGHT, AMBER STROBE LIGHT ENG CVR GROUP (600010). . . . 176

OPTION - SAFETY LIGHT, AMBER ROTATING LIGHT ENG CVR GROUP (600011) 178

OPTION - SAFETY LIGHT, AMBER FLASHING LIGHT ENG CVR GROUP (600012) 180

OPTION - CLOGGED FILTER INDICATOR GROUP (600013). 182

OPTION - FILTER SHAKER TIMER GROUP (600014). 184

OPTION - TIRE, ALL SOFT SHOE SOLID GROUP (600015). 186

OPTION - TIRE, FRONT SOFT SHOE SOLID, REAR PNEUMATIC GROUP (600016) 188

OPTION - TIRE, ALL NON-MARKING SOLID GROUP (600017) 190

OPTION - OVERHEAD GUARD (OHG) GROUP (600019) 192

OPTION - AUTO DIESEL SHUTDOWN GROUP (600020) 194

OPTION - VACUUM WAND GROUP - PAGE 1 (600021) 196

OPTION - VACUUM WAND GROUP - PAGE 2 (600021) 198

OPTION - SEAT BELT, SUSPENSION SEAT GROUP (600022) 200

OPTION - LOW LPG INDICATOR GROUP (600023) 202

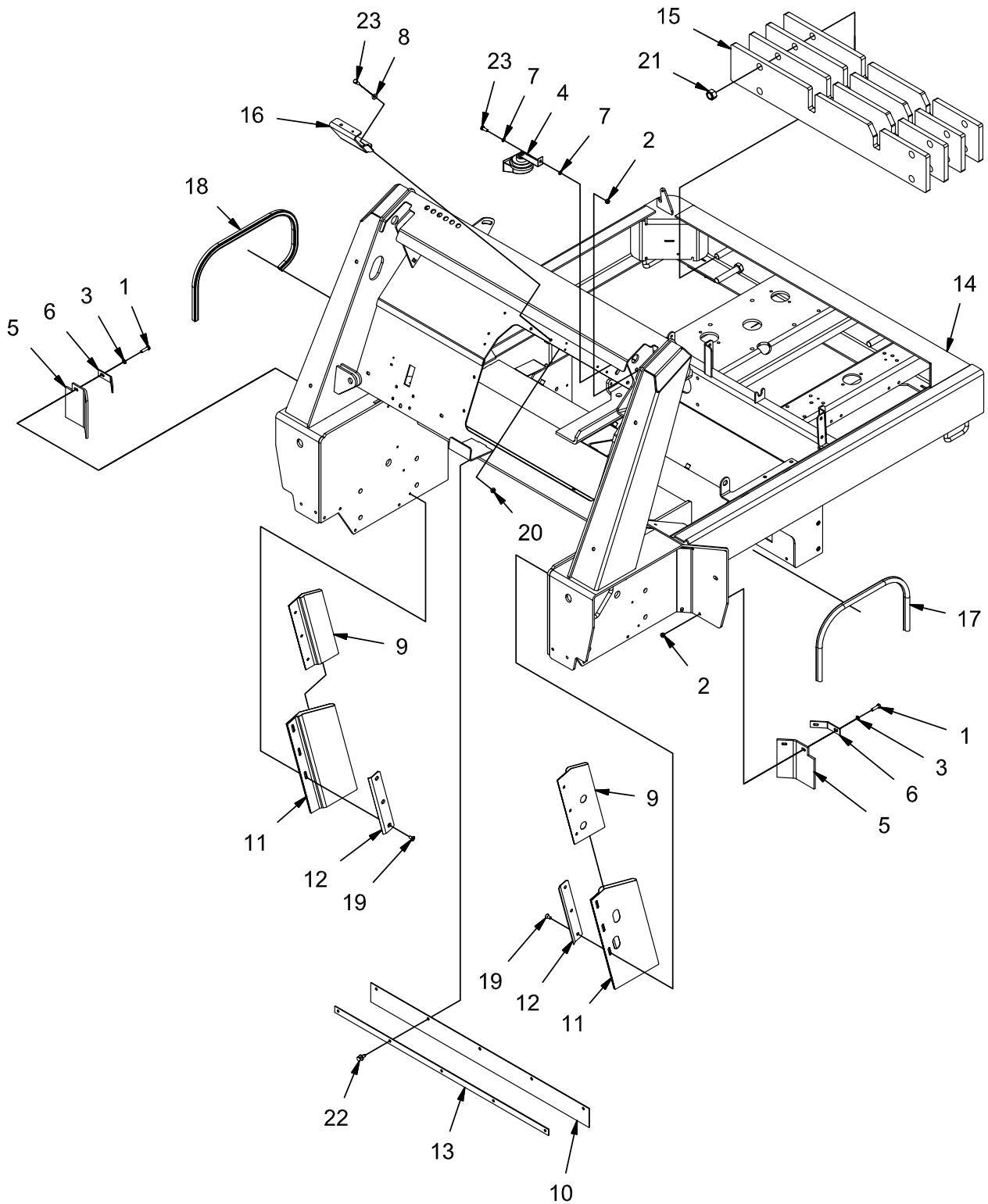
OPTION - SIDE BROOM LIGHT GROUP (600025). 204

OPTION - TURN SIGNAL AND 4 WAY FLASHER GROUP - PAGE 1 (600026) 206
OPTION - TURN SIGNAL AND 4 WAY FLASHER GROUP - PAGE 2 (600026) 208
OPTION - BRAKE LIGHTS GROUP (600027) 210
OPTION - FIRE EXTINGUISHER GROUP (600028) 212
OPTION - HEAVY DUTY AIR CLEANER GROUP - DIESEL (600029) 214
OPTION - HEAVY DUTY AIR CLEANER GROUP - GAS (600038) 216
OPTION - HEAVY DUTY AIR CLEANER GROUP - LPG (600039) 218
OPTION - SEAT BELT, STANDARD SEAT GROUP (600030) 220
OPTION - AIR TUBE VALVE GROUP (600037) 222
OPTION - STANDARD HOPPER WITH RHINO LINING GROUP (600390-R) 224
OPTION - DUAL SIDE BROOM HOPPER WITH RHINO LINING GROUP (600841-R) 226
LAYOUTS - ELECTRICAL/HYDRAULIC 228
ATLAS ELECTRICAL SCHEMATIC LAYOUT - DIESEL 228
ATLAS ELECTRICAL SCHEMATIC LAYOUT - GAS & LPG 230
ATLAS HYDRAULIC SYSTEM LAYOUT 232
ATLAS HYDRAULIC SYSTEM LAYOUT WITH DUAL SIDE BROOM 233
NOTES 234
WARRANTY 235

THIS PAGE INTENTIONALLY LEFT BLANK

NOTES

PARTS BREAKDOWN
FRAME GROUP 1 (600680)

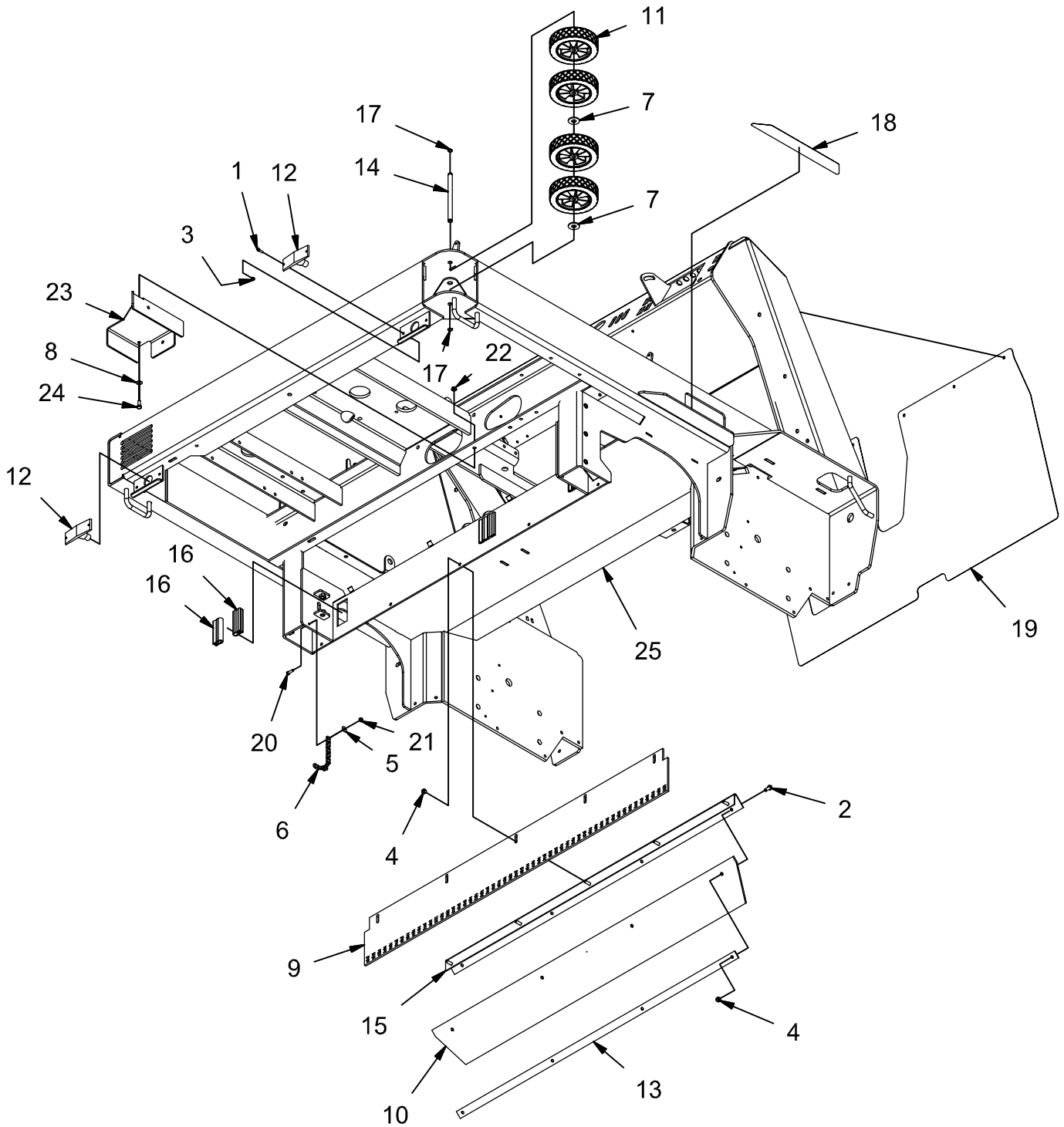


REV B

FRAME GROUP 1 (600680)

Parts List			
ITEM	PART NUMBER	QTY	DESCRIPTION
1	11038254	4	BOLT, M8-125 X 30 HH
2	12040259	5	NUT, M8-1.25 ESN SS
3	12310041	4	WASHER, M8
4	3300379	1	HORN, 12V
5	3307286	2	FLAP, BROOM CHAMBER CORNER
6	3307287	2	STRAP, BROOM CORNER FLAP
7	3400273	2	WASHER, STAR, .31, INT. ZP
8	3400384	2	WASHER, 5/16 BELLEVILLE
9	600221	2	SKIRT, SUPPORT
10	600222	1	SKIRT, MB CHAMBER TOP
11	600223	2	SKIRT, WHEEL WELL
12	600251	2	RETAINER, WHEEL WELL SKIRT
13	600288	1	RETAINER, BC TOP SEAL
14	600412-1	1	WELDMENT, FRAME
15	600511	4	COUNTERWEIGHT
16	600821	1	CHANNEL, CLAMP STAND
17	600901	1	SEAL, BROOM DOOR, LH
18	600902	1	SEAL, BROOM DOOR, RH
19	600916	6	SCREW, M8-1.25 X 16 FHMS SS
20	600934	2	NUT, M8-1.25 FLNG
21	600935	4	NUT, M20-2.50 ESN
22	600965	5	FASTENER, PRESS-IN
23	717024	3	BOLT, M8-1.25 X 20 HH

FRAME GROUP 2 (600680)

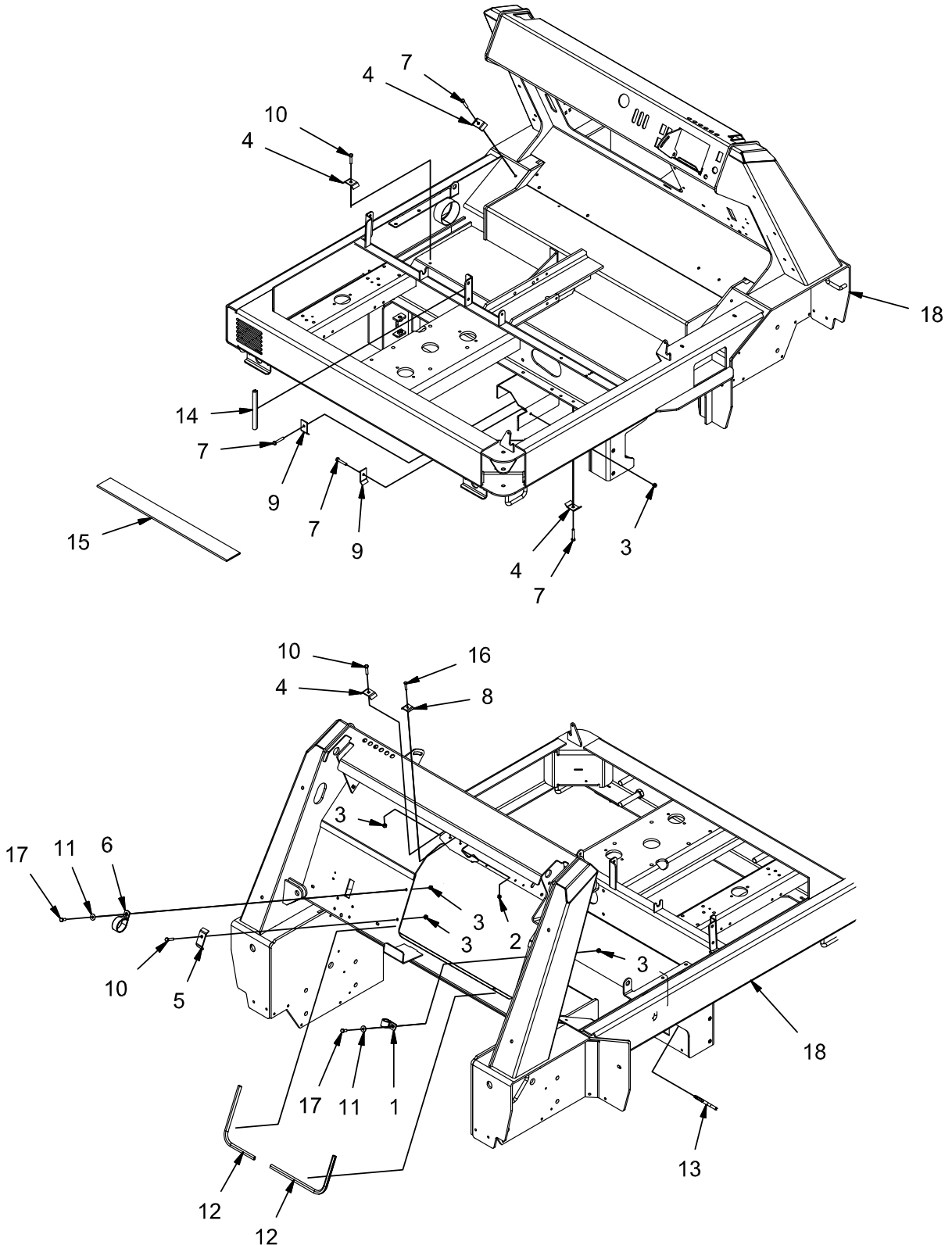


REV B

FRAME GROUP 2 (600680)

Parts List - 600680			
ITEM	PART NUMBER	QTY	DESCRIPTION
1	11038049	4	BOLT, M5-0.8 X 16 HHB
2	11039567	4	BOLT, M8-125 X 25 HH SS
3	12040036	4	NUT, M5 - 0.8 ESN
4	12040259	9	NUT, M8-1.25 ESN SS
5	12332011	1	WASHER, FENDER, M6
6	3307658	1	CHAIN, GROUND
7	3400086	2	WASHER, 1/2, 1.063 X .531 X .094
8	3400384	2	WASHER, 5/16 BELLEVILLE
9	600224	1	SKIRT, REAR
10	600225	1	SKIRT, RECIRC
11	600258	4	TIRE, 6 X 1.5
12	600514-1	2	ASSEMBLY, TAIL LIGHT
13	600515	1	STRAP, RECIRCULATING FLAP
14	600516	1	SHAFT, ROLLER
15	600517	1	WELDMENT, REAR SKIRT RETAINER
16	600565	6	SEAL, MB ARM
17	600569	2	RETAINING RING, EXT .50 HD
18	600814	1	PAD, STEP
19	600816	1	SHIELD, RUBBER
20	600913	1	BOLT, M6-100 X 20 HH SS
21	600933	1	NUT, M6-1.00 ESN SS
22	600934	2	NUT, M8-1.25 FLNG
23	600999	1	SUPPORT, WM HOSE
24	717024	2	BOLT, M8-1.25 X 20 HH
25	REF.	-	WELDMENT, FRAME

CLAMP - HOSE GROUP 1 (600860)

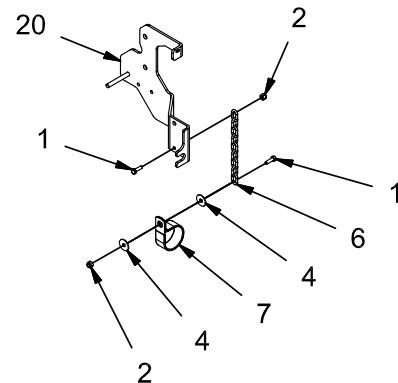
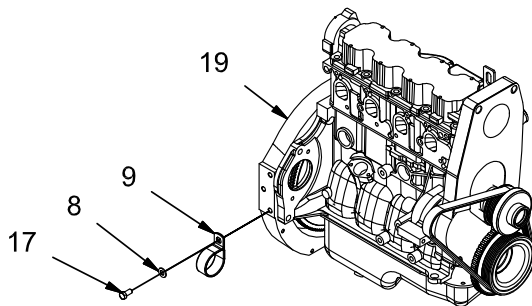
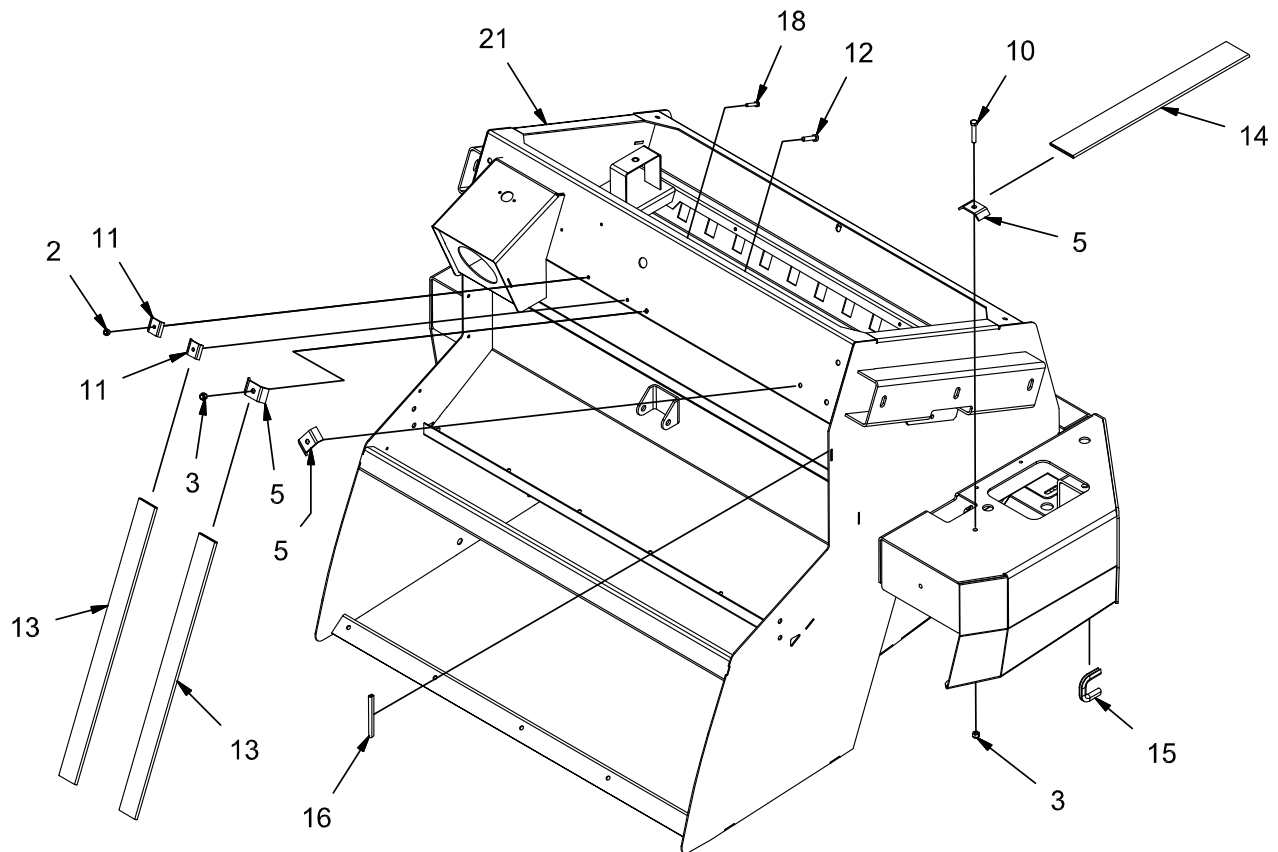


REV B

CLAMP - HOSE GROUP 1 (600860)

Parts List			
ITEM	PART NUMBER	QTY	DESCRIPTION
1	3400999	1	CLAMP, HOSE
2	12040044	1	NUT, M6-1.00 ESN
3	12040051	9	NUT, M8-1.25 ESN
4	3301437	4	RETAINER, HOSE, SYM, 8
5	3305398	1	RETAINER, HOSE, OFFSET, 8
6	3402005	1	CLAMP, 2"
7	600820	4	BOLT, M8-1.25 X 45 HH
8	600822	1	RETAINER, HOSE, SYM, 6
9	600823	2	RETAINER, HOSE, OFFSET, 8
10	600918	3	BOLT, M8-1.25 X 35 HH
11	600940	2	WASHER, M8 FENDER
12	620038	2	EDGING, 3/16 X 15.0"
13	620039	1	EDGING, 3/16 X 5.75"
14	620040	1	EDGING, 5/16 X 7.0"
15	620043	1	SLEEVE, AS-B-33 X 28.0"
16	717021	1	BOLT, M6-1.00 X 30 HH
17	717024	2	BOLT, M8-1.25 X 20 HH
18	REF	-	WELDMENT, FRAME

CLAMP - HOSE GROUP 2 (600860)

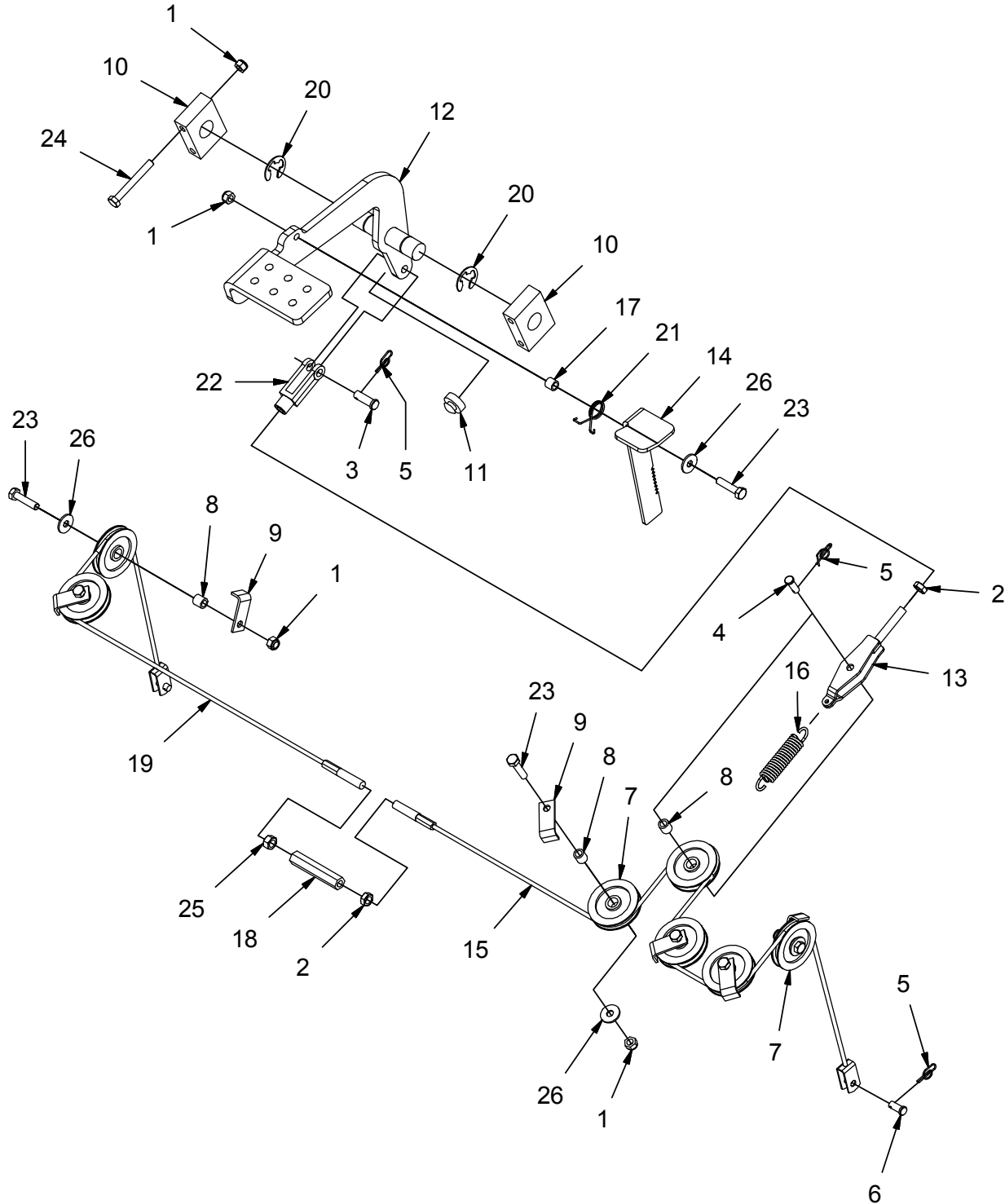


REV B

CLAMP - HOSE GROUP 2 (600860)

Parts List			
ITEM	PART NUMBER	QTY	DESCRIPTION
1	11038098	2	BOLT, M6-100 X 20 HH
2	12040044	4	NUT, M6-1.00 ESN
3	12040051	3	NUT, M8-1.25 ESN
4	12347027	2	WASHER, M6 FENDER
5	3301437	3	RETAINER, HOSE, SYM, 8
6	3307658	1	CHAIN, GROUND
7	3343539	1	CLAMP, 2"
8	3400385	1	WASHER, 3/8. BELLEVILLE
9	3402005	1	CLAMP, 2"
10	600820	1	BOLT, M8-1.25 X 45 HH
11	600822	2	RETAINER, HOSE, SYM, 6
12	600918	2	BOLT, M8-125 X 35 HH
13	620041	2	SLEEVE, AS-B-17 X 24.5"
14	620042	1	SLEEVE, AS-B-27 X 20.0"
15	620046	1	EDGING, 3/16 X 4.75"
16	620120	1	EDGING, 4"
17	713041	1	SCREW, 3/8-16 X .750 HHC
18	717021	2	BOLT, M6-100 X 30 HH
19	REF	-	ENGINE
20	REF	-	CAM MOUNT
21	REF	-	HOPPER

BRAKE GROUP (600688)

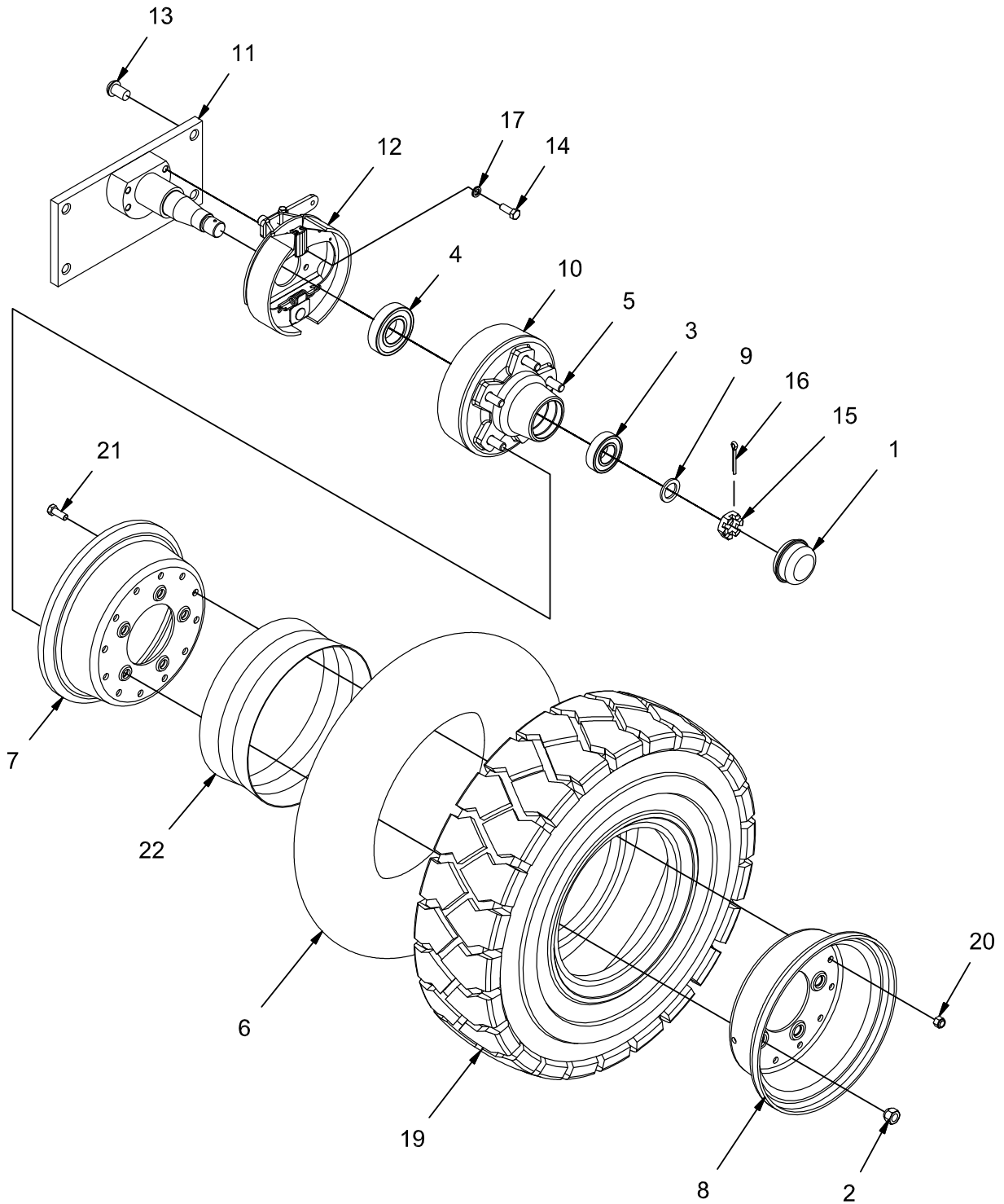


REV B

BRAKE GROUP (600688)

Parts List			
ITEM	PART NUMBER	QTY	DESCRIPTION
1	12040051	11	NUT, M8-1.25 ESN
2	3400075	2	NUT, HEX JAM 3/8-24
3	3400117	1	PIN, CLEVIS 3/8 X 1.125
4	3400118	1	PIN, CLEVIS, .313 X .88
5	3400125	4	RUE-RING, .375
6	450034	2	PIN, CLEVIS, .313 X .75
7	600113	7	PULLEY, .50 B, 2.00 D, .44 T
8	600114	7	SPACER, .328 B .498 OD .500 T
9	600115	6	RETAINER, CABLE
10	600116	2	BLOCK, BRAKE PIVOT
11	600117	1	BUMPER, 1.00 X .339 T
12	600118	1	WELDMENT, BRAKE PEDAL
13	600121	1	CLEVIS, BRAKE PULLEY
14	600124	1	PEDAL, PARKING BRAKE
15	600126	1	CABLE, BRAKE, RH
16	600127	1	SPRING, EXT, .105 W .75 OD 3.50 L
17	600315	1	SPACER, .344 B .485 OD .425 T
18	600338	1	TURNBUCKLE, .375
19	600339	1	CABLE, BRAKE, LH
20	600570	2	E-RING, .88
21	600809	1	SPRING, TORSION
22	600813	1	CLEVIS, 3/8-24
23	600918	7	BOLT, M8-1.25 X 35 HH
24	600921	4	BOLT, M8-1.25 X 65 HH
25	600938	1	NUT, 3/8-24 LH
26	600940	7	WASHER, M8 FENDER

FRONT WHEEL GROUP (600687)

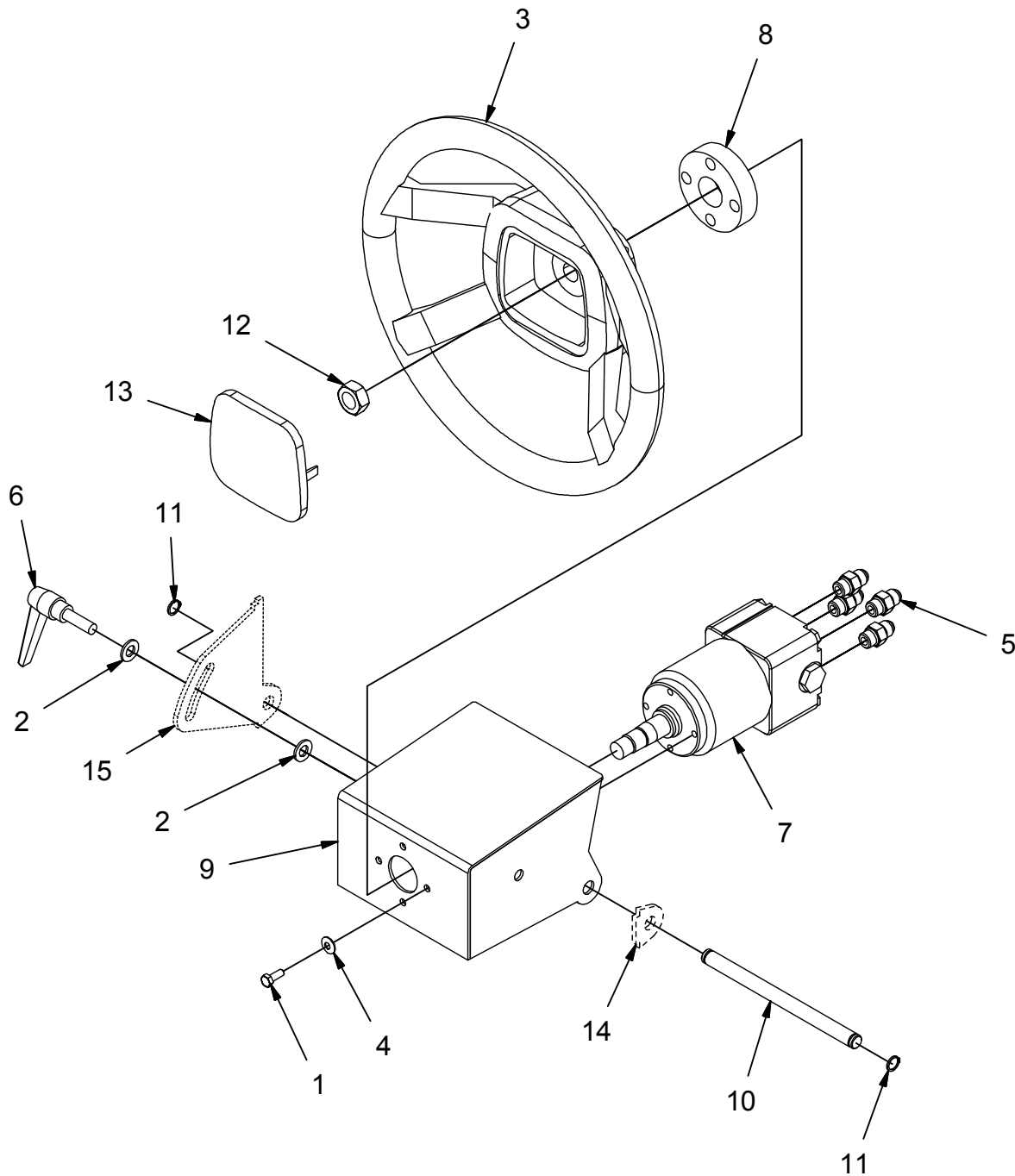


REV A

FRONT WHEEL GROUP (600687)

Parts List			
ITEM	PART NUMBER	QTY	DESCRIPTION
1	3300369	2	GREASE CAP
2	3300411	10	NUT, LUG
3	3300467	2	BEARING, BALL, 6206-2RS
4	3307238	2	BEARING, BALL, 6208-2RS
5	3307242	10	STUD, WHEEL
6	620651	2	TUBE 650-10 WITH ANGLED STEM
7	3307254-W	2	RIM, FRONT INNER, SW/A PNTD WHITE
8	3307255-W	2	RIM, FRONT OUTER, SW/A PNTD WHITE
9	3307352	2	WASHER
10	3318288	2	HUB, MACHINED
11	3334058	2	WELDMENT, SPINDLE
12	3334059	2	ASSEMBLY, BRAKE, RH-LH
13	3400006	8	SCREW, 5/8-11 x 1.00 BUTTON HD CAP
14	3400030	8	SCREW, HEX, 3/8-16 X 1.00 ZP
15	3400076	2	NUT, SLOTTED 1-14
16	3400120	2	PIN, COTTER 3/16 X 1.50 ZP
17	3401570-9	8	WASHER, NORD-LOCK, 3/8 ZP
18	600387	-	ASSEMBLY, TIRE, 650-10
19	600904	2	TIRE, PNEUMATIC, 650-10 (23.2" T-800)
20	711380	24	NUT, FIBER INSERT 3/8-16
21	713042	24	SCREW, 3/8-16 X 1.000 HHC
22	PART OF 3307254/5-W	2	LINER, FRONT

STEERING COLUMN GROUP (600682)

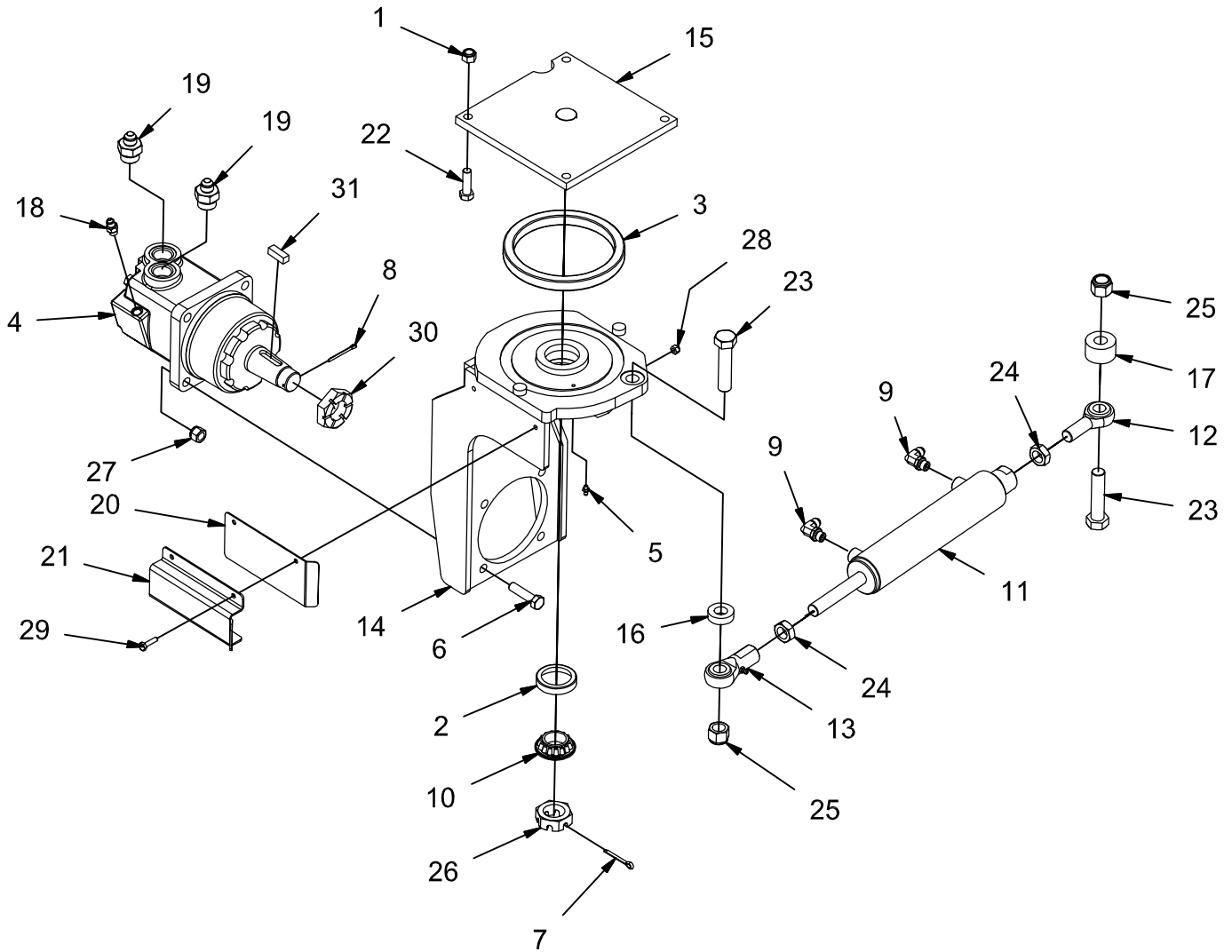


REV *

STEERING COLUMN GROUP (600682)

Parts List			
ITEM	PART NUMBER	QTY	DESCRIPTION
1	11038072	4	BOLT, M6-100 X 16 HH
2	12310058	2	WASHER, M10
3	3338215	1	STEERING WHEEL
4	3400383	4	WASHER, 1/4 BELLEVILLE
5	3400635	4	FITTING, STR, 6 JIC - 6 O-RING
6	600260	1	KNOB, LEVER
7	600368	1	STEERING UNIT
8	600389	1	STEERING RING
9	600465	1	WELDMENT, STEERING MNT
10	600516	1	SHAFT, ROLLER
11	600569	2	RETAINING RING, EXT .50 HD
12	620057	1	NUT, JAM, M16-1.50 STL ZP
13	PART OF 3338215	1	COVER, STEERING WHEEL
14	REF	1	FRAME
15	REF	1	FRAME

STEERING FORK GROUP (600690)

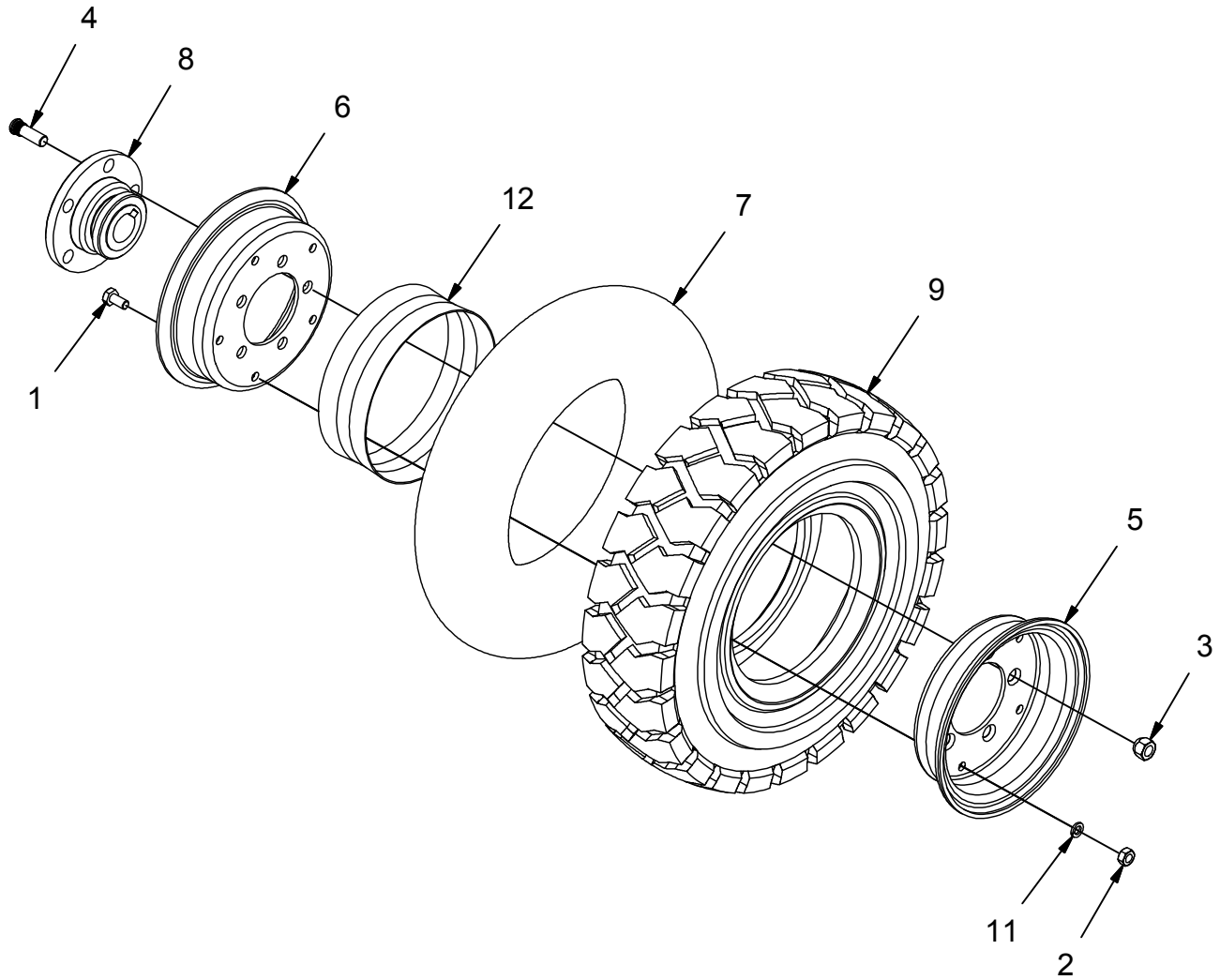


REV A

STEERING FORK GROUP (600690)

Parts List			
ITEM	PART NUMBER	QTY	DESCRIPTION
1	12040077	4	NUT-NYLOC M12-1.75 STL ZINC
2	3300470	1	BEARING, PIVOT BEARING - CUP
3	3300472	1	BEARING, PIVOT THRUST
4	3305108	1	MOTOR, HYD. WHEEL
5	3400012	1	GREASE ZIRK
6	3400020	4	BOLT, 1/2-13 X 2.00 HH
7	3400119	1	PIN, COTTER 3/16 X 1.50 ZP
8	3400122	1	COTTERPIN .125 X 2.00
9	3400153	2	FITTING, 90, 6 JIC - 6 O-RING
10	3300471	1	BEARING - CONE W/SEAL
11	600105	1	CYLINDER, STEERING
12	600177	1	ROD END, MALE, 3/4-16
13	600178	1	ROD END, FEM, 3/4-16 W/ZERK
14	600186	1	WELDMENT, FORK
15	600252	1	WELDMENT, FORK MNT
16	600328	1	SPACER, .766 B 1.50 OD .438 T
17	600329	1	SPACER, .766 B 1.75 OD 1.03T
18	600587	1	FITTING, STR, 4 JIC - 4 O-RING
19	600588	2	FITTING, STR, 8 JIC - 12 O-RING
20	600807	1	PLATE, HOSE GUIDE
21	600808	1	CLAMP, WM HOSE
22	600928	4	BOLT, M12-1.75 X 40 HH
23	600932	2	BOLT, 3/4-10 X 3.25 HH
24	600939	2	NUT, 3/4-16 JAM
25	620059	2	NUT, 3/4-10 FIBER INSERT STL ZP
26	620066	1	NUT, SLOTTED, 1-1/4-12
27	711376	4	NUT, FIBER INSERT 1/2-13
28	711377	2	NUT, FIBER INSERT 1/4-20
29	713003	2	SCREW, 1/4-20 X 1.00 HH
30	PART OF 3305108	1	NUT 1.25-18
31	PART OF 3305108	1	KEY .44 SQ X 1.25

REAR WHEEL GROUP (600689)

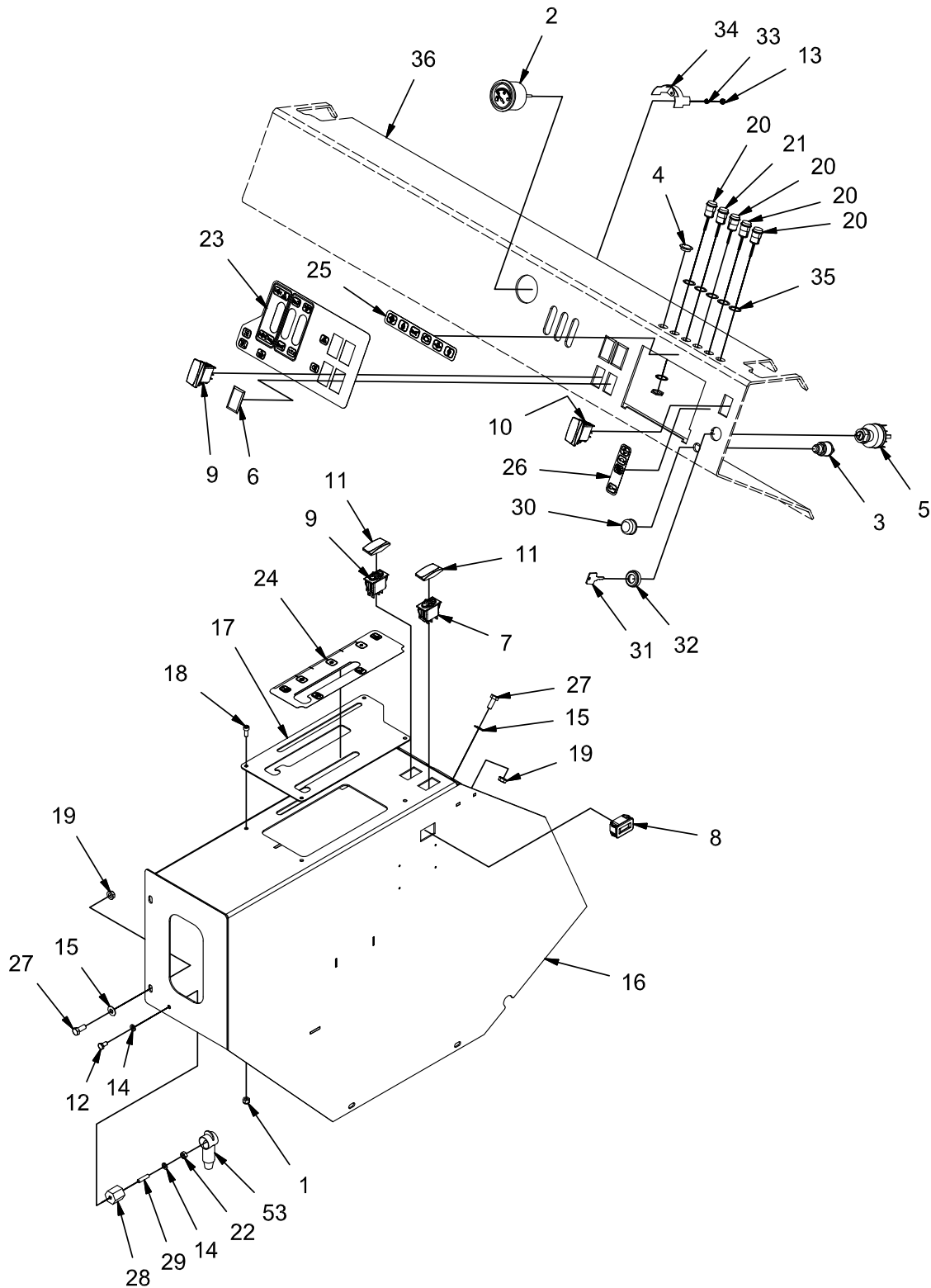


REV *

REAR WHEEL GROUP (600689)

Parts List			
ITEM	PART NUMBER	QTY	DESCRIPTION
1	11038353	5	BOLT, M10-1.50 X 20 HH
2	12022067	5	NUT, M10-1.50 HEX
3	3300411	5	NUT, LUG
4	3307348	5	STUD, WHEEL
5	600255	1	RIM, OUTER, 500-8
6	600256	1	RIM, INNER, 500-8
7	600257	1	TUBE, TIRE, 500-8
8	600335	1	HUB, REAR WHEEL
9	600336	1	TIRE, PNEUMATIC, 500-8
10	600388	-	ASSEMBLY, TIRE, 500-8
11	600945	5	LOCK WASHER, M10
12	PART OF 600255/6	1	LINER, REAR

INSTRUMENT PANEL GROUP - DIESEL (600611)

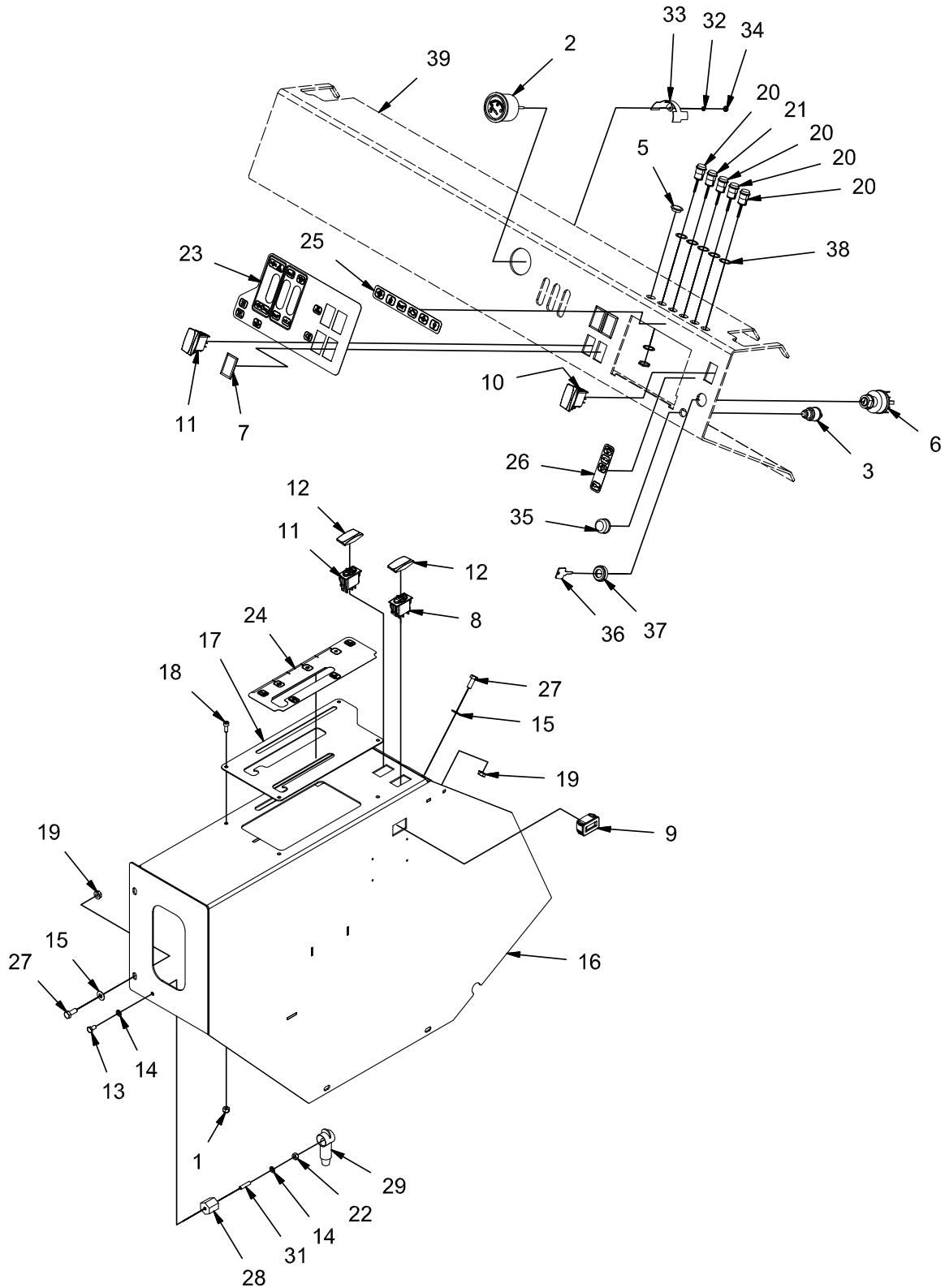


REV E

INSTRUMENT PANEL GROUP - DIESEL (600611)

Parts List			
ITEM	PART NUMBER	QTY	DESCRIPTION
1	12040044	4	NUT, M6-1.00 ESN
2	3300382	1	GAUGE, FUEL
3	3300441	1	SWITCH, MOMENTARY
4	3301669	1	COVER, HOLE
5	3316100	1	KEYSWITCH
6	3323529	3	COVER
7	3335114	1	SWITCH, MOMENTARY
8	3336094	1	HOUR METER
9	3342705	2	SWITCH, DPST
10	3343912	1	SWITCH, DPDT
11	3344038	2	SWITCH CAP
12	3400043	1	BOLT, 1/4-20 X .50 HH
13	3400073	2	NUT, #8-32
14	3400103	2	LOCK WASHER, 1/4 HS MED
15	3400384	4	WASHER, 5/16 BELLEVILLE
16	600474	1	WELDMENT, CONSOLE
17	600560	1	PLATE, WEAR
18	600912	4	BOLT, M6-1.00 X 16 AHCS
19	600934	4	NUT, M8-1.25 FLNG
20	620069-1	4	LIGHT ASSY, INDICATOR RED - LED
21	620070-1	1	LIGHT ASSY, INDICATOR AMBER - LED
22	711316	1	NUT, HEX 1/4-20 ZINC PL
23	715922	1	DECAL, VALVE, ATLAS
24	715934	1	DECAL, BROOMS, ATLAS
25	715936	1	DECAL, WARNING LIGHTS, ATLAS
26	715941	1	DECAL, DIESEL, ATLAS
27	717024	4	BOLT, M8-1.25 X 20 HH
28	740132	1	PLASTIC INSULATOR
29	833638	1	1/4-20 STUD, BRASS
30	PART OF	1	CAP, HORN SWITCH
31	PART OF 3316100	1	KEY
32	PART OF 3316100	1	NUT, KEYSWITCH
33	PART OF 600542	2	LOCKWASHER, EXT #8
34	PART OF 600542	1	RETAINER, GAUGE
35	REF	5	SEAL FOR LED
36	REF.	-	FRAME
-	3301345-1	1	WIRE ASSY, FUEL GAUGE LIGHT
-	748936	1	HARNESS, FUEL GAUGE
53	742740	1	TERMINAL INSULATOR, RED

INSTRUMENT PANEL GROUP - GAS (600636)

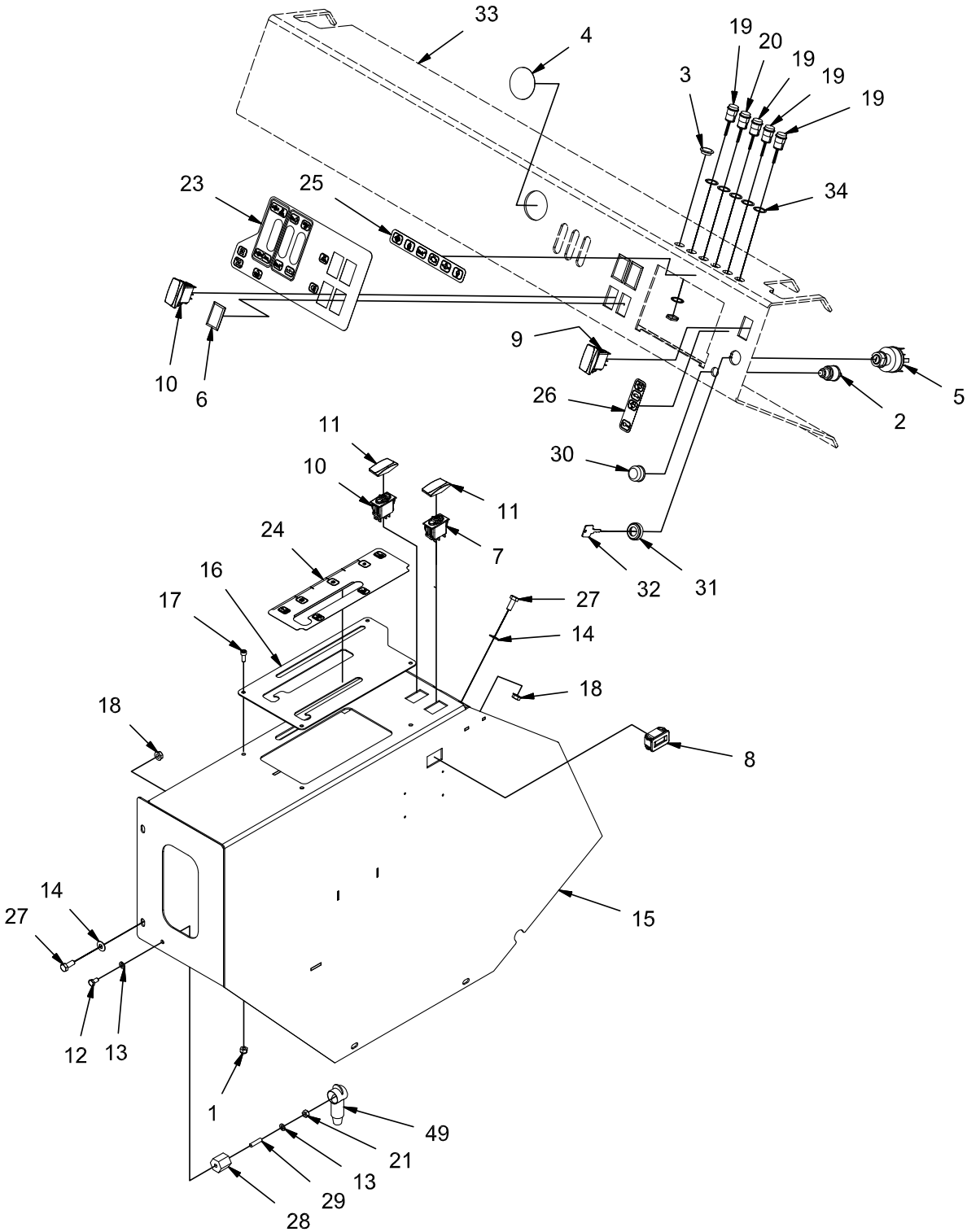


REV F

INSTRUMENT PANEL GROUP - GAS (600636)

Parts List			
ITEM	PART NUMBER	QTY	DESCRIPTION
1	12040044	4	NUT, M6-1.00 ESN
2	3300382	1	GAUGE, FUEL
3	3300441	1	SWITCH, MOMENTARY
4	3301345-1	1	WIRE ASSY, FUEL GAUGE LIGHT
5	3301669	1	COVER, HOLE
6	3316100	1	KEYSWITCH
7	3323529	3	COVER
8	3335114	1	SWITCH, MOMENTARY
9	3336094	1	HOUR METER
10	3342703	1	SWITCH, 3-POSITION
11	3342705	2	SWITCH, DPST
12	3344038	2	SWITCH CAP
13	3400043	1	BOLT, 1/4-20 X .50 HH
14	3400103	2	LOCK WASHER, 1/4 HS MED
15	3400384	4	WASHER, 5/16 BELLEVILLE
16	600474	1	WELDMENT, CONSOLE
17	600560	1	PLATE, WEAR
18	600912	4	BOLT, M6-1.00 X 16 AHCS
19	600934	4	NUT, M8-1.25 FLNG
20	620069-1	4	LIGHT ASSY, INDICATOR RED - LED
21	620070-1	1	LIGHT ASSY, INDICATOR AMBER - LED
22	711316	1	NUT, HEX 1/4-20 ZINC PL
23	715922	1	DECAL, VALVE, ATLAS
24	715934	1	DECAL, BROOMS, ATLAS
25	715936	1	DECAL, WARNING LIGHTS, ATLAS
26	715937	1	DECAL, ENGINE, ATLAS
27	717024	4	BOLT, M8-1.25 X 20 HH
28	740132	1	PLASTIC INSULATOR
29	742740	1	TERMINAL INSULATOR, RED
30	748936	1	HARNESS, FUEL GAUGE
31	833638	1	1/4-20 STUD, BRASS
32	PART OF 3300382	2	LOCKWASHER, EXT #8
33	PART OF 3300382	1	RETAINER, GAUGE
34	PART OF 3300382	2	NUT, #8-32
35	PART OF 3300441	1	CAP, HORN SWITCH
36	PART OF 3316100	1	KEY
37	PART OF 3316100	1	NUT, KEYSWITCH
38	PART OF LED	5	SEAL FOR LED INDICATOR LIGHT
39	REF.	-	FRAME

INSTRUMENT PANEL GROUP - LPG (600700)

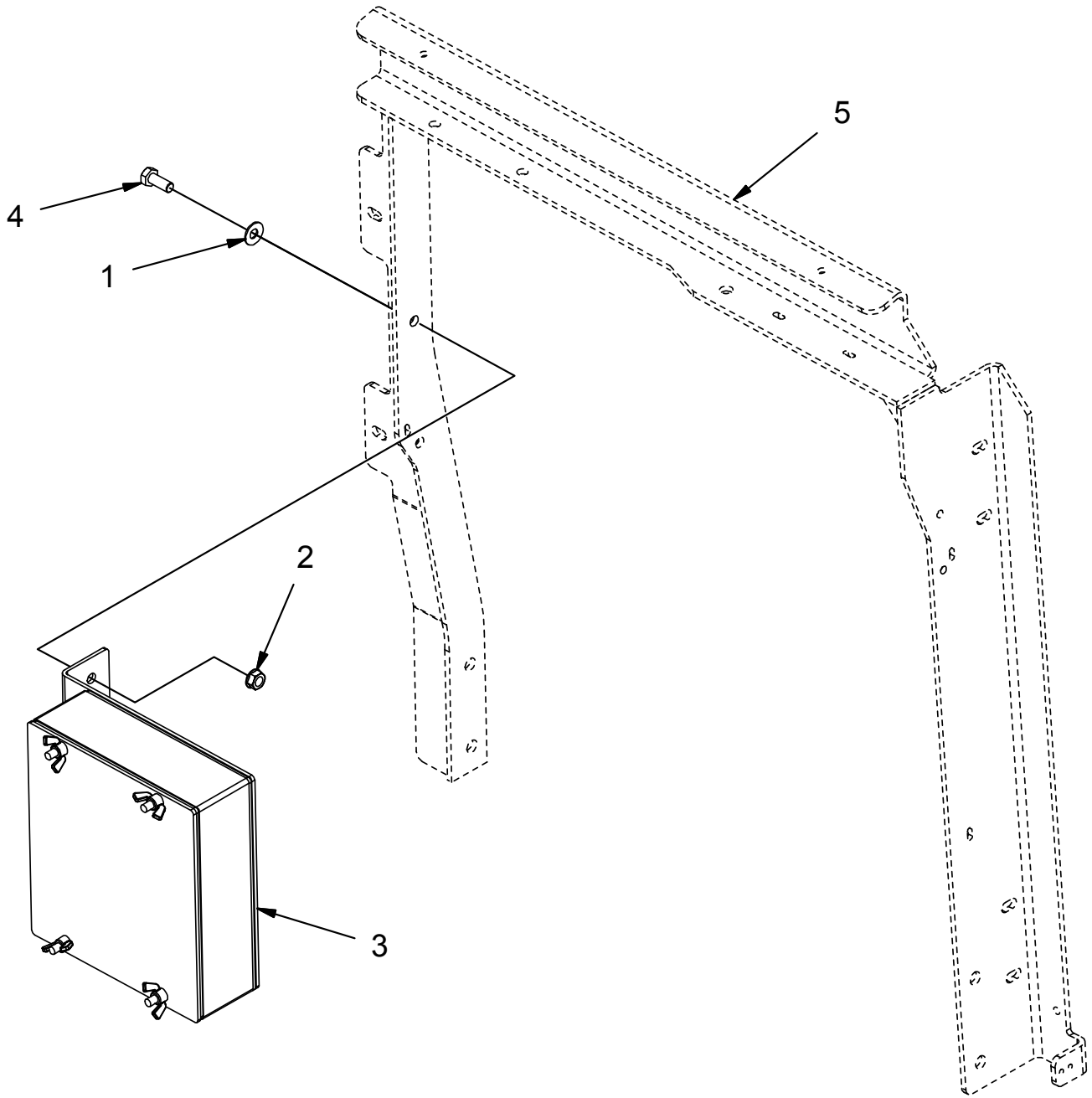


REV D

INSTRUMENT PANEL GROUP - LPG (600700)

Parts List 600700			
ITEM	PART NUMBER	QTY	DESCRIPTION
1	12040044	4	NUT, M6-1.00 ESN
2	3300441	1	SWITCH, MOMENTARY
3	3301669	1	COVER, HOLE
4	3301822	1	PLUG, PLASTIC, 2.00
5	3316100	1	KEYSWITCH
6	3323529	3	COVER
7	3335114	1	SWITCH, MOMENTARY
8	3336094	1	HOUR METER
9	3342703	1	SWITCH, 3-POSITION
10	3342705	2	SWITCH, DPST
11	3344038	2	SWITCH CAP
12	3400043	1	BOLT, 1/4-20 X .50 HH
13	3400103	2	LOCK WASHER, 1/4 HS MED
14	3400384	4	WASHER, 5/16 BELLEVILLE
15	600474	1	WELDMENT, CONSOLE
16	600560	1	PLATE, WEAR
17	600912	4	BOLT, M6-1.00 X 16 AHCS
18	600934	4	NUT, M8-1.25 FLNG
19	620069-1	4	LIGHT ASSY, INDICATOR RED - LED
20	620070-1	1	LIGHT ASSY, INDICATOR AMBER - LED
21	711316	1	NUT, HEX 1/4-20 ZINC PL
23	715922	1	DECAL, VALVE, ATLAS
24	715934	1	DECAL, BROOMS, ATLAS
25	715936	1	DECAL, WARNING LIGHTS, ATLAS
26	715937	1	DECAL, ENGINE, ATLAS
27	717024	4	BOLT, M8-1.25 X 20 HH
28	740132	1	PLASTIC INSULATOR
29	833638	1	1/4-20 STUD, BRASS
30	PART OF 3300441	1	CAP, HORN SWITCH
31	PART OF 3316100	1	NUT, KEYSWITCH
32	PART OF 3316100	1	KEY
33	REF	-	FRAME
34	REF	5	SEAL FOR LED INDICATOR LIGHT
49	742740	1	TERMINAL INSULATOR, RED

ELECTRICAL GROUP - DIESEL (600612)

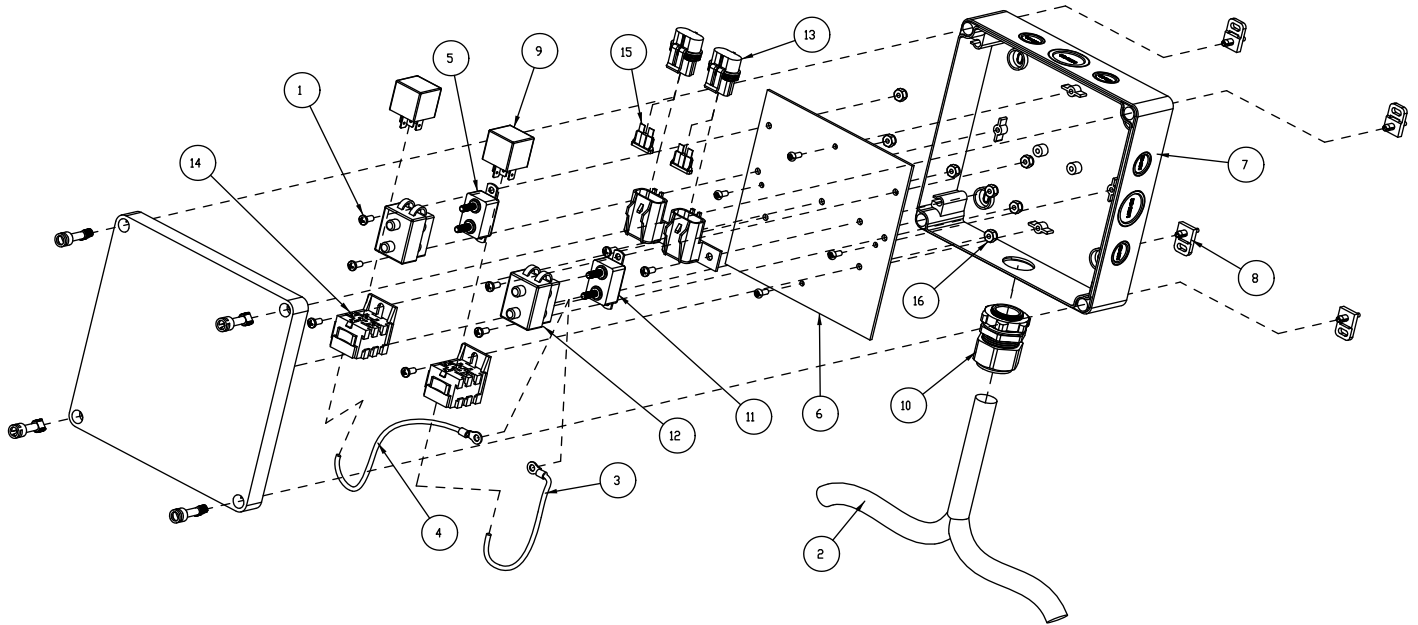


REV *

ELECTRICAL GROUP - DIESEL (600612)

Parts List			
ITEM	PART NUMBER	QTY	DESCRIPTION
1	3400384	2	WASHER, 5/16 BELLEVILLE
2	600934	2	NUT, M8-1.25 FLNG
3	620060	1	CONTROL BOX - DIESEL
4	717024	2	BOLT, M8-1.25 X 20 HH
5	REF.	-	COVER FRAME

DIESEL CONTROL BOX (748769)

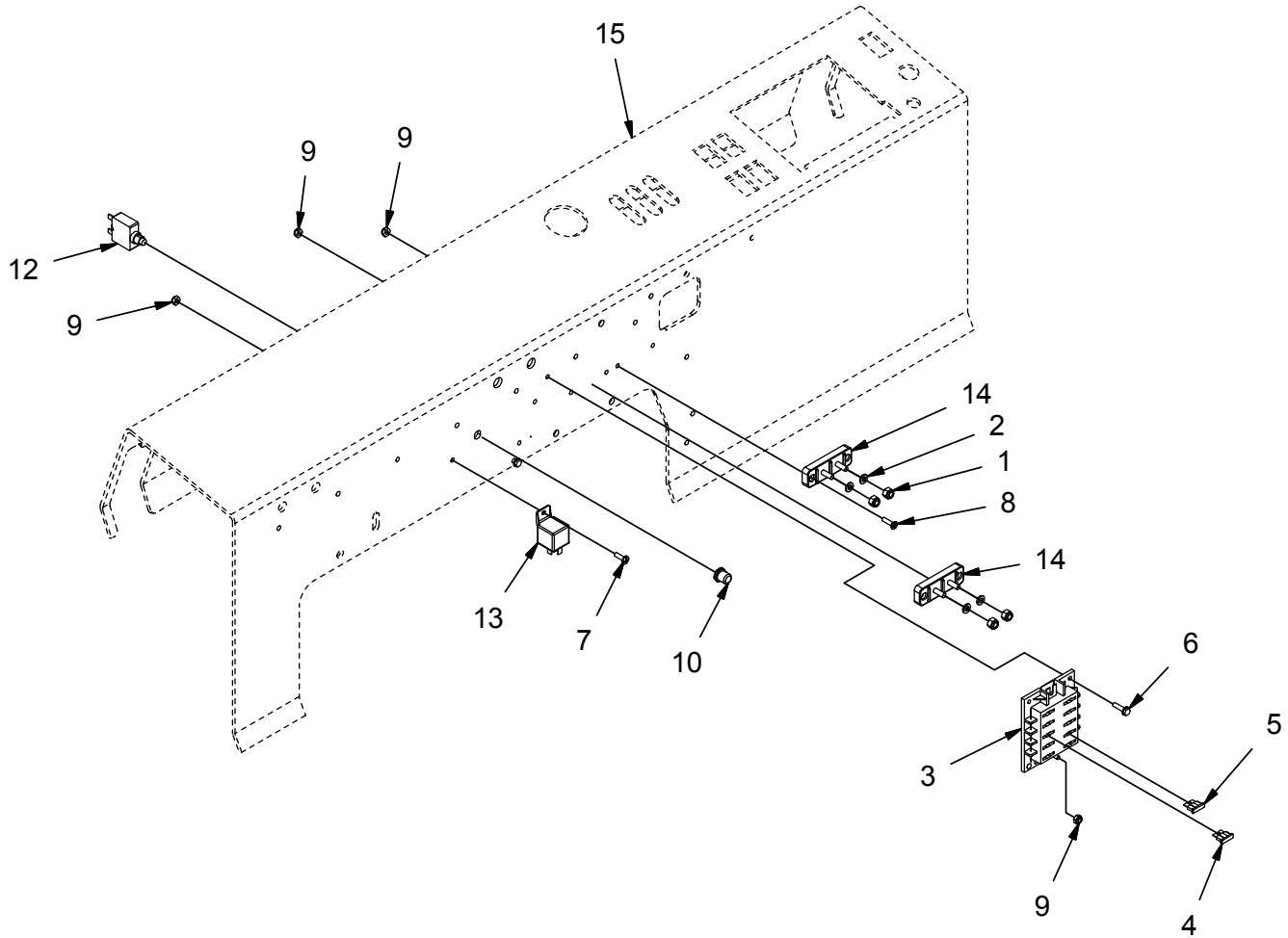


REV *

DIESEL CONTROL BOX (748769)

BILL OF MATERIAL			
ITEM	PART NO.	REQ'D	DESCRIPTION
1	710328	8	SCR-MC RD HD 8-32X.37 STL
2	748447	1	WIRING HARNESS, KUBOTA DSL CONTROL BOX
3	748447-1	1	WIRE ASY, ORANGE
4	748447-2	1	WIRE ASY, YELLOW
5	748762	1	CIRCUIT BREAKER, 12V 50A
6	748763-MCH	1	MOUNTING PLATE, MACHINED
7	748764	1	ENCLOSURE, W/ METRIC KNOCKOUTS
8	748765	4	MTI, MOUNTING TAB
9	748767	2	RELAY, 14VDC 50/30 A
10	748768	1	CORDGRIP, M25, LIQUID TIGHT
11	748962	1	CIRCUIT BREAKER, 12V 40A
12	748963	2	CIRCUIT BREAKER BOOT
13	748964-1	2	ASSY, FUSE HOLDER
14	748967	2	SOCKET, RELAY
15	3335329	2	FUSE-10 AMP AUTOMOTIVE
16	3400082	8	NUT-HEX #8-32 ES ZP

ELECTRICAL GROUP - GAS & LPG (600880)

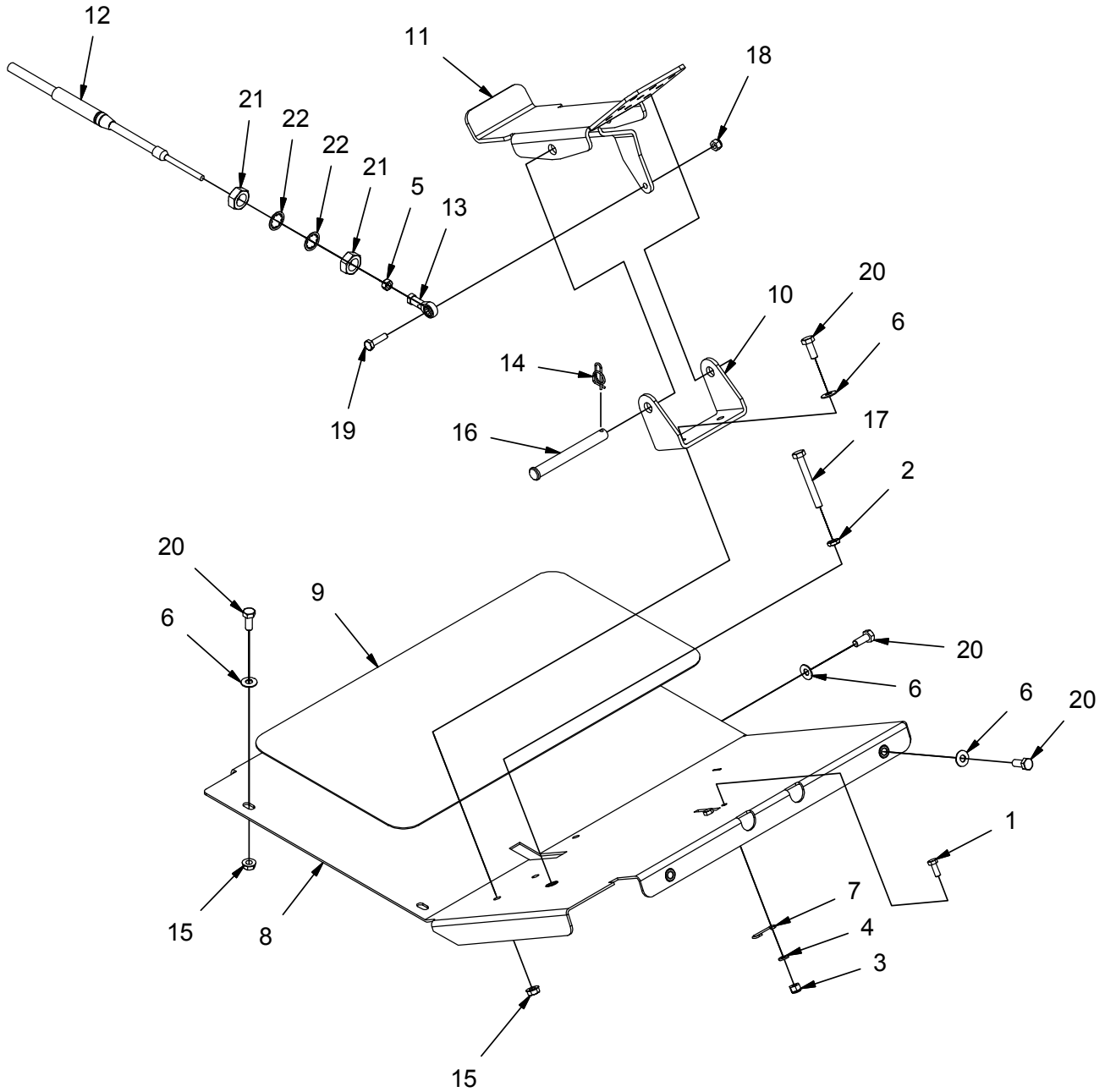


REV *

ELECTRICAL GROUP - GAS & LPG (600880)

INSTRUMENT PANEL - FUSES, CIRCUIT BREAKER, AND TERMINAL BLOCK			
ITEM	PART NO.	REQ'D	DESCRIPTION
1	12040044	4	NUT, M6-1.00 ESN
2	12310033	4	WASHER, M6
3	3322599-2	1	FUSE BLOCK
4	3322601	6	FUSE, 15A
5	3335329	4	FUSE, 10A
6	3400044	1	SCR-HEX,#10-32X0.75 ZP
7	3400204	2	SCR-PAN,#10-32X0.62,PHL ZP
8	710556	4	SCREW, FHMS, 10-32 X .75 ZP
9	711350	8	NUT, 10-32, ESN
10	742748	1	BOOT, CIRCUIT BREAKER
11	748900	1	HARNESS, MAIN
12	748904	1	CIRCUIT BREAKER, 40A
13	90264672	1	RELAY
14	90286238	2	TERMINAL BLOCK
15	REF.	-	FRAME

DIRECTIONAL CONTROL GROUP (600681)

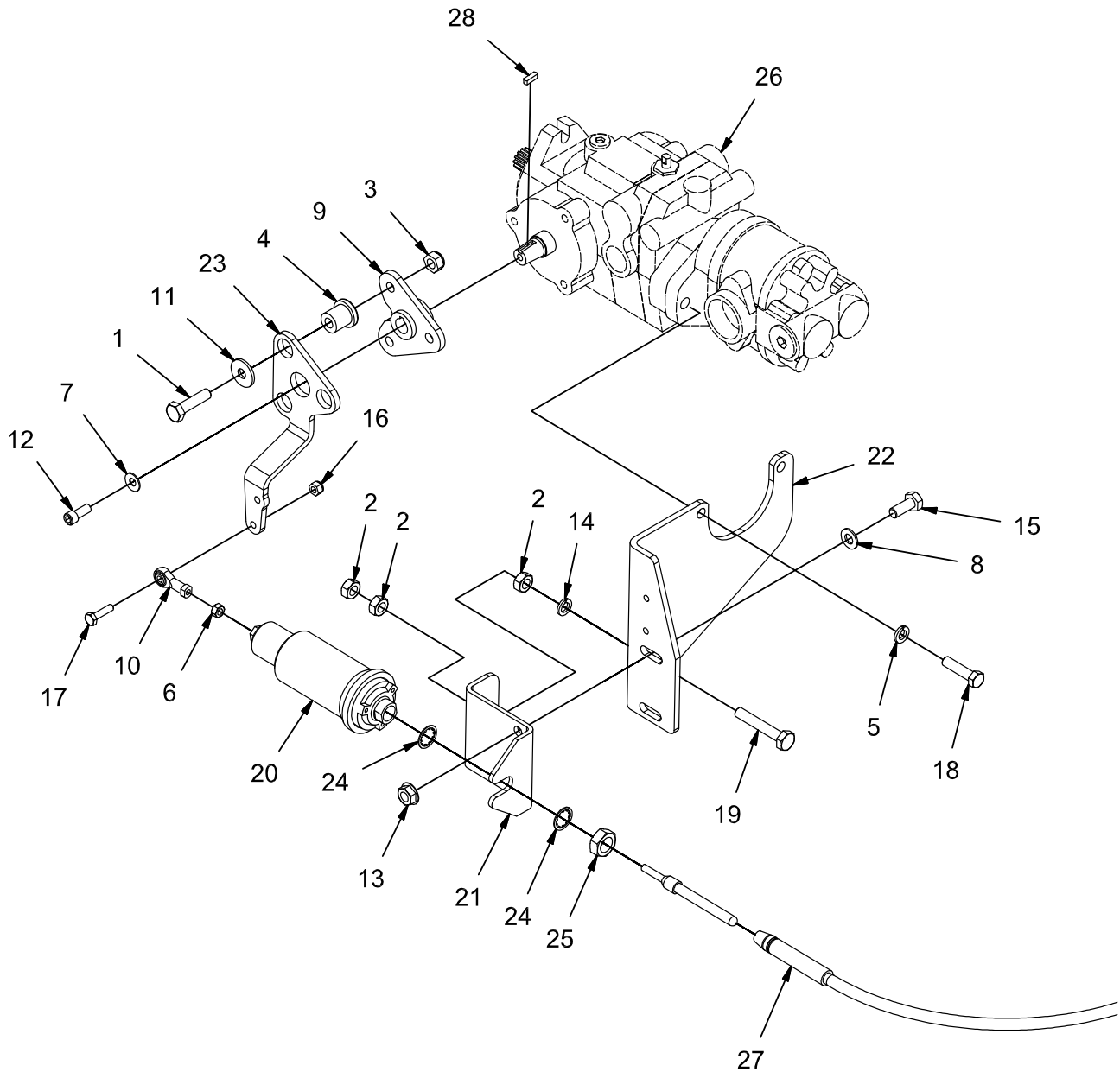


REV *

DIRECTIONAL CONTROL GROUP (600681)

Parts List			
ITEM	PART NUMBER	QTY	DESCRIPTION
1	11038072	2	BOLT, M6-100 X 16 HH
2	12012019	1	NUT, M8-1.25 JAM
3	12040044	2	NUT, M6-1.00 ESN
4	12310033	2	WASHER, M6
5	3400180	1	NUT, 1/4-28
6	3400384	8	WASHER, 5/16 BELLEVILLE
7	600125	1	CATCH, PARKING BRAKE
8	600128-1	1	WELDMENT, FLOOR
9	600133	1	PAD, FLOOR
10	600134	1	BRACKET, F/R PEDAL
11	600135	1	PEDAL, F/R
12	600136	1	CABLE, DIR CONTROL
13	600175	1	ROD END, FEM 1/4-28
14	600578	1	RUE-RING, .50
15	600934	4	NUT, M8-1.25 FLNG
16	620027	1	PIN, CLEVIS 1/2 X 4.50
17	620033	1	BOLT, M8-1.25 X 65 HH
18	711377	1	NUT, FIBER INSERT 1/4-20
19	713003	1	SCREW, 1/4-20 X 1.00 HH
20	717024	8	BOLT, M8-1.25 X 20 HH
21	PART OF 600136	2	NUT, 5/8-18 JAM
22	PART OF 60136	2	LOCK WASHER

PUMP LINKAGE GROUP (600608)

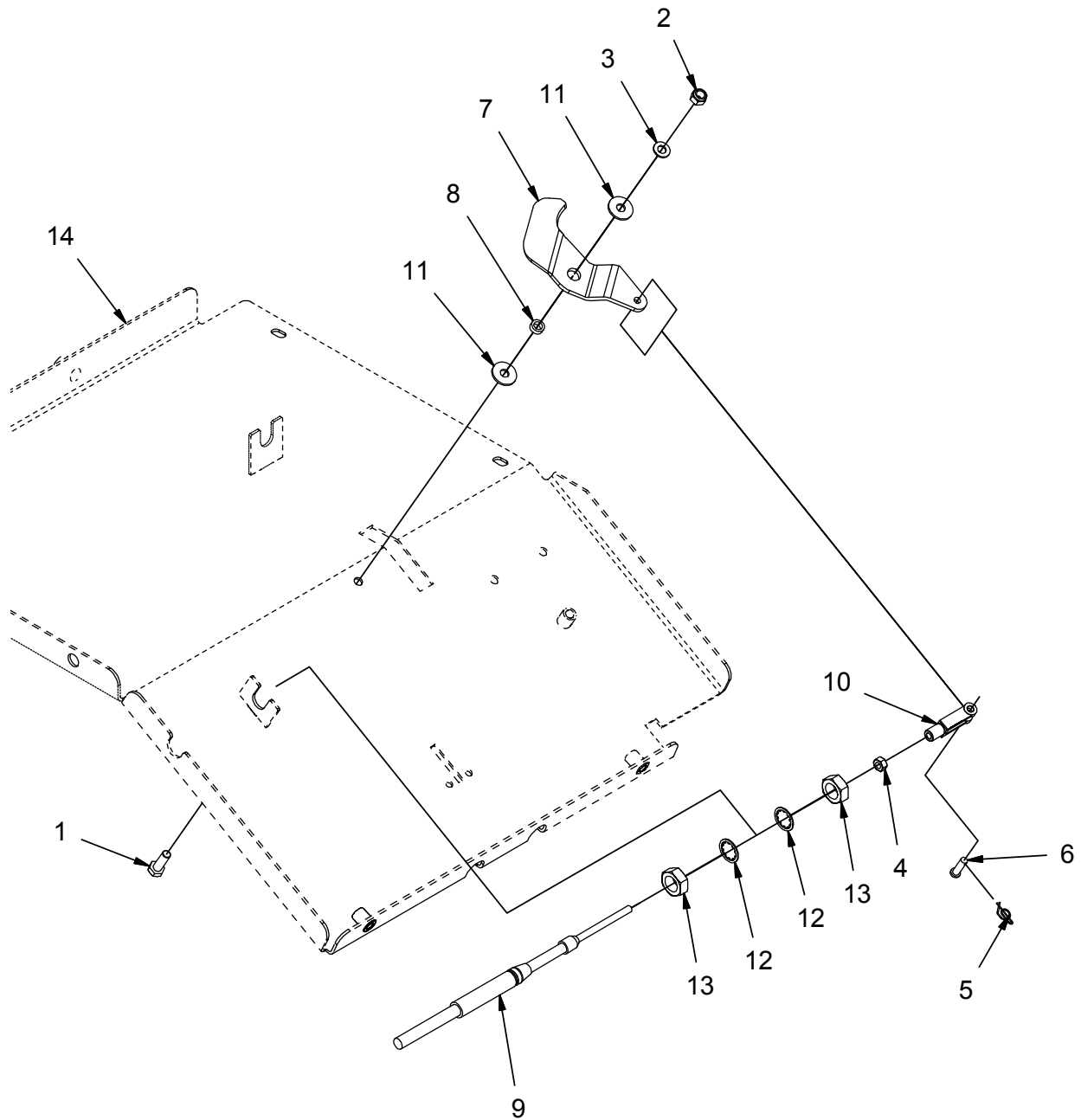


REV A

PUMP LINKAGE GROUP (600608)

Parts List			
ITEM	PART NUMBER	QTY	DESCRIPTION
1	11038395	3	BOLT, M10-1.50 X 40 HH
2	12022067	3	NUT, M10-1.50 HEX
3	12040069	3	NUT, M10-1.50 ESN
4	3300465	3	ISOLATOR, VIB
5	3400101	2	LOCK WASHER, 3/8 HS MED
6	3400180	1	NUT, 1/4-28
7	3400384	1	WASHER, 5/16 BELLEVILLE
8	3400385	2	WASHER, 3/8. BELLEVILLE
9	600141	1	WELDMENT, DIR CONT HUB
10	600175	1	ROD END, FEM 1/4-28
11	600363	3	WASHER, ISOLATOR
12	600895	1	BOLT, 5/16-24 X .75 SHCS
13	600936	2	NUT, M10-1.50 FLNG
14	600945	1	LOCK WASHER, M10
15	11038346	2	BOLT, M10-1.50 X 25 HH
16	711377	1	NUT, FIBER INSERT 1/4-20
17	713003	1	SCREW, 1/4-20 X 1.00 HH
18	713044	2	SCREW, 3/8-16 X 1.500 HHC
19	730481	1	BOLT, M10-1.50 X 60 HH ALL-THRD
20	731181	1	HYDROBACK CENTERING UNIT, 10 LB
21	730426	1	ADJUSTER, HYDROBACK
22	730427	1	MOUNT, HYDROBACK
23	730451	1	ARM, DIR CONT
24	PART OF CABLE ASSY	2	LOCK WASHER
25	PART OF CABLE ASSY	1	NUT, 5/8-18 JAM
26	REF.	-	PUMP, PROPULSION
27	REF.	-	CABLE, PUSH-PULL
28	WITH PUMP	1	KEY

SPEED RESTRICTION GROUP - 1 (600684)

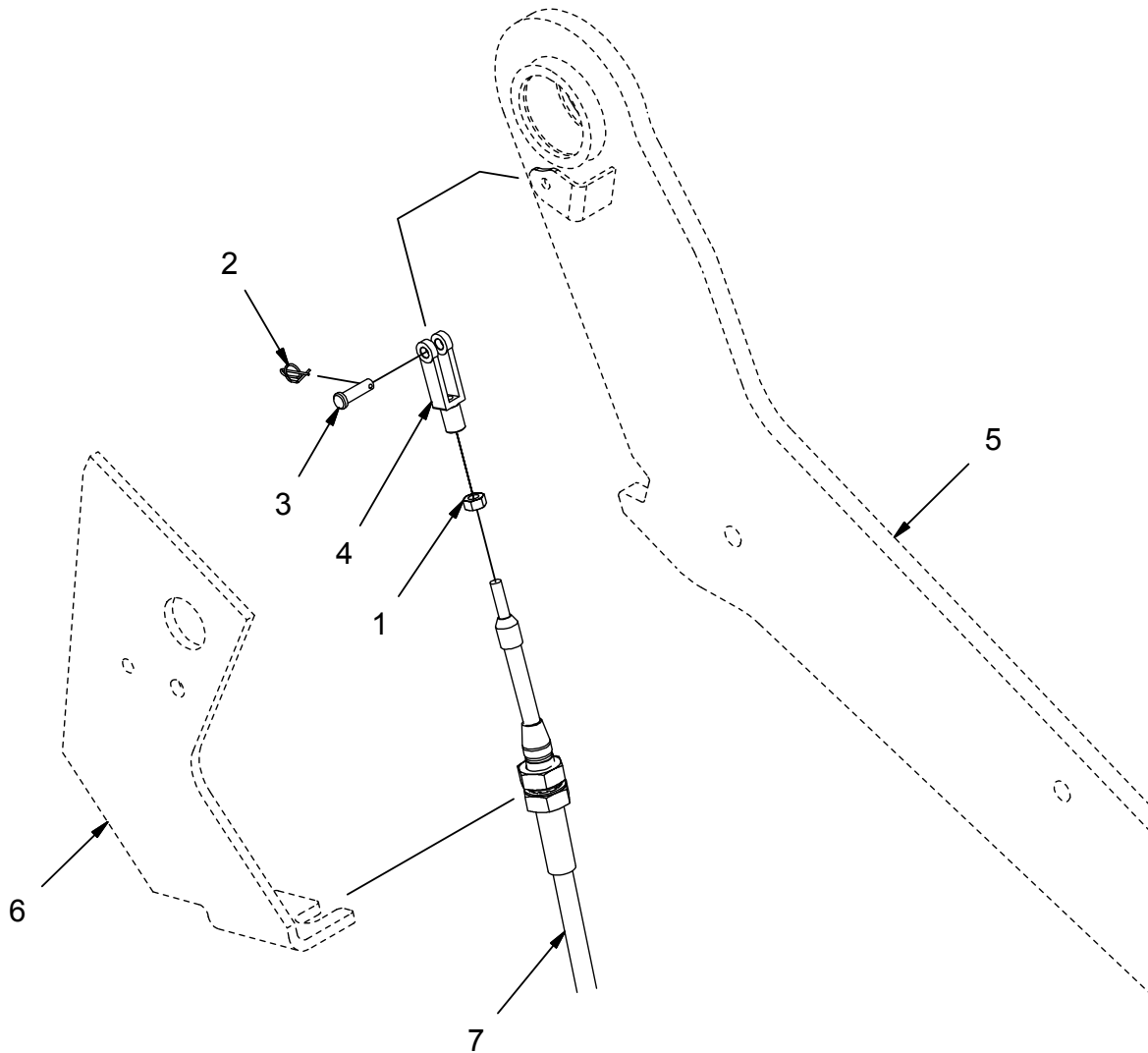


REV *

SPEED RESTRICTION GROUP - 1 (600684)

Parts List			
ITEM	PART NUMBER	QTY	DESCRIPTION
1	11038247	1	BLT-HH M8-125 X 25 STL ZINC
2	12040051	1	NUT, M8-1.25 ESN
3	12310041	1	WASHER, M8
4	3400180	1	NUT, 1/4-28
5	3400742	1	RUE-RING, .25
6	3400932	1	PIN, CLEVIS, .25 X .88
7	600137	1	BRACKET, PEDAL STOP
8	600138	1	SPACER, .328 B .500 OD .188 T
9	600139	1	CABLE, SPEED LIMIT
10	600176	1	CLEVIS, FEM, 1/4-28
11	600940	2	WASHER, M8 FENDER
12	PART OF 600139	2	LOCK WASHER
13	PART OF 600139	2	NUT, 5/8-18 JAM
14	REF.	-	FLOOR PANEL

SPEED RESTRICTION GROUP - 2 (600684)

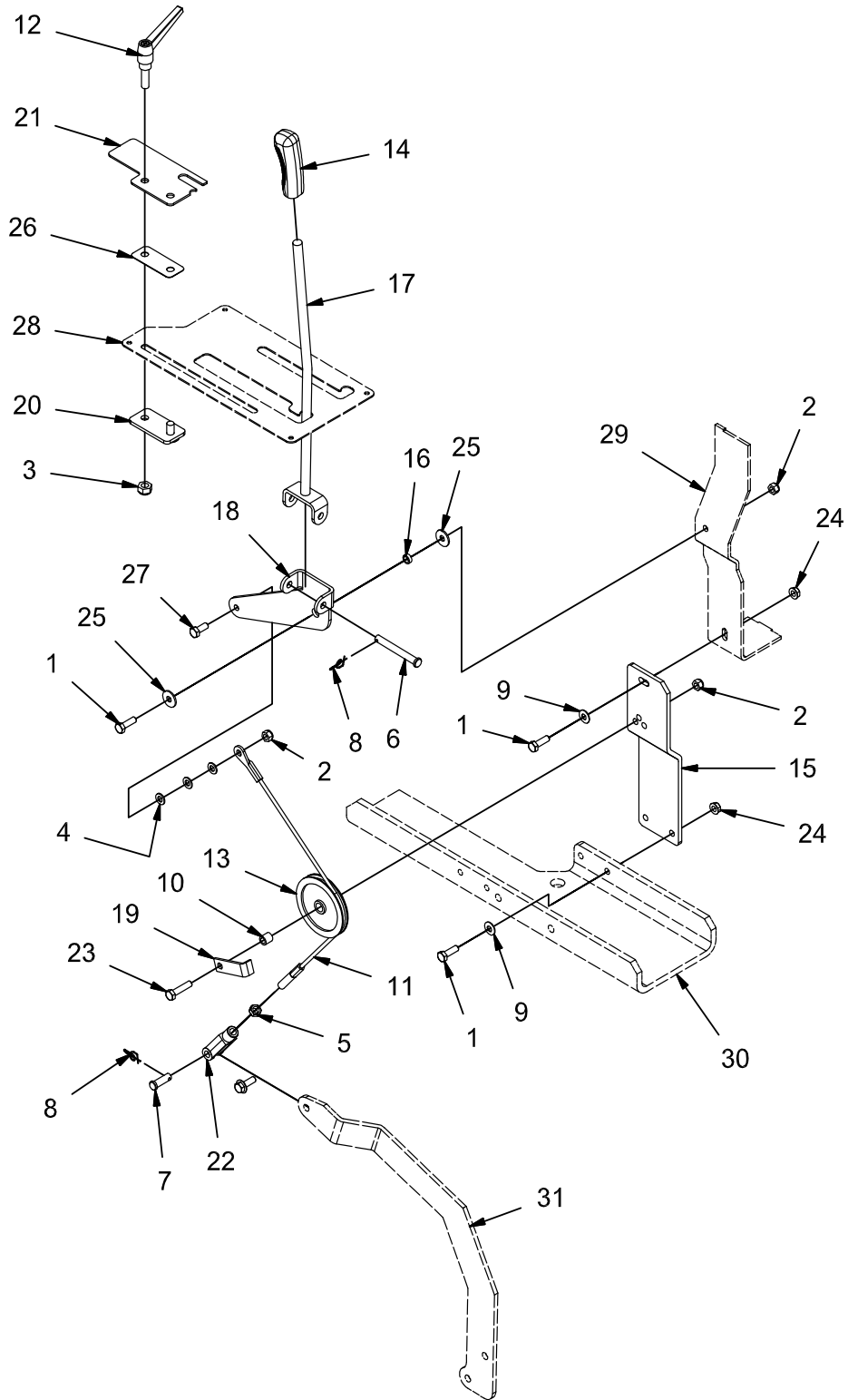


REV *

SPEED RESTRICTION GROUP - 2 (600684)

Parts List			
ITEM	PART NUMBER	QTY	DESCRIPTION
1	3400180	1	NUT, 1/4-28
2	3400742	1	RUE-RING, .25
3	3400932	1	PIN, CLEVIS, .25 X .88
4	600176	1	CLEVIS, FEM, 1/4-28
5	REF	-	HOPPER LIFT ARM
6	REF	-	FRAME
7	REF 600139	-	CABLE, SPEED LIMIT

MAIN BROOM LIFT GROUP (600660)

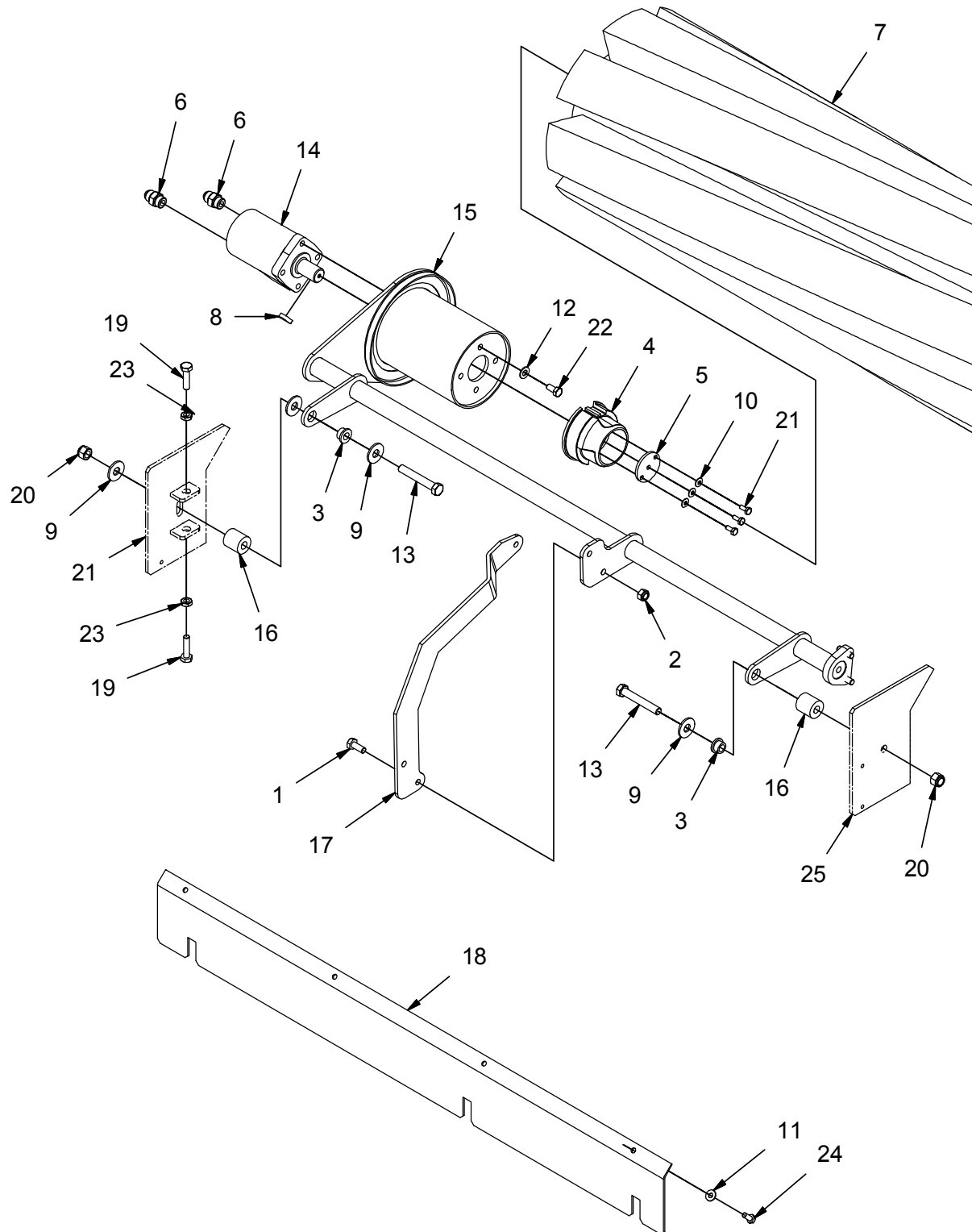


REV E

MAIN BROOM LIFT GROUP (600660)

Parts List			
ITEM	PART NUMBER	QTY	DESCRIPTION
1	11038247	4	BLT-HH M8-125 X 25 STL ZINC
2	12040051	3	NUT, M8-1.25 ESN
3	12040069	1	NUT, M10-1.50 ESN
4	12310041	3	WASHER, M8
5	3400075	1	NUT, HEX JAM 3/8-24
6	3400115	1	PIN, CLEVIS, .375 X 3.00
7	3400117	1	PIN, CLEVIS 3/8 X 1.125
8	3400125	2	RUE-RING, .375
9	3400384	3	WASHER, 5/16 BELLEVILLE
10	600114	1	SPACER, .328 B .498 OD .500 T
11	600172	1	CABLE, 18.56 OAL
12	600260	1	KNOB, LEVER
13	600261	1	PULLEY, .50 B. 3.00 D, .44 T
14	600264	1	HANDLE GRIP, CONTOURED
15	600464	1	BRACKET, MB PULLEY
16	600528	1	SPACER, .344 B .496 OD .189 T
17	600545	1	WELDMENT, MB LEVER
18	600548	1	MB LEVER ARM
19	600549	1	RETAINER, 3.0 CABLE
20	600550	1	WELDMENT, MB LOCK
21	600552	1	MB ADJ PLT
22	600813	1	CLEVIS, 3/8-24
23	600918	1	BOLT, M8-125 X 35 HH
24	600934	3	NUT, M8-1.25 FLNG
25	600940	2	WASHER, M8 FENDER
26	600998	1	PLATE, SLIDE
27	717024	1	BOLT, M8-1.25 X 20 HH
28	REF	-	PLATE, WEAR
29	REF	-	CONSOLE
30	REF	-	FRAME
31	REF	-	MB ARM

MAIN BROOM GROUP (600632)

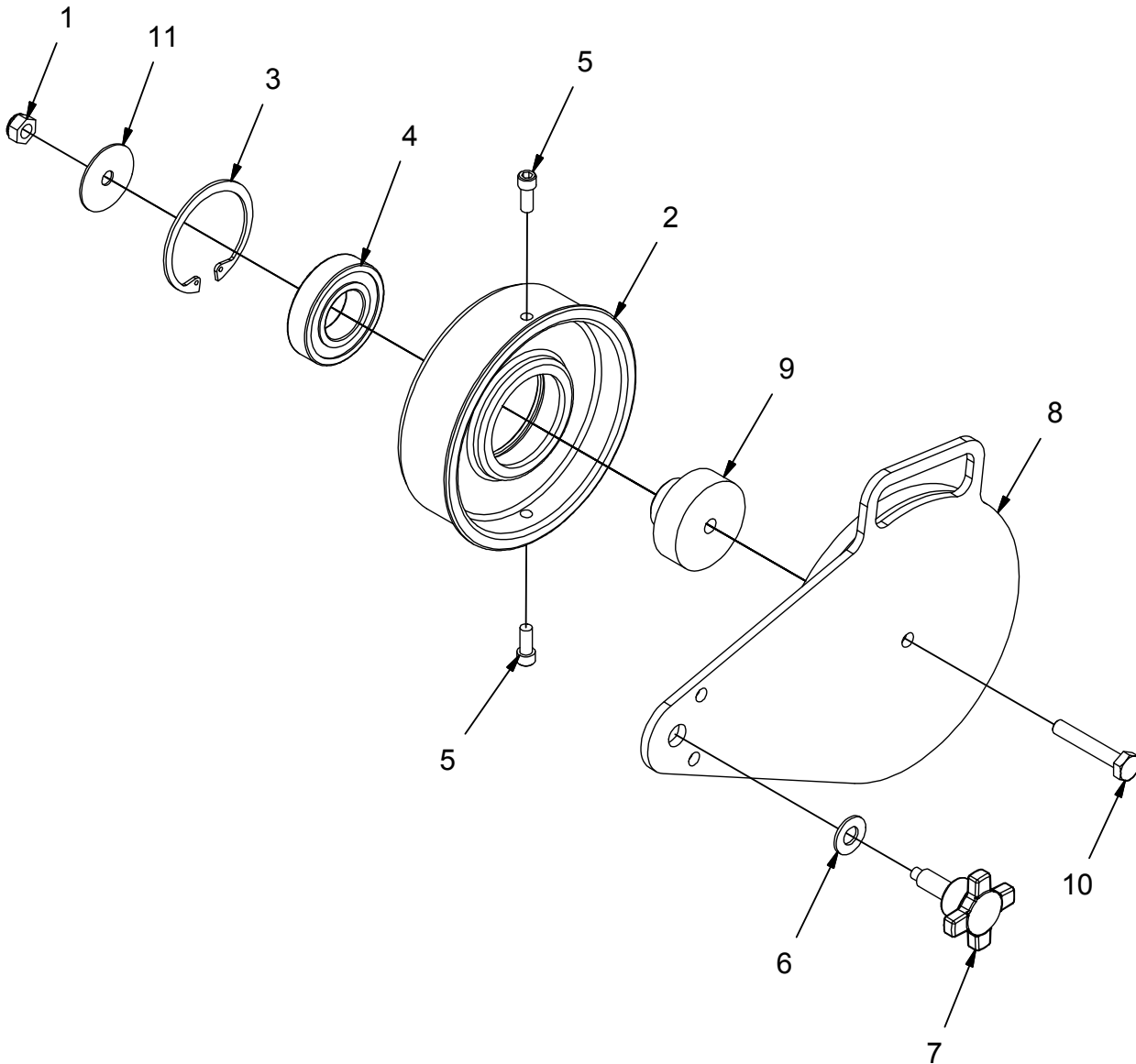


REV *

MAIN BROOM LIFT GROUP (600632)

Parts List			
ITEM	PART NUMBER	QTY	DESCRIPTION
1	11038346	2	BOLT, M10-1.50 X 25 HH
2	12040069	2	NUT, M10-1.50 ESN
3	3300432	2	BUSHING, FLANGE
4	3301050	1	HUB, MAIN BROOM DRIVE
5	3301285	1	RETAINER, MAIN BROOM DRIVE HUB
6	3304899	2	FITTING, STR, 8 JIC - 8 O-RING
7	3305663	-	MAIN BROOM
8	3330338	1	KEY, WOODRUFF .25 X .5
9	3400086	4	WASHER, 1/2, 1.063 X .531 X .094
10	3400383	3	WASHER, 1/4 BELLEVILLE
11	3400384	4	WASHER, 5/16 BELLEVILLE
12	3400385	4	WASHER, 3/8. BELLEVILLE
13	3400761	2	BOLT, 1/2-13 X 3.25 HHC
14	600267	1	MOTOR, 2.8 DISP
15	600290	1	WELDMENT, MAIN BROOM ARM
16	600520	2	SPACER, .531 B 1.25 OD 1.31 T
17	600561	1	ARM, MB LIFT
18	600562	1	GUARD, MB SHAFT
19	600962	2	BOLT, M10-1.50 X 40 HH FULL THRD
20	711376	2	NUT, FIBER INSERT 1/2-13
21	713001	3	SCREW, 1/4-20 X .625 HHC
22	713041	4	SCREW, 3/8-16 X .750 HHC
23	717014	2	NUT, M10-1.50 JAM
24	717024	4	BOLT, M8-1.25 X 20 HH
25	REF.	1	FRAME

IDLER ARM GROUP (600631)

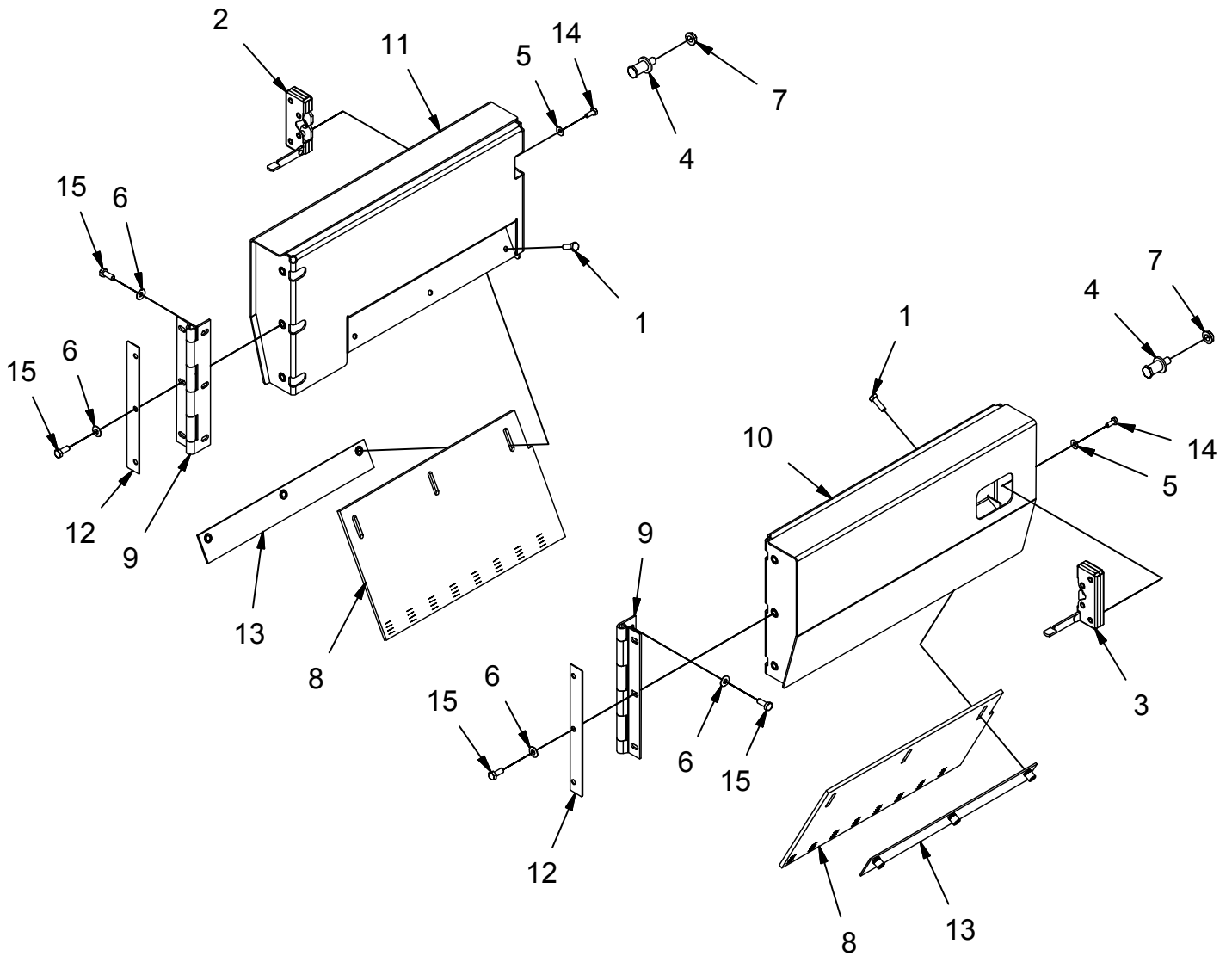


REV A

IDLER ARM GROUP (600631)

Parts List			
ITEM	PART NUMBER	QTY	DESCRIPTION
1	12040069	1	NUT, M10-1.50 ESN
2	3305642	1	IDLER, MAIN BROOM
3	3305666	1	RING, RETAINING, INT
4	3305667	1	BEARING, BALL, 207PP
5	3400047	2	BOLT, 5/16-18 X .75 SHCS
6	3400387	1	WASHER, .50 CONICAL
7	3400748	1	KNOB
8	600298	1	WELDMENT, MB IDLER ARM
9	600544	1	MOUNT, BEARING
10	600925	1	BOLT, M10-1.50 X 60 HH
11	712768	1	WSR-FLT .406 X 1.875 SS

MAIN BROOM DOOR GROUP (600640)

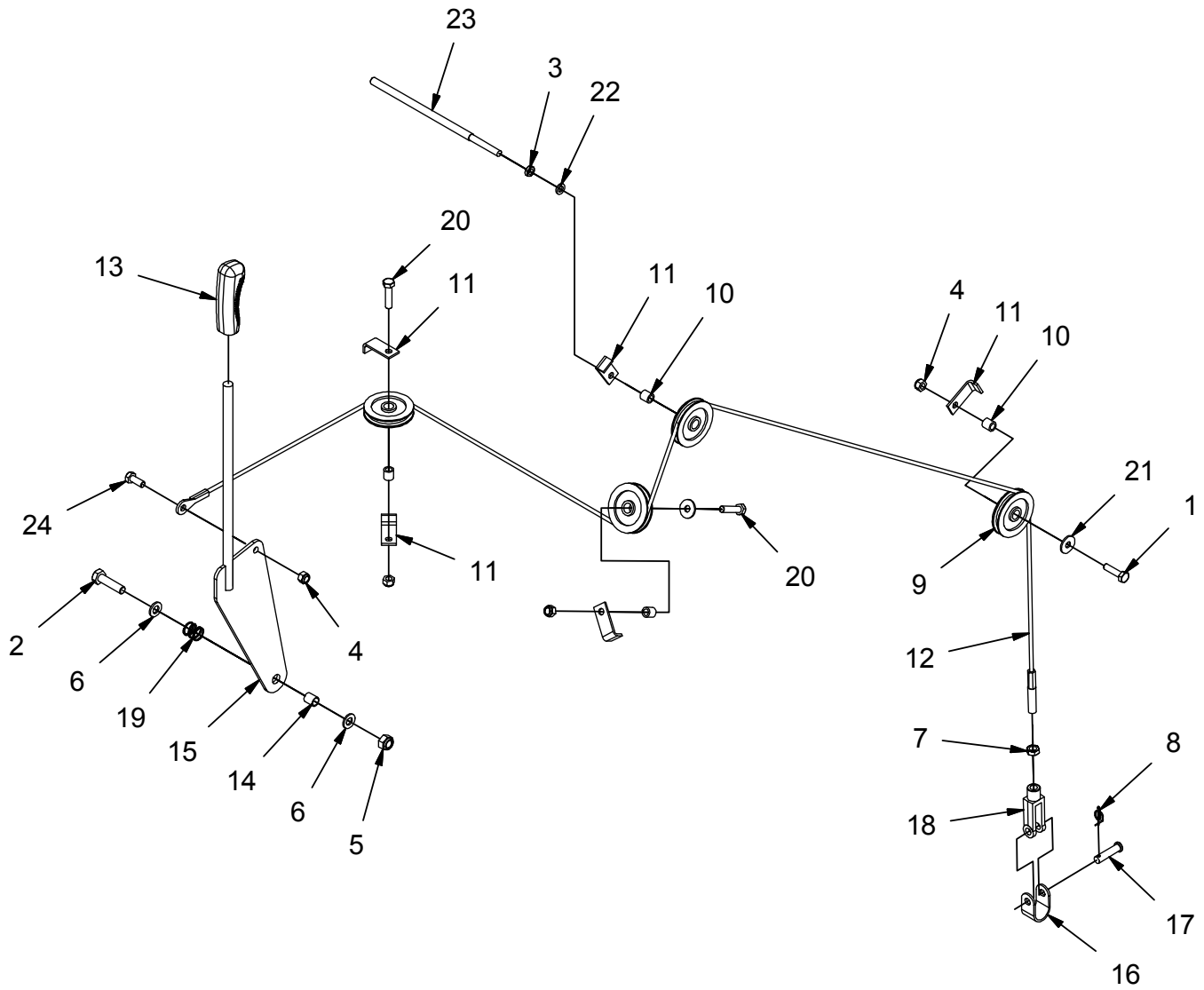


REV *

MAIN BROOM DOOR GROUP (600640)

Parts List			
ITEM	PART NUMBER	QTY	DESCRIPTION
1	11038247	6	BLT-HH M8-125 X 25 STL ZINC
2	3307246	1	LATCH, LH
3	3307247	1	LATCH, RH
4	3307248	2	STRIKER-LATCH
5	3400383	4	WASHER, 1/4 BELLEVILLE
6	3400384	12	WASHER, 5/16 BELLEVILLE
7	3400394	2	NUT, 7/16-14 FLNG
8	600227	2	SKIRT, SIDE DOOR
9	600259	2	HINGE, MB
10	600307-1	1	ASSEMBLY, MB DOOR, RH
11	600311-1	1	ASSEMBLY, MB DOOR, LH
12	600314	2	BAR, COVER
13	600316-1	2	ASSEMBLY, DOOR SKIRT RETAINER
14	713001	4	SCREW, 1/4-20 X .625 HHC
15	717024	12	BOLT, M8-1.25 X 20 HH

SIDE BROOM LIFT GROUP (600665)

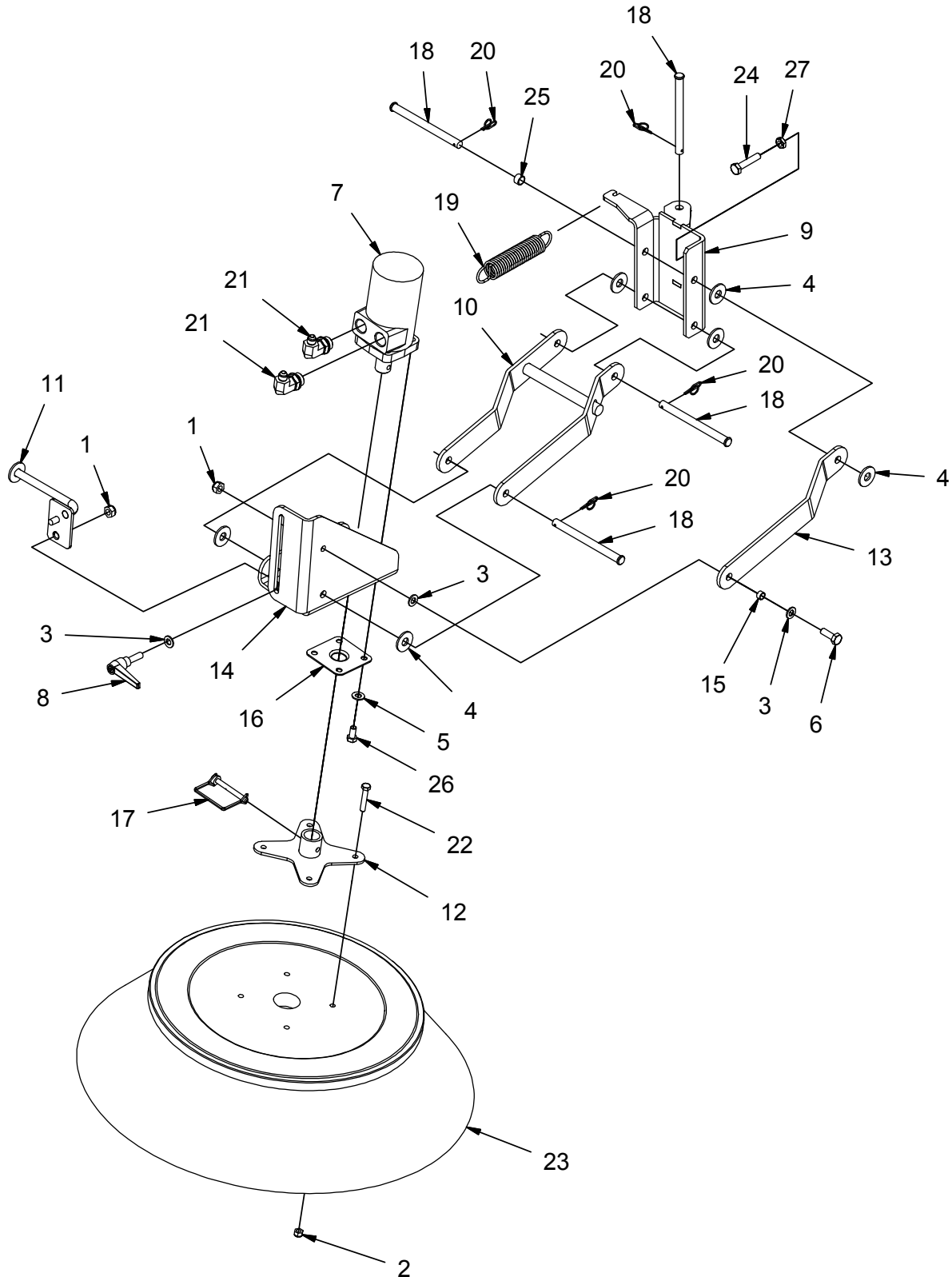


REV A

SIDE BROOM LIFT GROUP (600665)

Parts List			
ITEM	PART NUMBER	QTY	DESCRIPTION
1	11038254	1	BOLT, M8-125 X 30 HH
2	11038395	1	BOLT, M10-1.50 X 40 HH
3	12012019	1	NUT, M8-1.25 JAM
4	12040051	4	NUT, M8-1.25 ESN
5	12040069	1	NUT, M10-1.50 ESN
6	12310058	2	WASHER, M10
7	3400075	1	NUT, HEX JAM 3/8-24
8	3400125	1	RUE-RING, .375
9	600113	4	PULLEY, .50 B, 2.00 D, .44 T
10	600114	4	SPACER, .328 B .498 OD .500 T
11	600115	5	RETAINER, CABLE
12	600173	1	CABLE, 81.88 OAL
13	600264	1	HANDLE GRIP, CONTOURED
14	600525	1	SPACER, .406 B .50 OD .57 T
15	600555	1	WELDMENT, SB LEVER
16	600558	1	BRACKET
17	600573	1	PIN, CLEVIS, 3/8 X 1.50
18	600813	1	CLEVIS, 3/8-24
19	600815	1	SPRING, COMP
20	600918	2	BOLT, M8-125 X 35 HH
21	600940	2	WASHER, M8 FENDER
22	600959	1	LOCK WASHER, M8
23	620086	1	BAR, WIRE RETAINER
24	717024	1	BOLT, M8-1.25 X 20 HH

SIDE BROOM GROUP (600651)

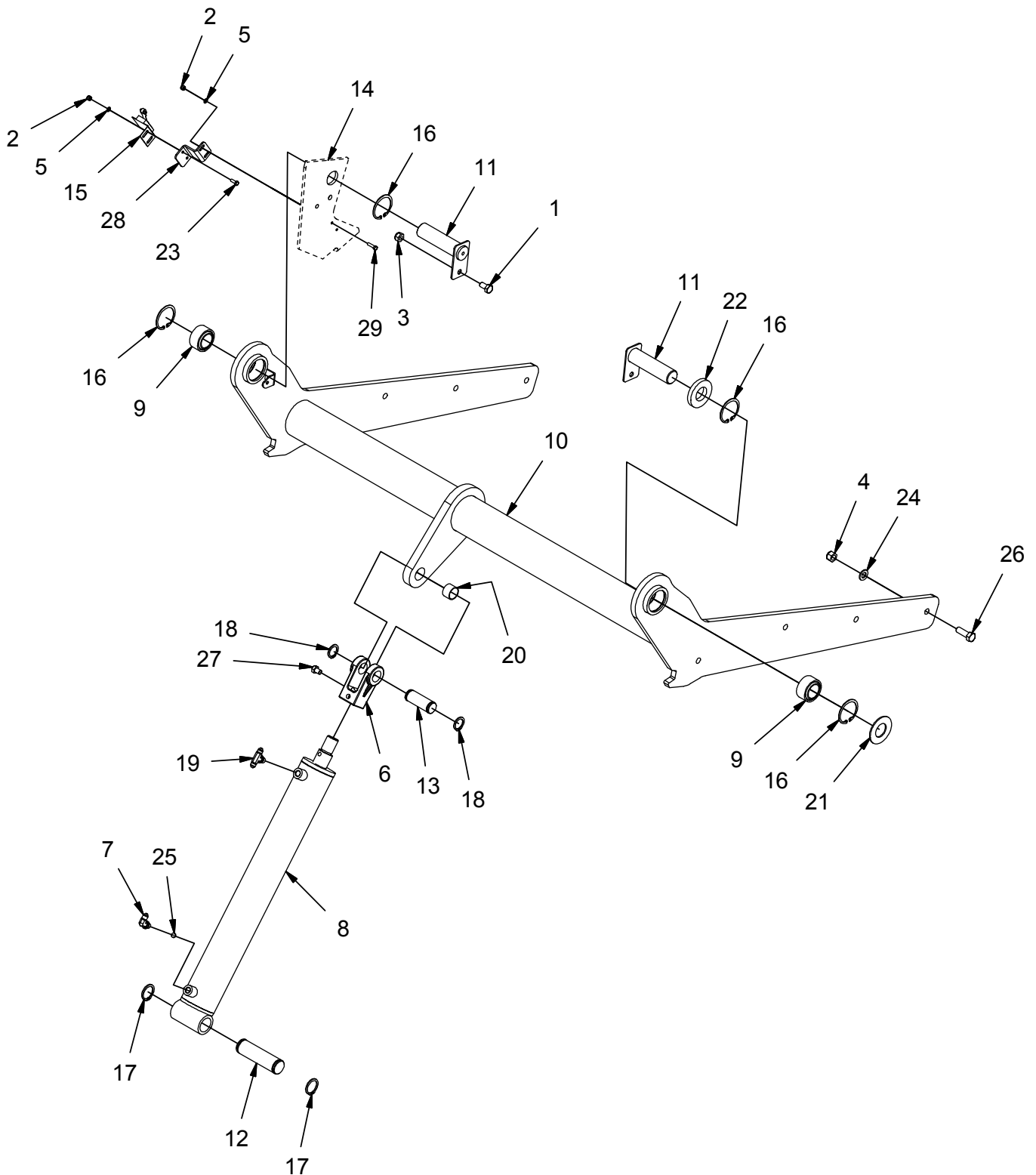


REV *

SIDE BROOM GROUP (600651)

Parts List			
ITEM	PART NUMBER	QTY	DESCRIPTION
1	12040069	2	NUT, M10-1.50 ESN
2	12040259	4	NUT, M8-1.25 ESN SS
3	12310058	3	WASHER, M10
4	3400086	6	WASHER, 1/2, 1.063 X .531 X .094
5	3400385	4	WASHER, 3/8. BELLEVILLE
6	3401051	1	BOLT, M10-1.50 X 30 HH
7	600217	1	MOTOR, 17.9 DISP
8	600260	1	KNOB, LEVER
9	600300	1	WELDMENT, SB PIVOT
10	600303	1	WELDMENT, SB TRAILING ARM
11	600318	1	WELDMENT, SB ADJ
12	600322	1	WELDMENT, SB FLANGE
13	600325	1	SB LINK
14	600326	1	SB MOTOR MNT
15	600327	1	SPACER, .406 B .50 OD .280 T
16	600330	1	STRING GUARD
17	600566	1	PIN, WIRE LOCK, .313
18	600571	4	PIN, CLEVIS 1/2 X 6.00
19	600572	1	SPRING, EXT, .14 W 1.25 OD 6.50 L
20	600578	4	RUE-RING, .50
21	600592	2	FITTING, 90, 6 JIC - 10 O-RING
22	600820	4	BOLT, M8-1.25 X 45 HH
23	600900	1	SIDE BROOM, 26"
24	600926	1	BOLT, M10-1.50 X 80 HH ALL-THRD
25	600993	1	SPACER, .516 B .625 OD .375 T
26	713041	4	SCREW, 3/8-16 X .750 HHC
27	717014	1	NUT, M10-1.50 JAM

HOPPER LIFT GROUP (600691)

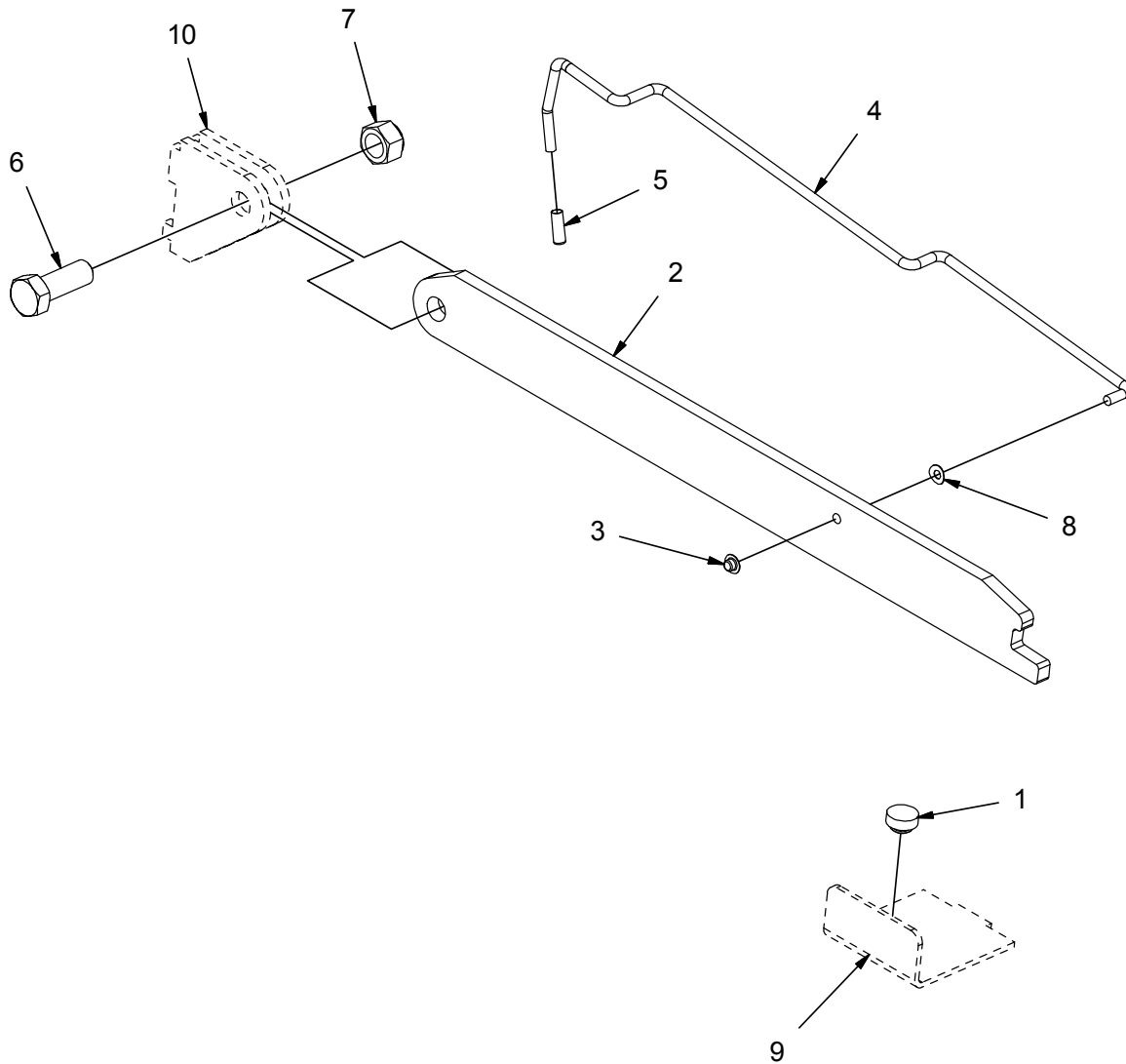


REV B

HOPPER LIFT GROUP (600691)

Parts List			
ITEM	PART NUMBER	QTY	DESCRIPTION
1	11038353	2	BOLT, M10-1.50 X 20 HH
2	12040036	4	NUT, M5 - 0.8 ESN
3	12040069	2	NUT, M10-1.50 ESN
4	12040077	6	NUT-NYLOC M12-1.75 STL ZINC
5	12310025	4	WASHER, M5
6	3301370	1	CLEVIS
7	3302407	1	FITTING, 90, 4 JIC - 4 O-RING
8	600104	1	CYLINDER, HOPPER LIFT
9	600109	2	BEARING, SPHERICAL
10	600270	1	ARM, HOPPER LIFT
11	600276	2	WELDMENT, PIVOT PIN
12	600331	1	PIN, LOWER CYLINDER
13	600332	1	PIN, UPPER CYLINDER
14	600445	1	W/D, FRAME, PIVOT PLT, LH
15	600530-1	1	SWITCH, LIMIT
16	600575	4	RING, RETAINING INT, 2.00
17	600576	2	RING, RETAINING EXT, 1.25 HD
18	600577	2	RETAINING RING, EXT, 1.00 HD
19	600598	1	FITTING, TEE, 4 JIC - 4 JIC - 4 O-RING
20	600801	1	BEARING, FIBERGLIDE 1.00 ID .75 T
21	600802	1	WASHER, HOPPER PIVOT, THIN
22	600803	1	WASHER, HOPPER PIVOT, THK
23	600911	2	BOLT, M5-0.8 X 14 HH
24	600950	6	WASHER, M12
25	600966	1	RESTRICTOR .047
26	620034	6	BOLT, M12-1.75 X 35 HH
27	620088	1	BOLT, 3/8-24 X .50 HH ZP
28	620211	1	BRACKET, SWITCH
29	620212	2	BOLT, M5-0.8 X 20 HH

HOPPER SAFETY ARM GROUP (600686)

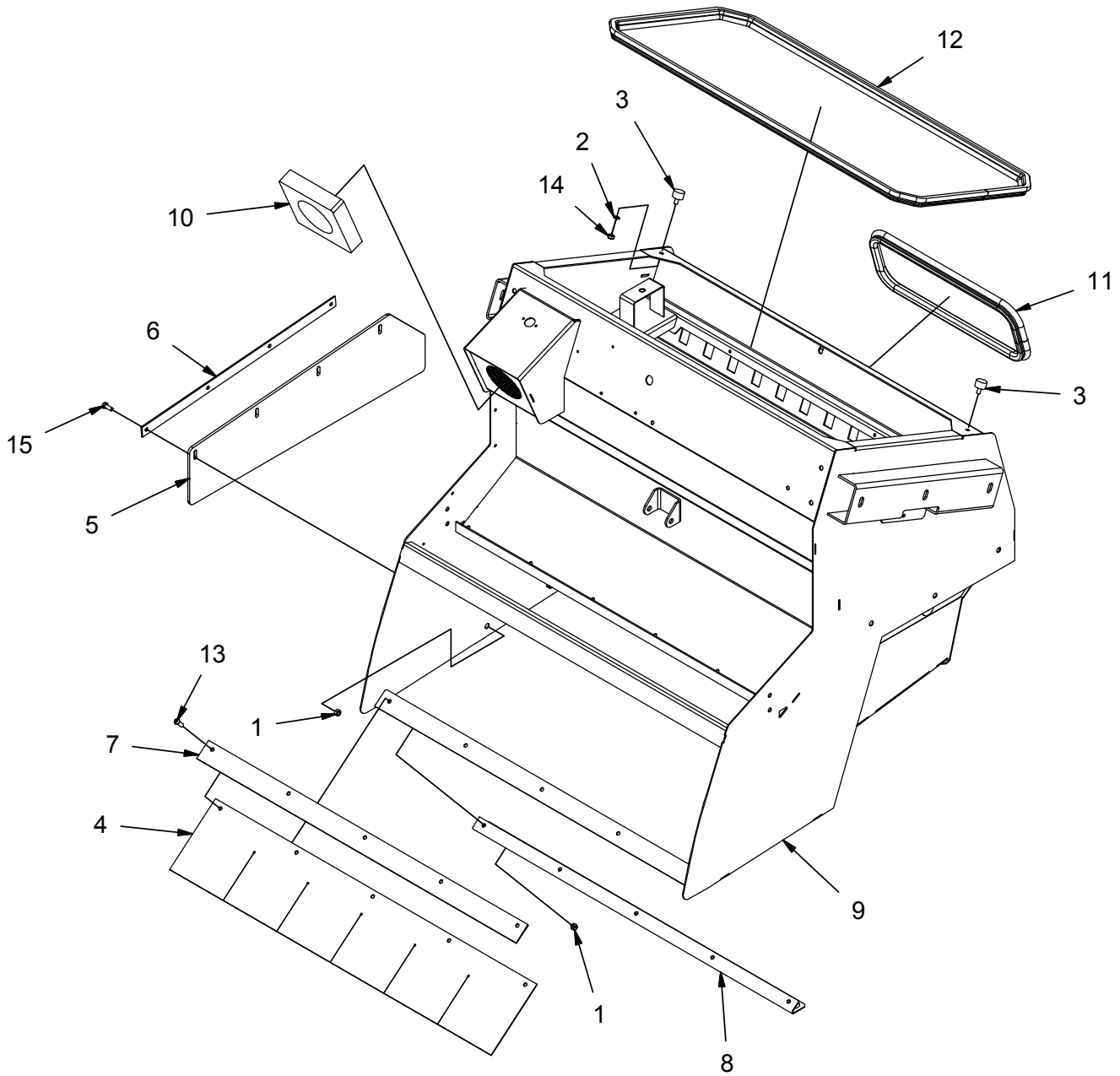


REV *

HOPPER SAFETY ARM GROUP (600686)

Parts List			
ITEM	PART NUMBER	QTY	DESCRIPTION
1	600117	1	BUMPER, 1.00 X .339 T
2	600196	1	SAFETY ARM
3	600481	1	AXLE CAP NUT, .313
4	600886	1	WELDMENT, SAFETY ARM LIFT
5	600910	1	CAP
6	600929	1	BOLT, M20-2.50 X 55 HH
7	600935	1	NUT, M20-2.50 ESN
8	600947	1	WASHER, .313 CURVED SPRING
9	REF.	-	FRAME
10	REF.	-	FRAME

HOPPER SKIRTS SEALS GROUP (600621)

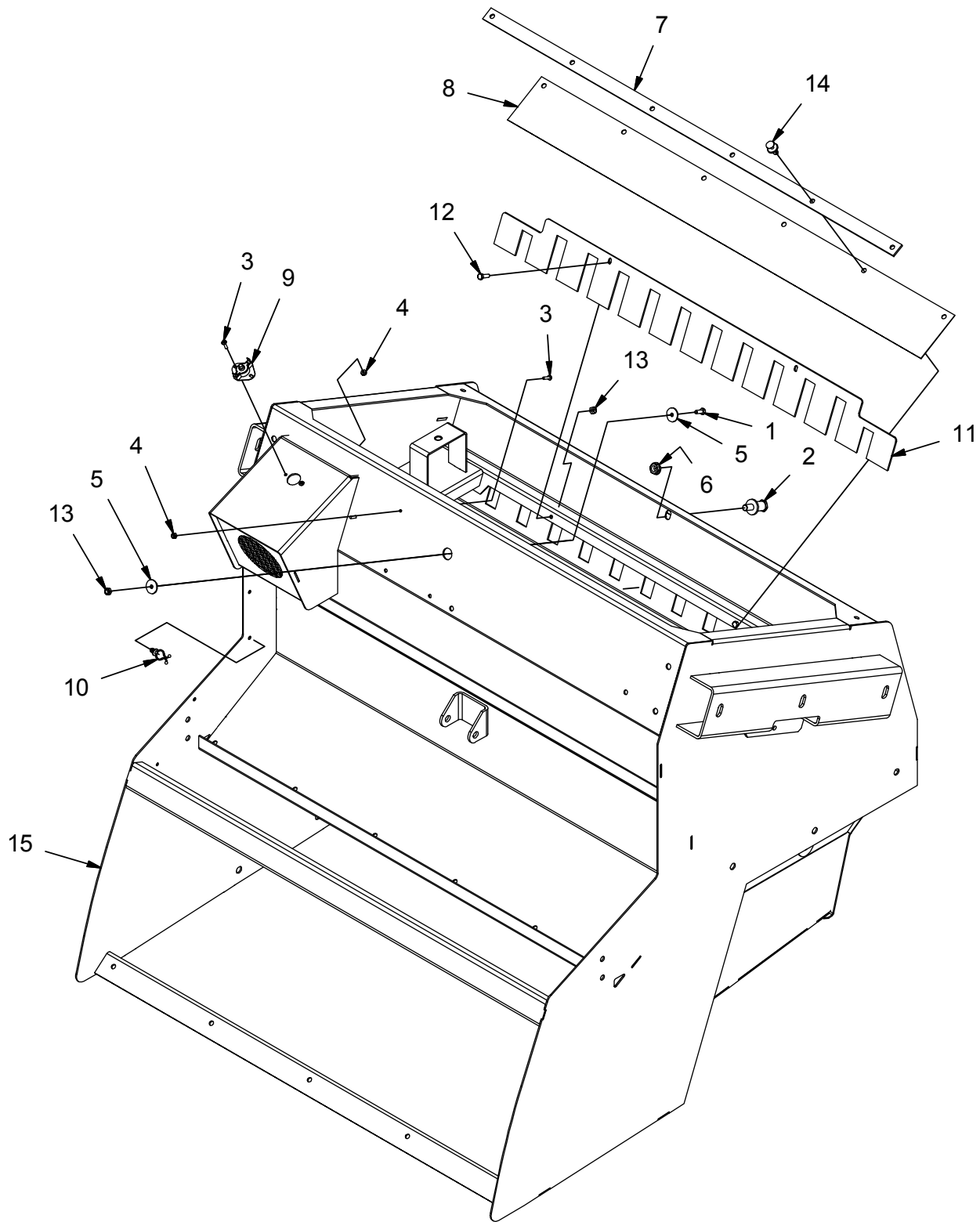


REV A

HOPPER SKIRTS SEALS GROUP (600621)

Parts List			
ITEM	PART NUMBER	QTY	DESCRIPTION
1	12040259	9	NUT, M8-1.25 ESN SS
2	3400102	2	LOCK WASHER, 5/16 HS MED
3	600220	2	BUMPER, 1.00 X .625 T
4	600230	1	SKIRT, HOPPER LIP
5	600231	1	SKIRT, HOPPER SIDE
6	600344	1	RETAINER, HOPPER SIDE SKIRT
7	600345	1	RETAINER, HOPPER FLAP
8	600346	1	ANGLE, HOPPER LIP
9	600390-1	1	ASSEMBLY, HOPPER
10	600521	1	SEAL, HOPPER EXHAUST
11	600563	1	EDGING, HOPPER ACCESS
12	600564	1	EDGING, HOPPER COVER
13	600917	5	SCREW, M8-1.25 X 25 BUTTON HD CAP SS
14	711319	2	NUT, HEX 5/16-18
15	717030	4	BOLT, M8-1.25 X 20 HH SS
	000710	-	ADHESIVE 3M #847 (USED ON 600521)

HOPPER ASSEMBLY GROUP (600623)

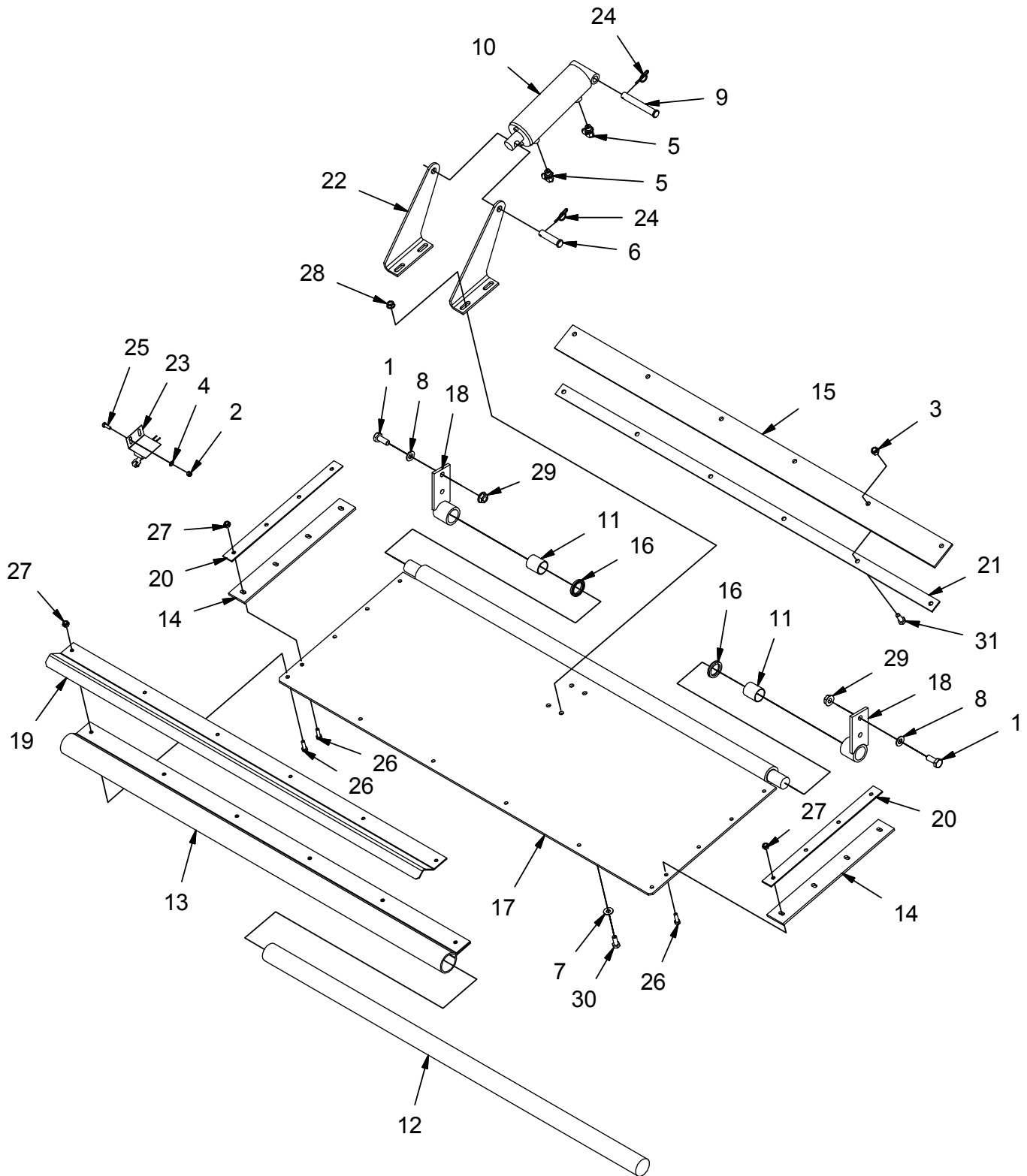


REV C

HOPPER ASSEMBLY GROUP (600623)

Parts List			
ITEM	PART NUMBER	QTY	DESCRIPTION
1	11132065	1	BOLT, M6-100 X 16 HH
2	3307248	1	STRIKER-LATCH
3	3400045	4	SCREW, #8-32 X .625 PAN HD ZP
4	3400082	4	NUT, FIBER INSERT #8-32
5	3400090	2	WASHER, FENDER, 1/4 ZP
6	3400394	1	NUT, 7/16-14 FLNG
7	600355	1	RETAINER, DOOR BAR SEAL
8	600522	1	FLAP, FILTER SEAL
9	600568	1	SWITCH, THERMOSTAT, 130
10	600581	9	CLAMP, WIRE CLIP
11	600810	1	PRE-FILTER PLATE
12	600913	2	BOLT, M6-100 X 20 HH SS
13	600933	3	NUT, M6-1.00 ESN SS
14	600965	6	FASTENER, PRESS-IN
15	REF.	-	HOPPER

HOPPER DUMP DOOR GROUP (600622)

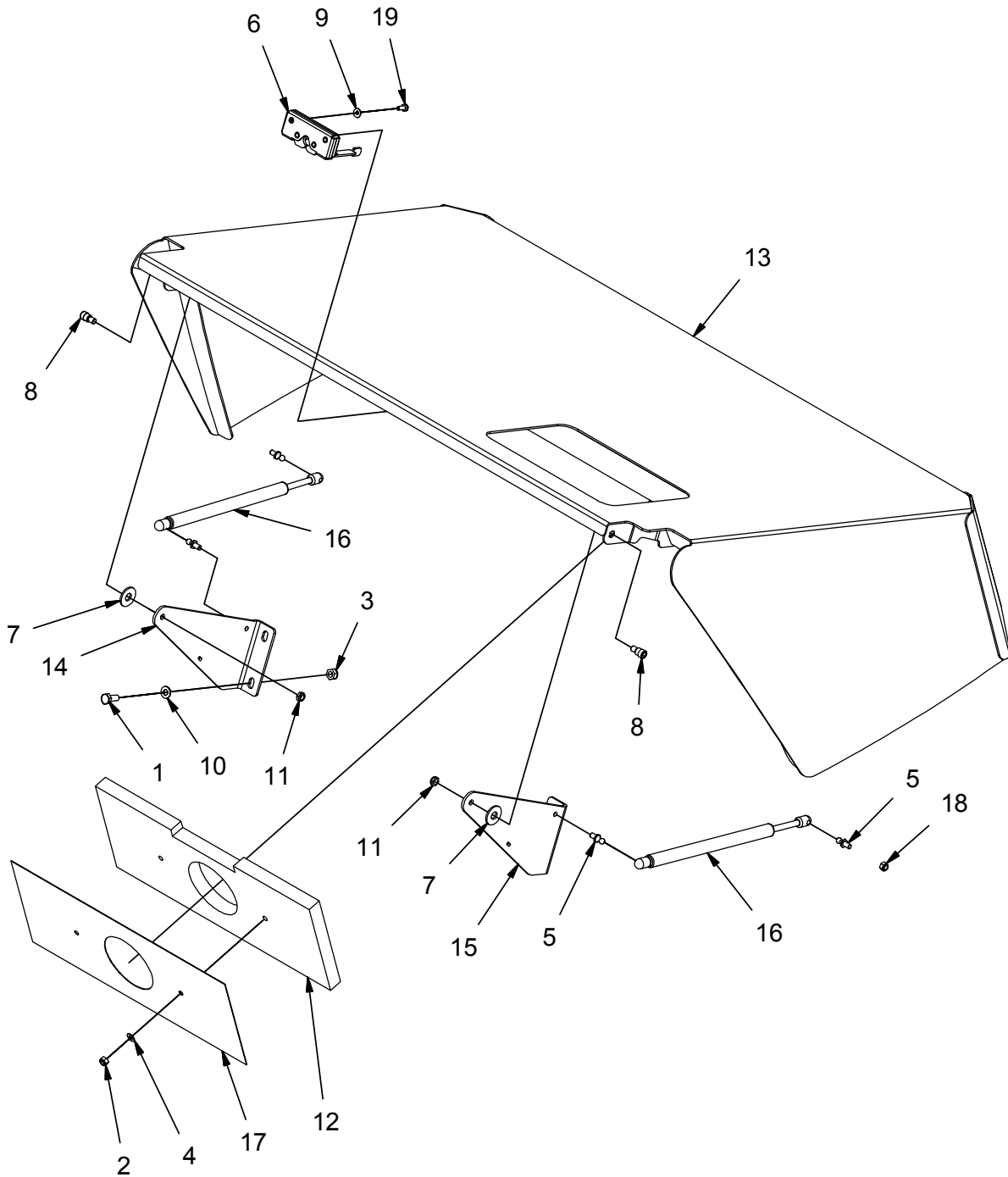


REV A

HOPPER DUMP DOOR GROUP (600622)

Parts List			
ITEM	PART NUMBER	QTY	DESCRIPTION
1	11038346	4	BOLT, M10-1.50 X 25 HH
2	12040036	2	NUT, M5 - 0.8 ESN
3	12040259	6	NUT, M8-1.25 ESN SS
4	12310025	2	WASHER, M5
5	3302407	2	FITTING, 90, 4 JIC - 4 O-RING
6	3308225	1	PIN, CLEVIS 1/2 X 2.00
7	3400384	4	WASHER, 5/16 BELLEVILLE
8	3400385	4	WASHER, 3/8. BELLEVILLE
9	3400788	1	PIN, CLEVIS 1/2 X 3.50
10	600106	1	CYLINDER, HOPPER DOOR
11	600174	2	BEARING, FIBERGLIDE 1.00 ID 1.25 T
12	600233	1	BULB, HOPPER DOOR
13	600234	1	SEAL, DUMP DOOR LIP
14	600235	2	SEAL, DUMP DOOR SIDE
15	600236	1	SEAL, DUMP DOOR BAR
16	600262	2	SEAL, LIP
17	600347	1	WELDMENT, DOOR, DUMP
18	600350	2	WELDMENT, PIVOT, HOPPER DOOR
19	600353	1	RETAINER, DOOR LIP SEAL
20	600354	2	RETAINER, DOOR SIDE SEAL
21	600355	1	RETAINER, DOOR BAR SEAL
22	600529	2	ARM, CYLINDER
23	600530-1	1	SWITCH, LIMIT
24	600578	2	RUE-RING, .50
25	600911	2	BOLT, M5-0.8 X 14 HH
26	600913	14	BOLT, M6-100 X 20 HH SS
27	600933	14	NUT, M6-1.00 ESN SS
28	600934	4	NUT, M8-1.25 FLNG
29	600936	4	NUT, M10-1.50 FLNG
30	717024	4	BOLT, M8-1.25 X 20 HH
31	717030	6	BOLT, M8-1.25 X 20 HH SS

HOPPER COVER GROUP (600625)

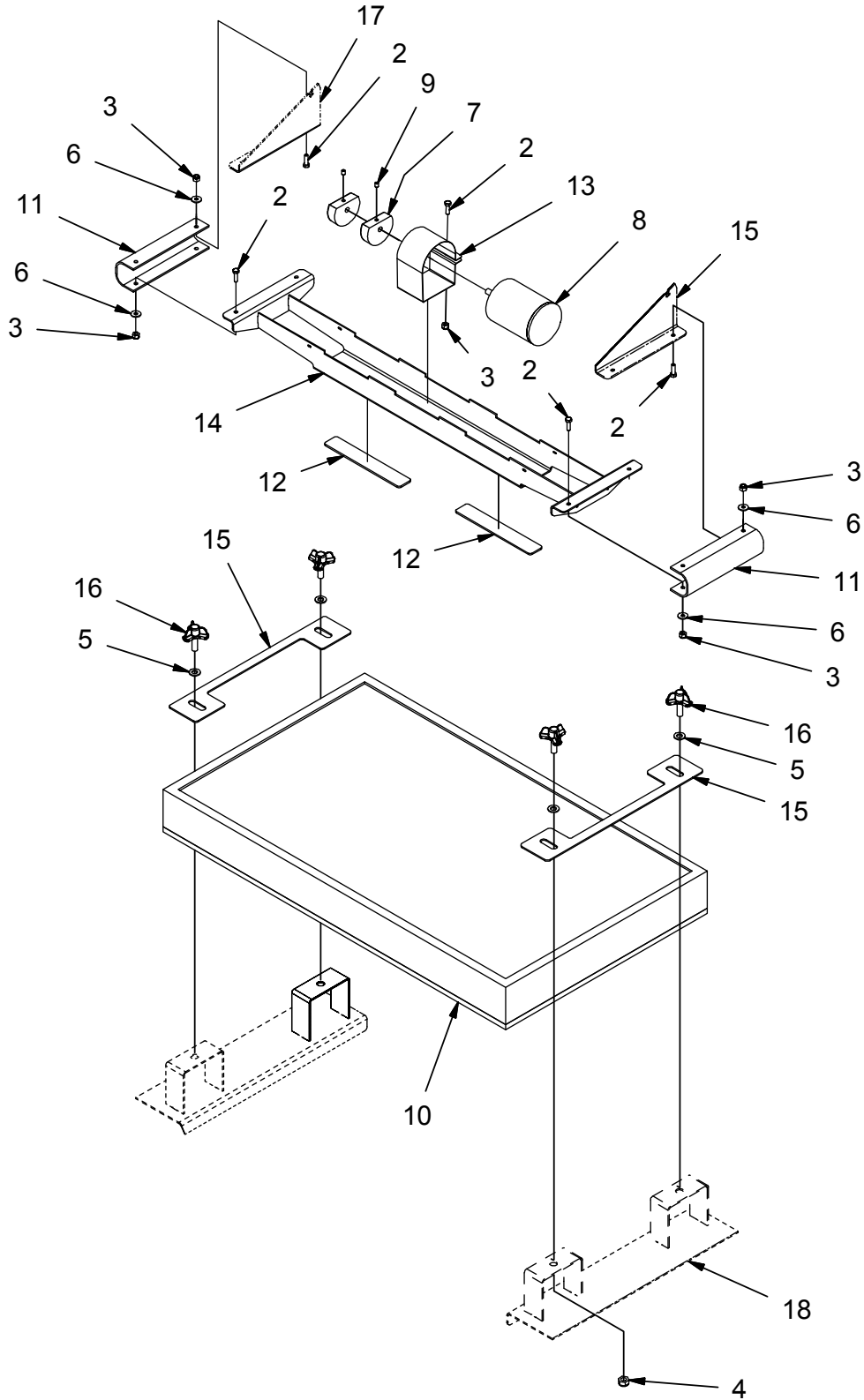


REV A

HOPPER COVER GROUP (600625)

Parts List			
ITEM	PART NUMBER	QTY	DESCRIPTION
1	11038346	4	BOLT, M10-1.50 X 25 HH
2	12040051	2	NUT, M8-1.25 ESN
3	12040069	4	NUT, M10-1.50 ESN
4	12310041	2	WASHER, M8
5	3300376	4	STUD, 10MM BALL
6	3307246	1	LATCH, LH
7	3400086	2	WASHER, 1/2, 1.063 X .531 X .094
8	3400170	2	BOLT, SHOULDER .500 X .500
9	3400383	2	WASHER, 1/4 BELLEVILLE
10	3400385	4	WASHER, 3/8. BELLEVILLE
11	3401028	2	NUT, FIBER INSERT 3/8-16 JAM
12	600237	1	SEAL, HOPPER ACCESS DOOR
13	600238	1	WELDMENT, HOPPER COVER
14	600249	1	PIVOT, COVER, LH
15	600250	1	PIVOT, COVER, RH
16	600509	2	GAS STRUT, 23.0 EXT X 9.8 STK
17	600523	1	COVER, SEAL
18	711374	4	NUT, FIBER INSERT 5/16-18
19	713001	2	SCREW, 1/4-20 X .625 HHC

HOPPER FILTER SHAKER GROUP (600624)

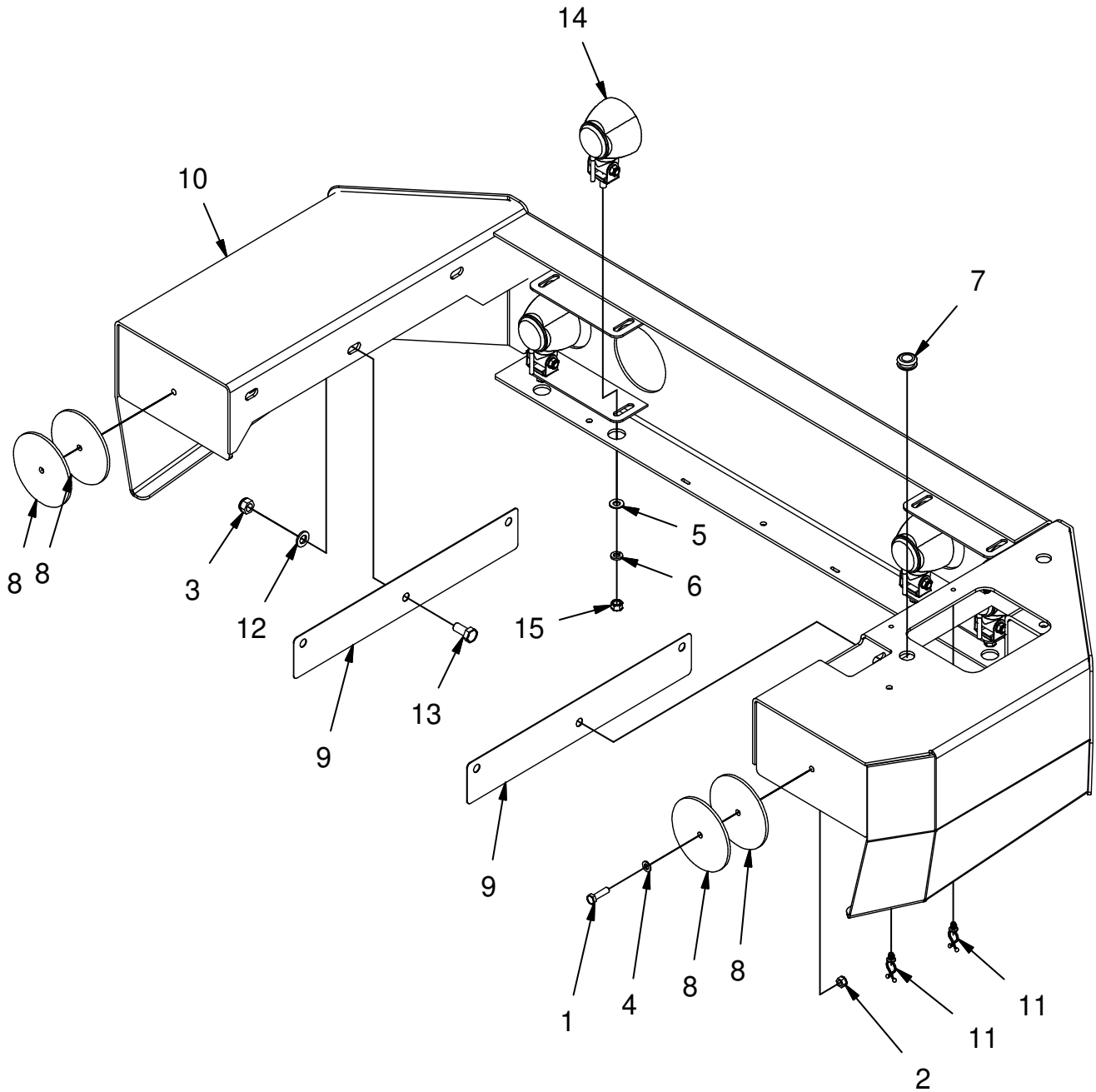


REV C

HOPPER FILTER SHAKER GROUP (600624)

ITEM	PART NUMBER	QTY	DESCRIPTION
1	000710	1	ADHESIVE-3M #847 (USED ON 600229)
2	11038098	9	BOLT, M6-100 X 20 HH
3	12040044	9	NUT, M6-1.00 ESN
4	12040069	4	NUT, M10-1.50 ESN
5	12310058	4	WASHER, M10
6	12332011	8	WASHER, FENDER, M6
7	3301053	2	WEIGHT, ECCENTRIC PNTD
8	3342894	1	MOTOR, SHAKER FILTER
9	3400826	2	SETSCREW
10	600152	1	FILTER - PANEL
11	600228	2	HANGER, SHAKER
12	600229	2	PAD, DAMPER
13	600269	1	STRAP, MOTOR
14	600340	1	WELDMENT, SHAKER FRAME
15	600343	2	RETAINER, FILTER
16	600559	4	KNOB, 3-FINGER, M10 X 30
17	REF.	-	HOPPER COVER
18	REF.	-	HOPPER

BUMPER GROUP (600626)

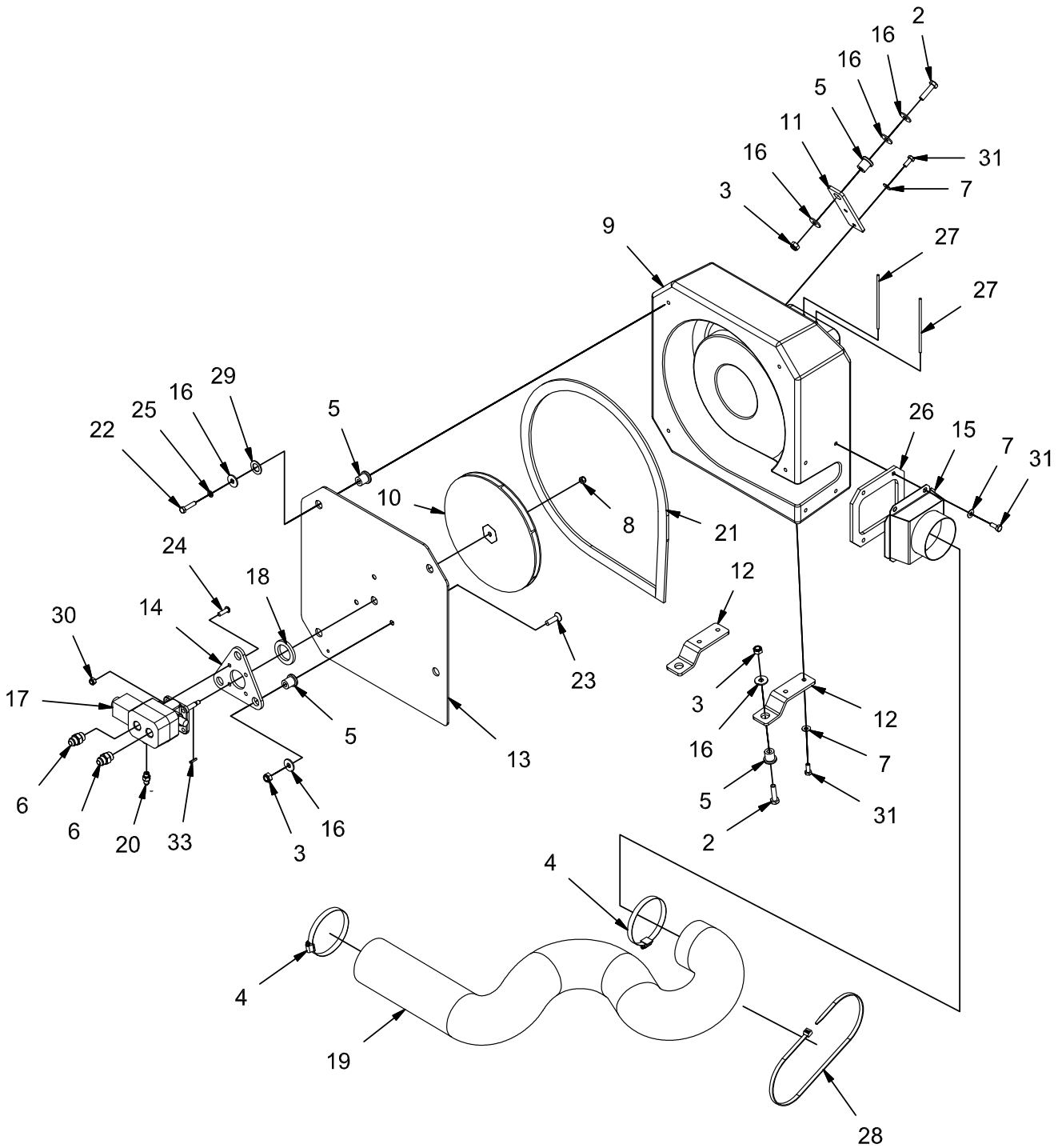


REV C

BUMPER GROUP (600626)

Parts List			
ITEM	PART NUMBER	QTY	DESCRIPTION
1	11038254	2	BOLT, M8-125 X 30 HH
2	12040051	2	NUT, M8-1.25 ESN
3	12040077	6	NUT-NYLOC M12-1.75 STL ZINC
4	12310041	2	WASHER, M8
5	3400087	4	WASHER, 3/8
6	3400101	4	LOCK WASHER, 3/8 HS MED
7	600151	1	GROMMET, .63 ID .88 OD .25 T
8	600226	4	BUMPER
9	600268	2	SHIM, BUMPER
10	600280	1	WELDMENT, FRONT BUMPER
11	600581	2	CLAMP, WIRE CLIP
12	600950	6	WASHER, M12
13	600956	6	BOLT, M12-1.75 X 25 HH
14	620209-1	4	ASSEMBLY, HEADLIGHT, 12VDC
15	711328	4	NUT, HEX 3/8-16

IMPELLER GROUP (600790)

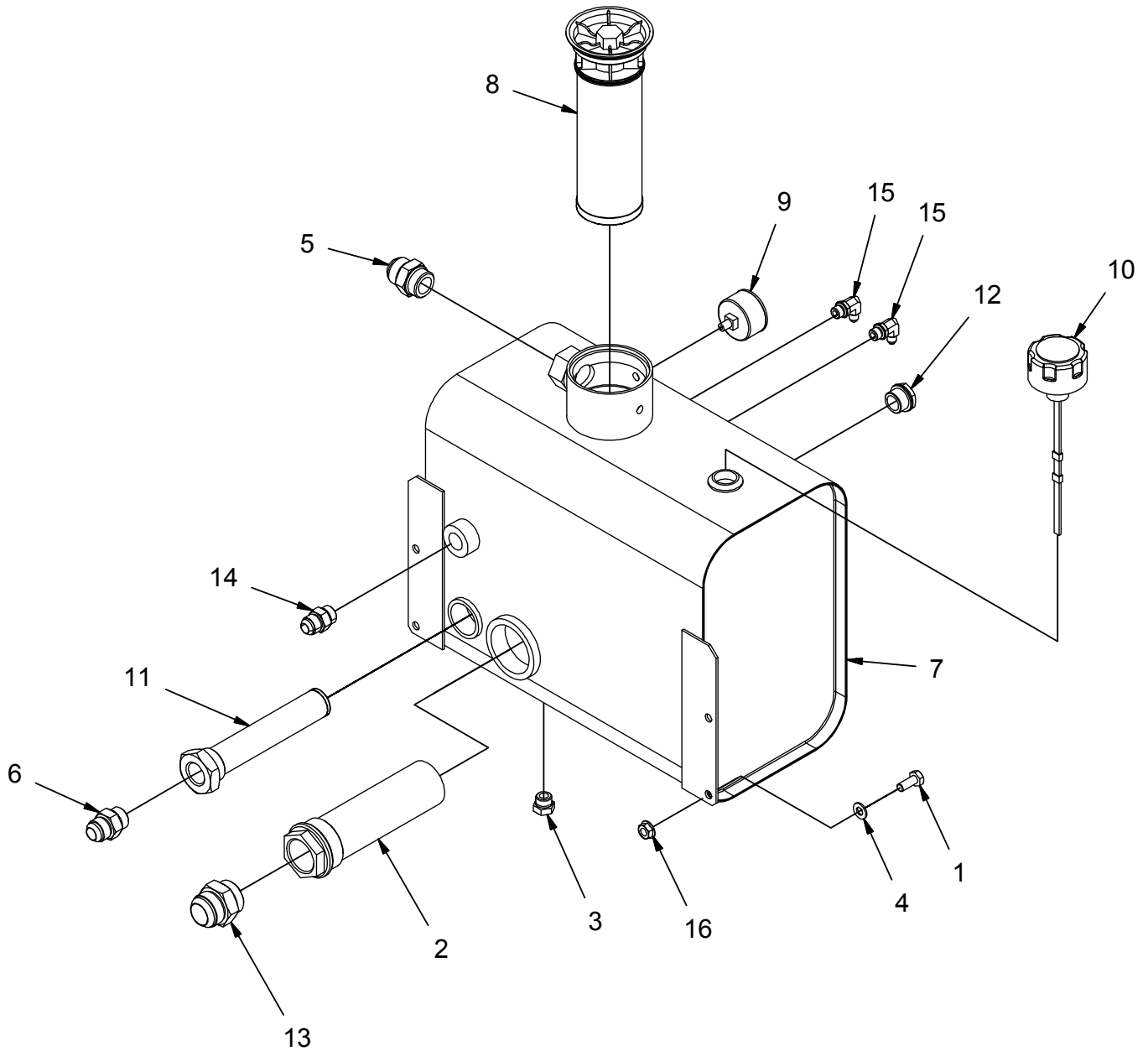


REV D

IMPELLER GROUP (600790)

Parts List			
ITEM	PART NUMBER	QTY	DESCRIPTION
1	000710	-	ADHESIVE 3M #847 (USED ON 600903)
2	11038395	3	BOLT, M10-1.50 X 40 HH
3	12040069	6	NUT, M10-1.50 ESN
4	3300351	2	CLAMP, HOSE, 4.50
5	3300465	10	ISOLATOR, VIB
6	3304899	2	FITTING, STR, 8 JIC - 8 O-RING
7	3400384	10	WASHER, 5/16 BELLEVILLE
8	3400420	1	NUT, 5/16-24 ESN
9	600100	1	SHROUD, IMPELLER
10	600101	1	ASSY, IMPELLER
11	600202	1	BRACKET, SHROUD, UPPER
12	600203	2	BRACKET, SHROUD, LOWER
13	600204	1	PLATE, SHROUD
14	600205	1	PLATE, MOTOR MNT
15	600206	1	WELDMENT, DIFFUSER
16	600363	12	WASHER, ISOLATOR
17	600366	1	MOTOR, IMPELLER
18	600469	1	SEAL, DUST
19	600574	1	HOSE, 4.00 IMPELLER
20	600587	1	FITTING, STR, 4 JIC - 4 O-RING
21	600903	1	SEAL, IMPELLER
22	600918	4	BOLT, M8-125 X 35 HH
23	600954	3	SCREW, M10-1.50 X 35 FHMS
24	600958	4	BOLT, 5/16-18 X 1.00 BUTTON HD CAP
25	600959	4	LOCK WASHER, M8
26	620028	1	GASKET, OUTLET
27	620031	2	ROD, GUARD
28	620037	1	CABLE TIE, .35 X 34
29	66-431-A	4	WASHER, .77 B 1.25 OD .075 T
30	711374	4	NUT, FIBER INSERT 5/16-18
31	717024	10	BOLT, M8-1.25 X 20 HH
33	PART OF 600366	1	KEY, .125 SQ X .75

HYDRAULIC RESERVOIR GROUP (600683)

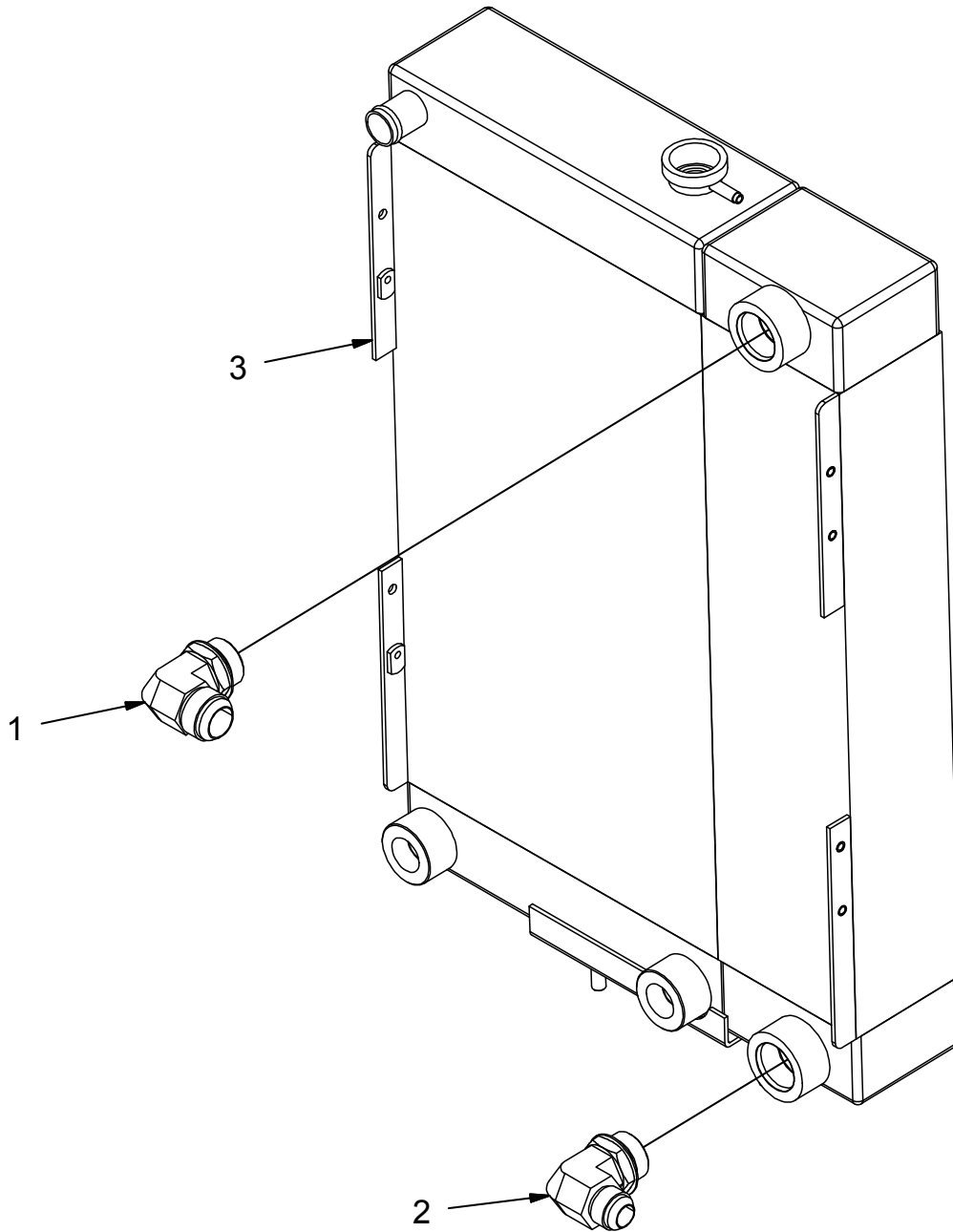


REV A

HYDRAULIC RESERVOIR GROUP (600683)

Parts List			
ITEM	PART NUMBER	QTY	DESCRIPTION
1	11038346	4	BOLT, M10-1.50 X 25 HH
2	3343836	1	STRAINER, HYDRAULIC, 20
3	3400164	1	FITTING, PLUG, 8 O-RING
4	3400385	4	WASHER, 3/8. BELLEVILLE
5	3400792	1	FITTING, STR, 16 JIC - 16 O-RING
6	3402002	1	FITTING, STR, 12 JIC - 12 O-RING
7	600180	1	TANK, HYD RESERVOIR
8	600182	1	FILTER ELEMENT, 10 MIC
9	600183	1	GAUGE, 0-60 PSI
10	600184	1	FILLER-BREATHING, 10 MIC
11	600185	1	STRAINER, 12
12	600531	1	SIGHT GAUGE
13	600585	1	FITTING, STR, 20 JIC - 20 O-RING
14	600586	1	FITTING, STR, 10 JIC - 10 O-RING
15	600596	2	FITTING, 90, 4 JIC - 6 O-RING
16	600936	4	NUT, M10-1.50 FLNG

OIL COOLER GROUP (600609)

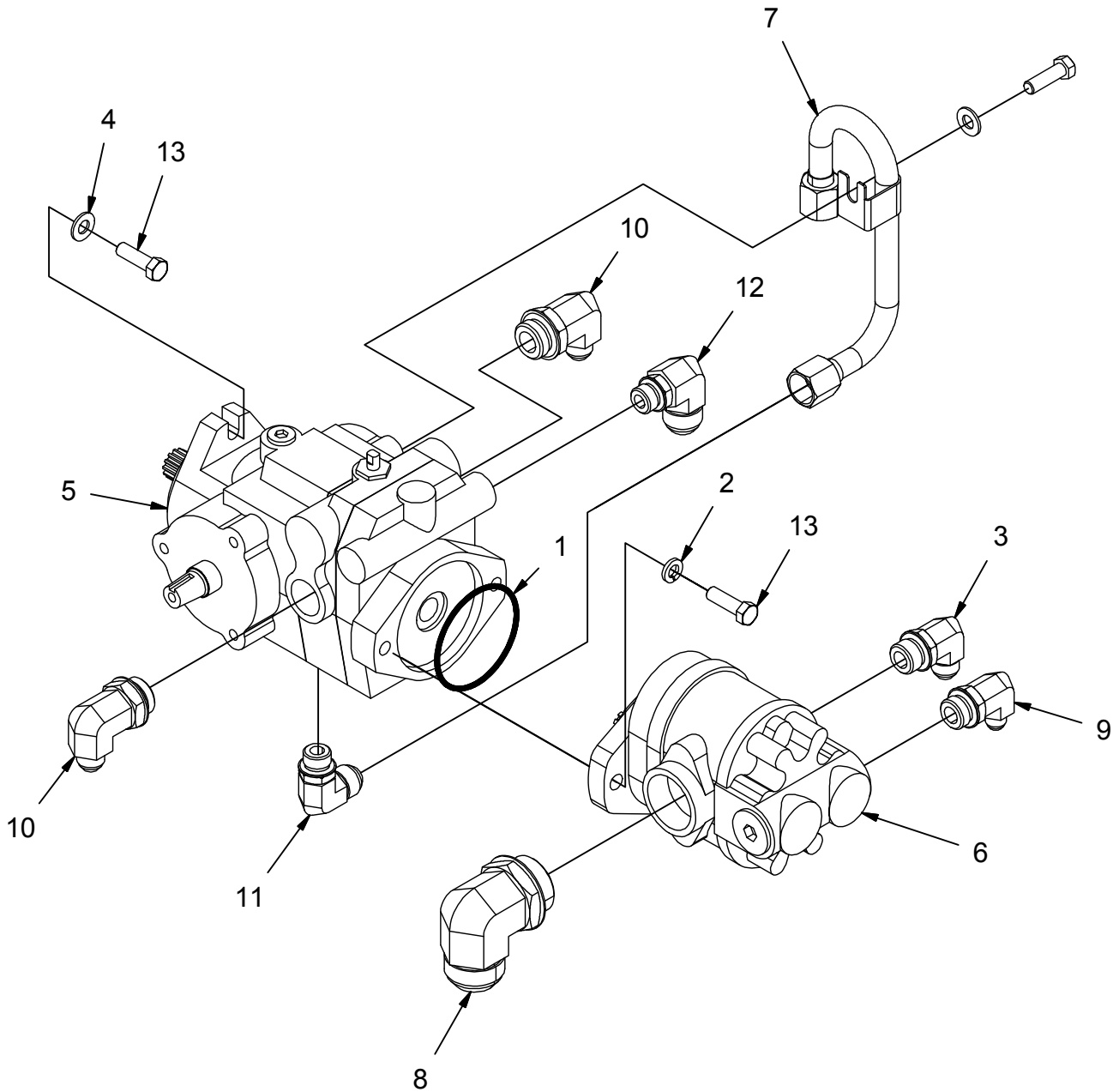


REV *

OIL COOLER GROUP (600609)

Parts List			
ITEM	PART NUMBER	QTY	DESCRIPTION
1	600591	1	FITTING, 90, 16 JIC - 16 O-RING
2	600593	1	FITTING, 90, 12 JIC - 16 O-RING
3	REF	-	RADIATOR - OIL COOLER

HYDRAULIC PUMP GROUP (600606)

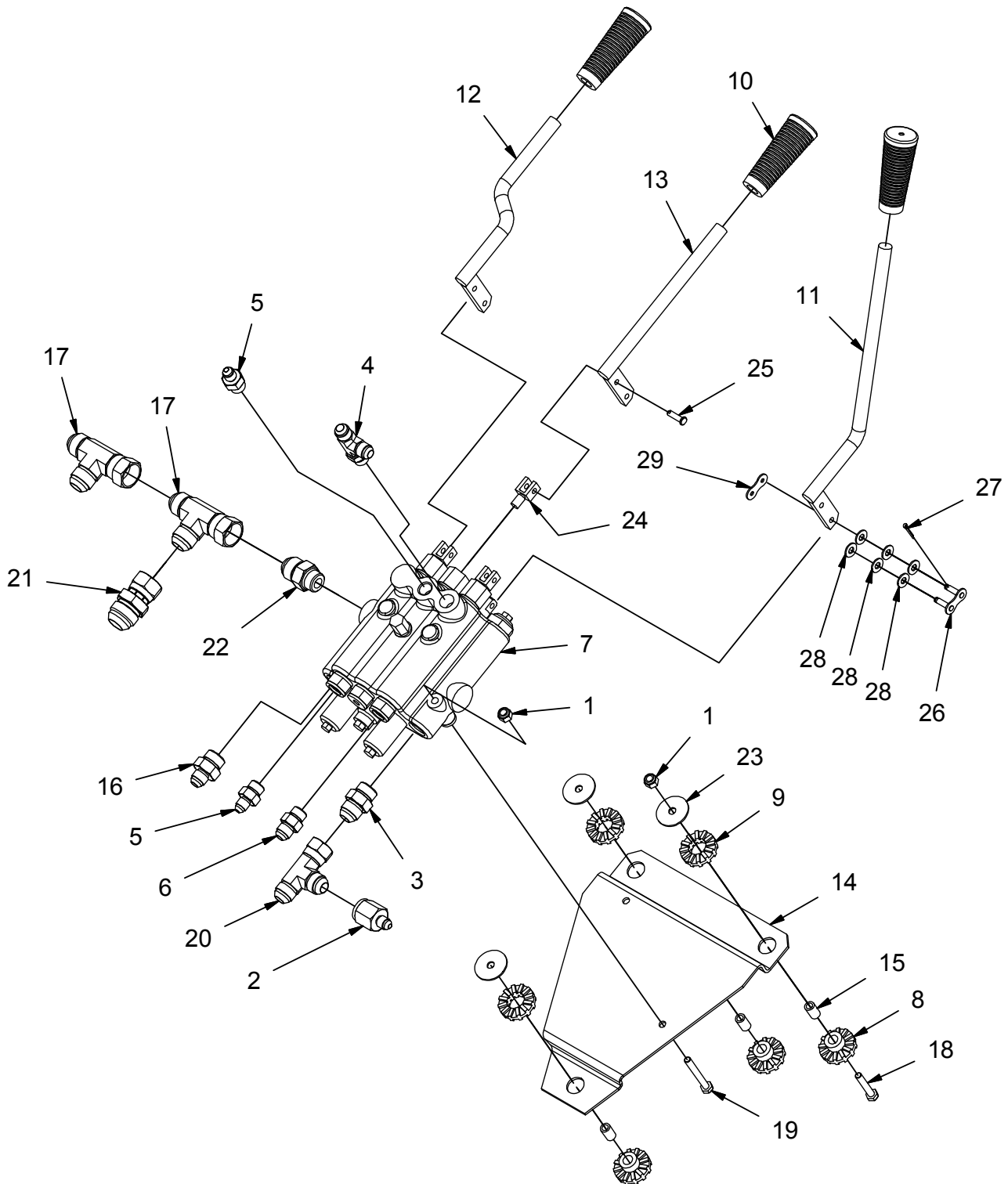


REV *

HYDRAULIC PUMP GROUP (600606)

Parts List			
ITEM	PART NUMBER	QTY	DESCRIPTION
1	3303711	1	O-RING
2	3400101	2	LOCK WASHER, 3/8 HS MED
3	3400155	1	FITTING, 90, 8 JIC - 10 O-RING
4	3400385	2	WASHER, 3/8. BELLEVILLE
5	600215	1	PUMP, PROPULSION
6	600216	1	PUMP, AUX
7	600519	1	TUBE, PUMP DRAIN
8	600590	1	FITTING, 90, 20 JIC - 20 O-RING
9	600592	1	FITTING, 90, 6 JIC - 10 O-RING
10	600594	2	FITTING, 90, 8 JIC - 12 O-RING
11	600595	1	FITTING, 90, 10 JIC - 8 O-RING
12	620058	1	FITTING, 90, 12 JIC - 8 O-RING
13	713043	4	SCREW, 3/8-16 X 1.25 HH

HYDRAULIC VALVE GROUP (600685)

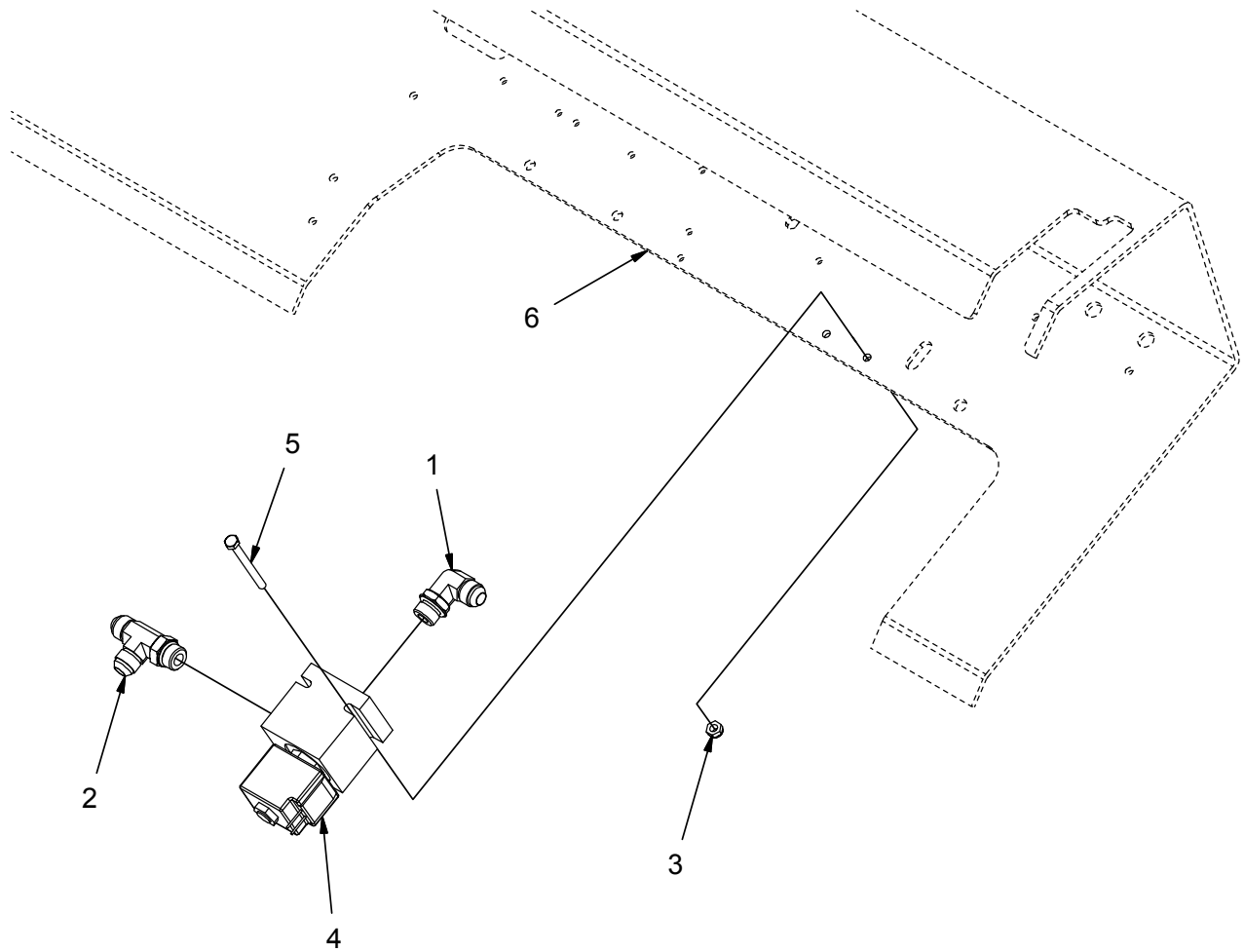


REV B

HYDRAULIC VALVE GROUP (600685)

Parts List			
ITEM	PART NUMBER	QTY	DESCRIPTION
1	12040044	5	NUT, M6-1.00 ESN
2	3302408	1	FITTING, REDUCER, 8 JIC FEM SWIVEL - 4 JIC
3	3304899	1	FITTING, STR, 8 JIC - 8 O-RING
4	3338185	1	FITTING, RUN TEE, 6 JIC- 6 JIC - 6 O-RING
5	3400264	2	FITTING, STR, 4-6
6	3400635	1	FITTING, STR, 6 JIC - 6 O-RING
7	600214	1	HYDRAULIC VALVE. 3-SPOOL
8	600218	3	ISOLATOR, MALE
9	600219	3	ISOLATOR - FEMALE
10	600263	3	HANDLE GRIP, .50
11	600532	1	LEVER, SWEEP CONT
12	600535	1	LEVER, HOPPER DOOR
13	600537	1	LEVER, HOPPER
14	600539	1	PLATE, VALVE MNT
15	600541	3	SPACER, .245 B .375 OD .625 T
16	600589	1	FITTING, STR, 6 JIC - 8 O-RING
17	600597	2	FITTING, RUN TEE, 10 JIC - 10 JIC - 10 JIC FEM SWIVEL
18	600952	3	BOLT, M6-1.00 X 35 HH
19	600953	2	BOLT, M6-1.00 X 50 HH
20	600967	1	FITTING, RUN TEE, 8 JIC - 8 JIC - 8 JIC FEM SWIVEL
21	600996	1	FITTING, ADAPT, 12 JIC - 10 JIC FEM SWIVEL
22	600997	1	FITTING, STR, 10 JIC - 8 O-RING
23	620045	3	WASHER, .25 ID X 1.25 OD X .063 T
24	620140	3	CLEVIS, STEEL
25	620141	3	CLEVIS PIN, 3/16 X 3/4
26	620142	3	CHAIN LINK W/SPRING CLIP
27	620143	3	COTTERPIN, 5/64 X 1/2
28	711504	18	WASHER, .56 OD .253 ID .048 T SS
29	PART OF 620142	3	CHAIN LINK PLT

MAIN BROOM INTERLOCK GROUP (600644)

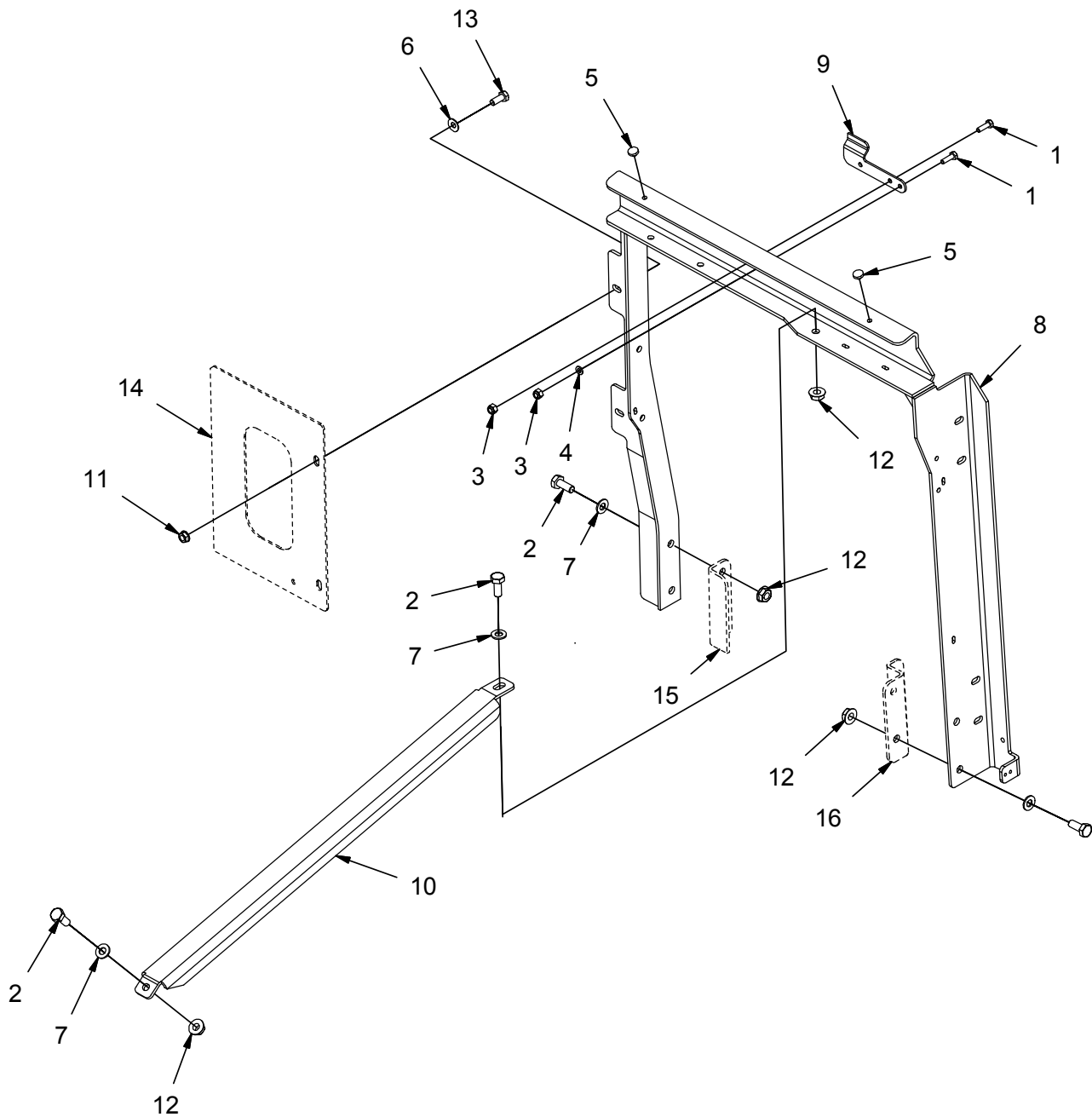


REV *

MAIN BROOM INTERLOCK GROUP (600644)

Parts List			
ITEM	PART NUMBER	QTY	DESCRIPTION
1	3400154	1	FITTING, 90, 8 JIC - 8 O-RING
2	3400163	1	FTG, RUN TEE, 8 O-RING - 8 JIC - 8 JIC
3	600933	2	NUT, M6-1.00 ESN SS
4	620134-1	1	VALVE, SOLENOID, 2-POS 2-WAY, N.C.
5	620135	2	BOLT, M6-100 X 65 HH ZP
6	REF.	-	FRAME

COVER FRAME GROUP (600780)

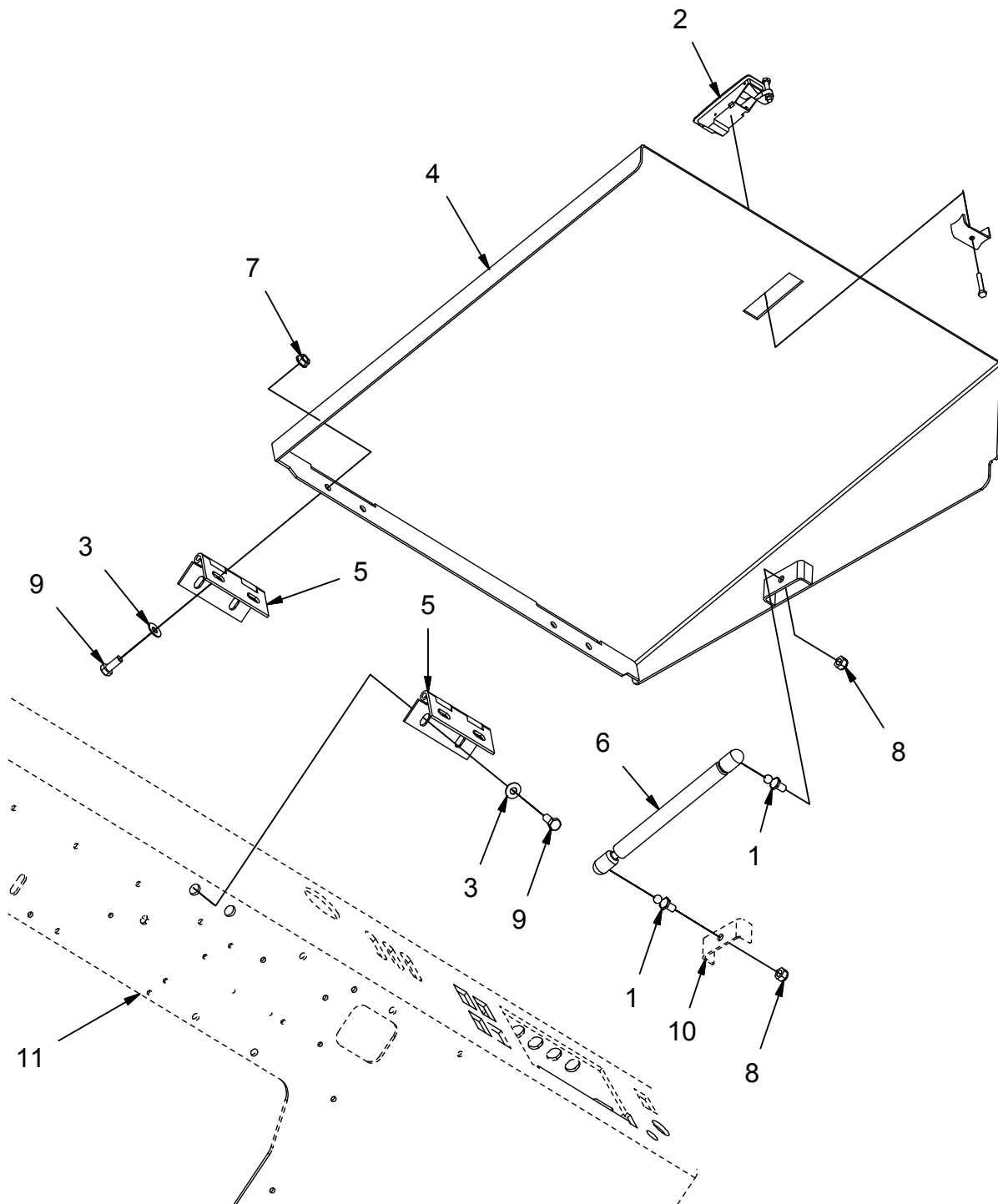


REV *

COVER FRAME GROUP (600780)

Parts List			
ITEM	PART NUMBER	QTY	DESCRIPTION
1	11038098	3	BOLT, M6-100 X 20 HH
2	11038346	6	BOLT, M10-1.50 X 25 HH
3	12040044	3	NUT, M6-1.00 ESN
4	12310033	2	WASHER, M6
5	3300526	2	BUMPER, .25 ID .125 T
6	3400384	2	WASHER, 5/16 BELLEVILLE
7	3400385	6	WASHER, 3/8. BELLEVILLE
8	600356	1	WELDMENT, COVER FRAME
9	600362	1	HINGE LOCK
10	600367	1	CHANNEL, SUPPORT
11	600934	2	NUT, M8-1.25 FLNG
12	600936	6	NUT, M10-1.50 FLNG
13	717024	2	BOLT, M8-1.25 X 20 HH
14	REF	-	CONSOLE
15	REF	-	FRAME
16	REF	-	FRAME

TOP COVER GROUP (600760)

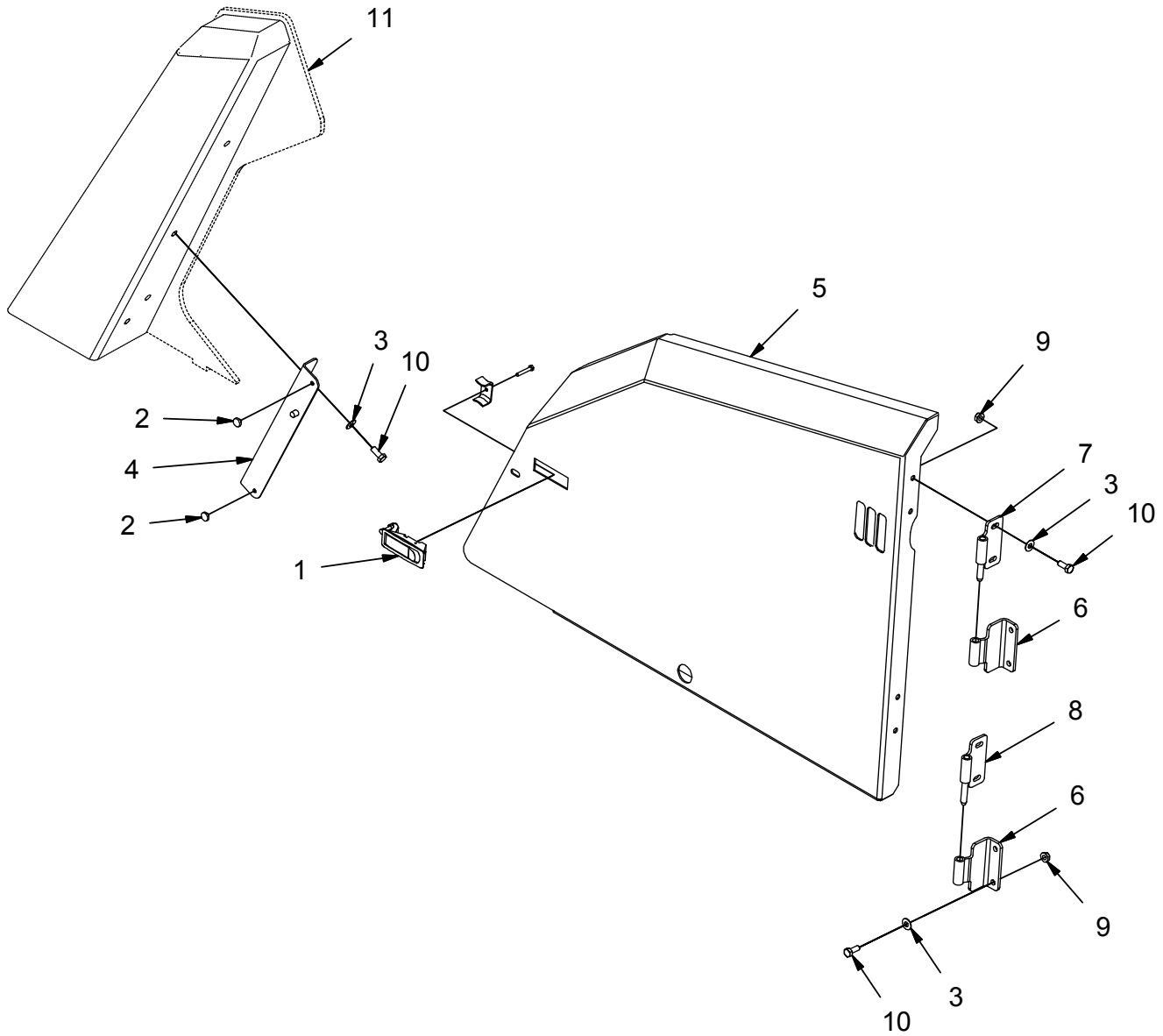


REV A

TOP COVER GROUP (600760)

Parts List			
ITEM	PART NUMBER	QTY	DESCRIPTION
1	3300376	2	STUD, 10MM BALL
2	3300380	1	LATCH ASSY
3	3400384	8	WASHER, 5/16 BELLEVILLE
4	600165	1	WELDMENT, TOP COVER
5	600369	2	HINGE, 4"
6	600508	1	GAS STRUT
7	600934	4	NUT, M8-1.25 FLNG
8	711374	2	NUT, FIBER INSERT 5/16-18
9	717024	8	BOLT, M8-1.25 X 20 HH
10	REF.	-	CONSOLE
11	REF.	-	FRAME

SIDE DOOR GROUP (600750)

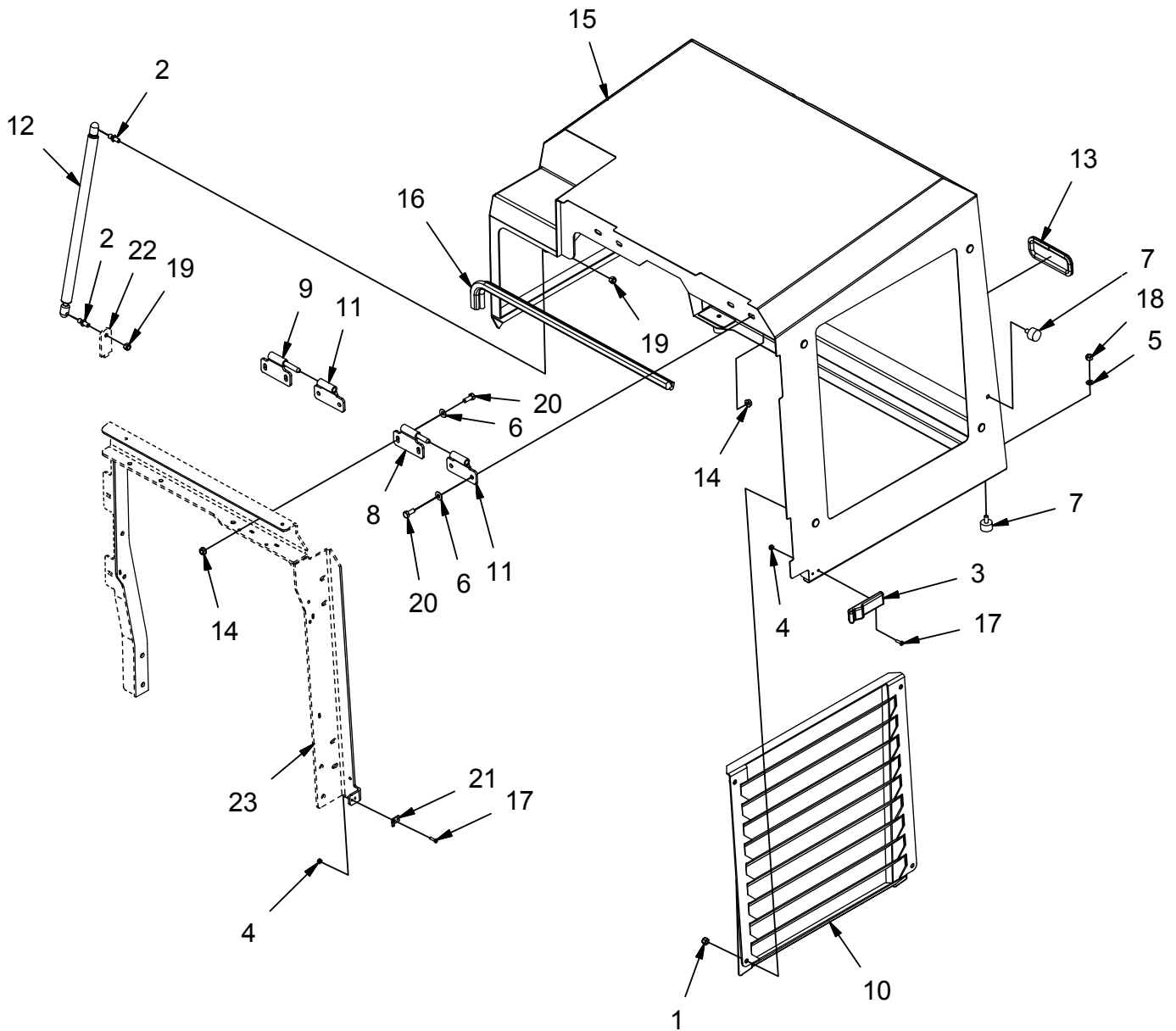


REV *

SIDE DOOR GROUP (600750)

Parts List			
ITEM	PART NUMBER	QTY	DESCRIPTION
1	3300380	1	LATCH ASSY
2	3300526	2	BUMPER, .25 ID .125 T
3	3400384	10	WASHER, 5/16 BELLEVILLE
4	600170	1	WELDMENT, DOOR STRIKER
5	600364	1	SIDE DOOR
6	600377	2	WELDMENT, HINGE, FEM
7	600380	1	WELDMENT, HINGE, MALE
8	600383	1	WELDMENT, HINGE, MALE, LG
9	600934	8	NUT, M8-1.25 FLNG
10	717024	10	BOLT, M8-1.25 X 20 HH
11	REF.	-	FRAME

ENGINE COVER GROUP (600661)

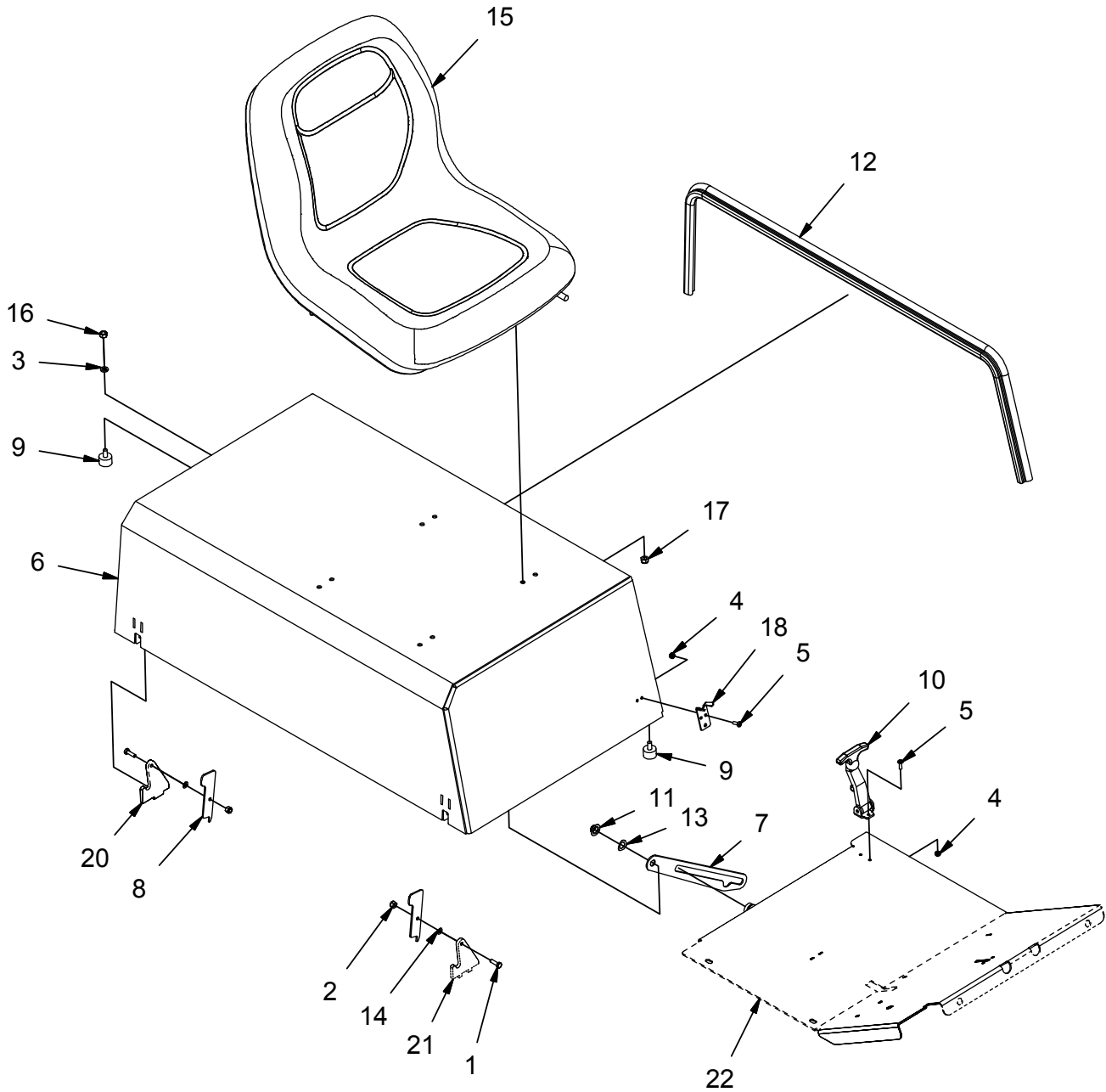


REV *

ENGINE COVER GROUP (600661)

Parts List 600661			
ITEM	PART NUMBER	QTY	DESCRIPTION
1	12040051	4	NUT, M8-1.25 ESN
2	3300376	2	STUD, 10MM BALL
3	3307719	1	DRAW LATCH
4	3400082	4	NUT, FIBER INSERT #8-32
5	3400102	3	LOCK WASHER, 5/16 HS MED
6	3400384	8	WASHER, 5/16 BELLEVILLE
7	600220	3	BUMPER, 1.00 X .625 T
8	600380	1	WELDMENT, HINGE, MALE
9	600383	1	WELDMENT, HINGE, MALE, LG
10	600470	1	WELDMENT, GRILL
11	600484	2	WELDMENT, HINGE, FEM
12	600507	1	GAS STRUT, 30.9 EXT X 13.8 STK
13	600582	1	EDGING
14	600934	8	NUT, M8-1.25 FLNG
15	620636	1	WELDMENT, ENGINE COVER
16	620642	1	EDGING, ENG COVER
17	710230	4	SCREW, #8-32 X .62 PAN HD
18	711319	3	NUT, HEX 5/16-18
19	711374	2	NUT, FIBER INSERT 5/16-18
20	717024	8	BOLT, M8-1.25 X 20 HH
21	PART OF 3307719	1	KEEPER
22	REF	-	FRAME
23	REF	-	COVER FRAME

PUMP COVER GROUP (600610)

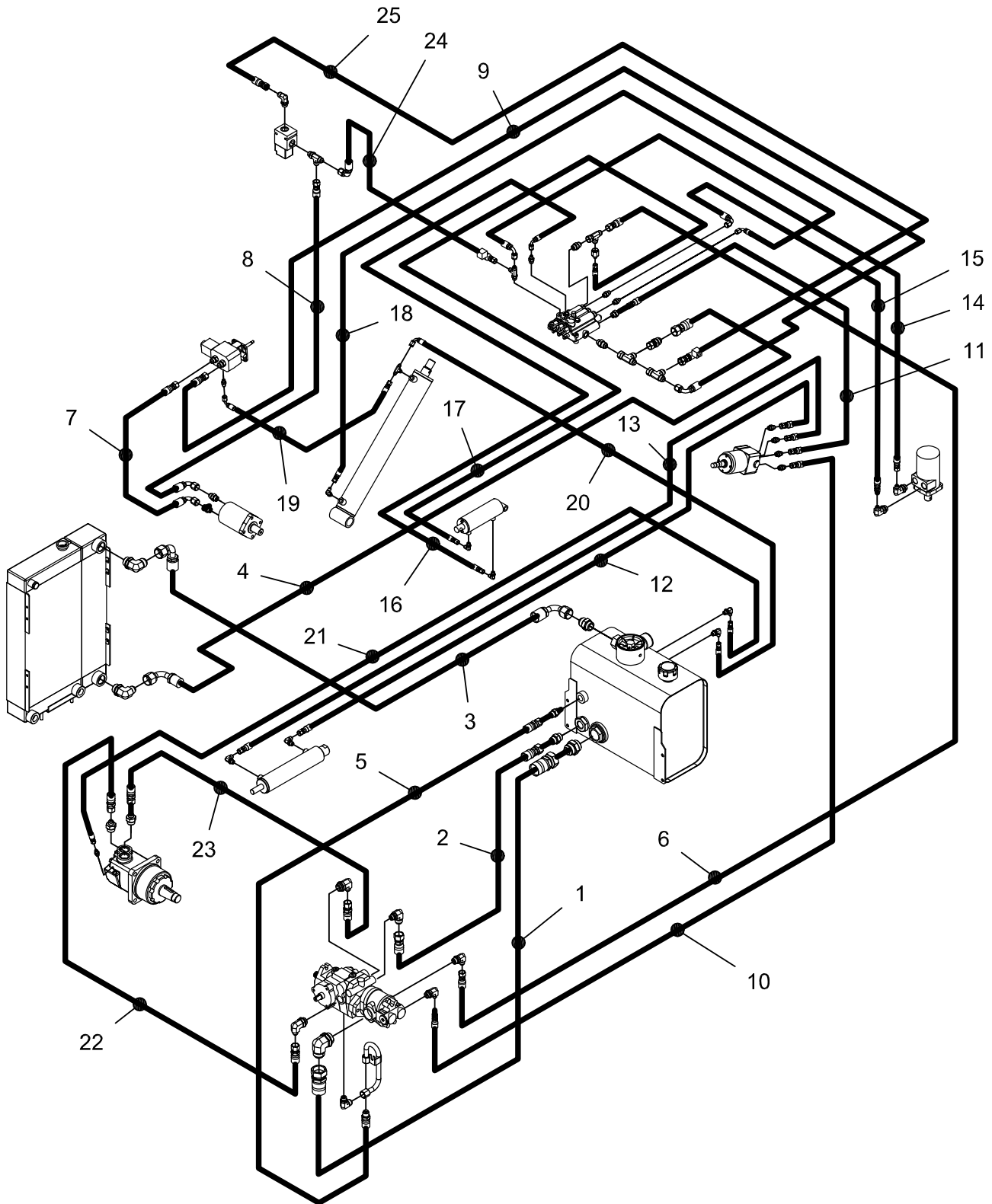


REV A

PUMP COVER GROUP (600610)

Parts List			
ITEM	PART NUMBER	QTY	DESCRIPTION
1	11038098	2	BOLT, M6-100 X 20 HH
2	12040044	2	NUT, M6-1.00 ESN
3	3400102	2	LOCK WASHER, 5/16 HS MED
4	3400172	4	NUT, 10-32 ESN
5	3400204	4	SCREW, #10-32 X .625 PAN HD ZP
6	600155	1	WELDMENT, PUMP COVER
7	600193	1	RETAINER, COVER
8	600194	2	LATCH, COVER
9	600220	2	BUMPER, 1.00 X .625 T
10	600265	1	LATCH, T-HANDLE
11	600524	1	AXLE CAP NUT, .500
12	600819	1	EDGING, HOPPER ACCESS
13	600948	1	WASHER, .50 CURVED SPRING
14	600963	2	WASHER, M6, CURVED SPRING
15	620219	1	SEAT
16	711319	2	NUT, HEX 5/16-18
17	711374	4	NUT, FIBER INSERT 5/16-18
18	PART OF 600265	1	KEEPER
19	PART OF 600265	1	LATCH BASE
20	REF.	1	FRAME
21	REF.	1	FRAME
22	REF.	1	FLOOR

HYDRAULIC HOSE GROUP (600850)

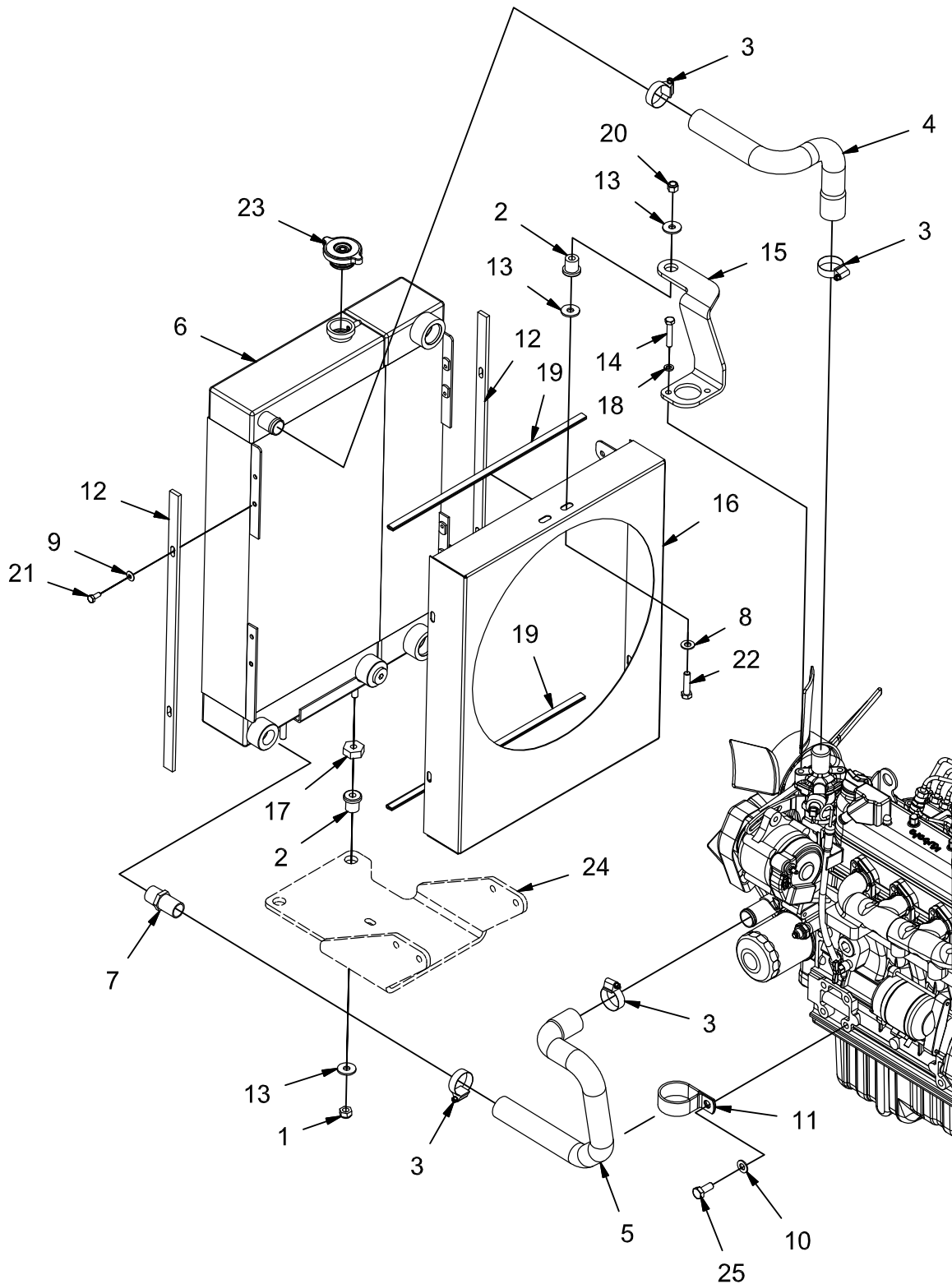


REV C

HYDRAULIC HOSE GROUP (600850)

Parts List			
ITEM	PART NUMBER	QTY	DESCRIPTION
1	600968	1	HOSE, 20 STR - 20 STR SUC (RES TO AUX)
2	600969	1	HOSE, 12 STR - 12 STR SUC (RES TO CASE)
3	620084	1	HOSE, 16 90 - 16 90 RET (COOLER TO RES)
4	600971	1	HOSE, 12 STR - 12 90 RET (VALVE TO COOLER)
5	600972	1	HOSE, 10 STR - 10 STR MALE RET (CASE TO RES)
6	600973	1	HOSE, 8 STR - 8 STR MED (AUX TO VALVE)
7	600974	1	HOSE, 8 STR - 8 90 MED (MB TO IMP)
8	600975	1	HOSE, 8 STR - 8 90 MED (SOLENOID TO MB)
9	600977	1	HOSE, 8 STR - 10 90 MED (IMP TO VALVE RET)
10	600978	1	HOSE, 6 STR - 6 STR MED (AUX TO STR PRESS)
11	600979	1	HOSE, 6 STR - 6 STR MED (STR TO VALVE RET)
12	600980	1	HOSE, 6 STR - 6 STR MED (STR TO CYL F)
13	600981	1	HOSE, 6 STR - 6 STR MED (STR TO CYL R)
14	600982	1	HOSE, 6 STR - 6 90 MED (SB TO MB THRU VALVE)
15	600983	1	HOSE, 6 STR - 6 90 MED (VALVE TO SB)
16	600984	1	HOSE, 4 STR - 4 90 MED (VALVE TO DOOR CYL F)
17	600985	1	HOSE, 4 STR - 4 STR MED (VALVE TO DOOR CYL R)
18	600986	1	HOSE, 4 STR - 4 90 MED (VALVE TO LIFT CYL L)
19	600987	1	HOSE, 4 STR - 4 90 RET (IMP TO LIFT CYL U)
20	600988	1	HOSE, 4 STR - 4 STR RET (LIFT CYL U TO RES)
21	600989	1	HOSE, 4 STR - 4 STR RET (WM CASE TO RES)
22	600990	1	HOSE, 8 STR - 8 STR SPCL (VDP R TO WM R)
23	600991	1	HOSE, 8 STR - 8 STR SPCL (VDP F TO WM L)
24	620121	1	HOSE, 6 STR - 8 90 MED (VALVE OUT TO SOLENOID)
25	620122	1	HOSE, 8 STR - 10 STR MED (SOLENOID TO VALVE RET)

RADIATOR GROUP - DIESEL, GAS, LPG (600615)

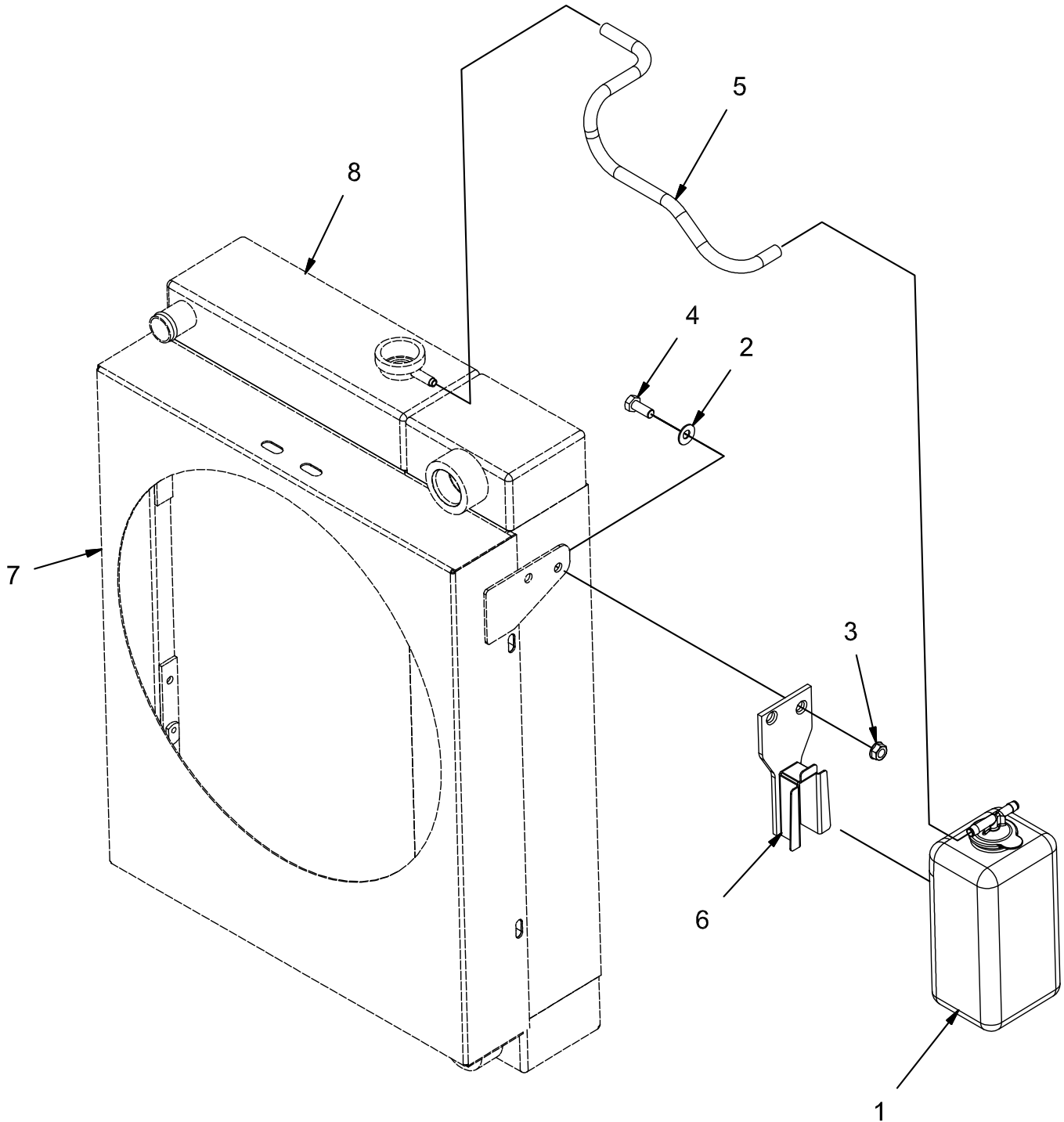


REV D

RADIATOR GROUP - DIESEL, GAS, LPG (600615)

Parts List			
ITEM	PART NUMBER	QTY	DESCRIPTION
1	12040069	2	NUT, M10-1.50 ESN
2	3300465	3	ISOLATOR, VIB
3	3302193	4	CLAMP, HOSE, .75 - 1.25
4	3332643	1	HOSE, UPPER RAD, DIESEL
5	690020	1	HOSE, LOWER RAD, DIESEL
6	3336679-1	1	RADIATOR - OIL COOLER
7	3344231	1	FITTING, RADIATOR
8	3400087	1	WASHER, 3/8
9	3400383	4	WASHER, 1/4 BELLEVILLE
10	3400385	1	WASHER, 3/8. BELLEVILLE
11	3402005	1	CLAMP, 2"
12	600198	2	SPACER, SHROUD
13	600363	4	WASHER, ISOLATOR
14	600820	2	BOLT, M8-1.25 X 45 HH
15	600867	1	MOUNT, UPPER SHROUD, DIESEL
16	600875	1	WELDMENT, FAN SHROUD, DIESEL
17	600884	2	WASHER, ISOLATOR
18	600959	2	LOCK WASHER, M8
19	620064	2	SEAL, SHROUD
20	711380	1	NUT, FIBER INSERT 3/8-16
21	713001	4	SCREW, 1/4-20 X .625 HHC
22	713044	1	SCREW, 3/8-16 X 1.500 HHC
23	PART OF 3336679	1	RADIATOR CAP
24	REF	-	FRONT ENGINE MOUNT
25	REF.	-	BOLT, ENGINE MOUNT
26	REF.	-	ENGINE, DIESEL

RADIATOR OVERFLOW GROUP (600602)

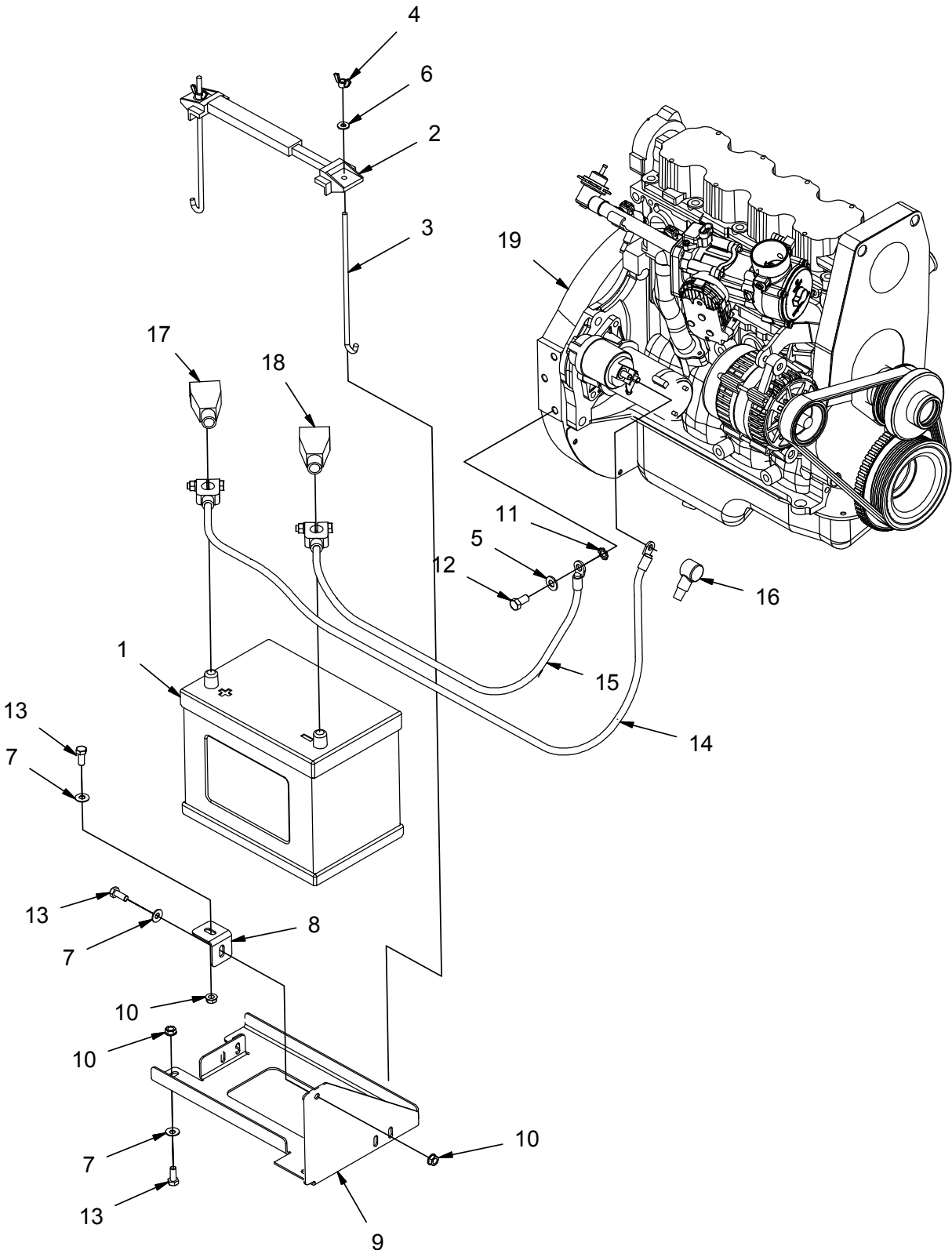


REV A

RADIATOR OVERFLOW GROUP (600602)

Parts List			
ITEM	PART NUMBER	QTY	DESCRIPTION
1	3318752	1	OVERFLOW BOTTLE
2	3400384	2	WASHER, 5/16 BELLEVILLE
3	600934	2	NUT, M8-1.25 FLNG
4	717024	2	BOLT, M8-1.25 X 20 HH
5	PART OF 3318752	1	HOSE,OVERFLOW
6	PART OF 3318752	1	BRACKET, BOTTLE
7	REF.	-	FAN SHROUD, DIESEL
8	REF.	-	RADIATOR

BATTERY GROUP (600770)

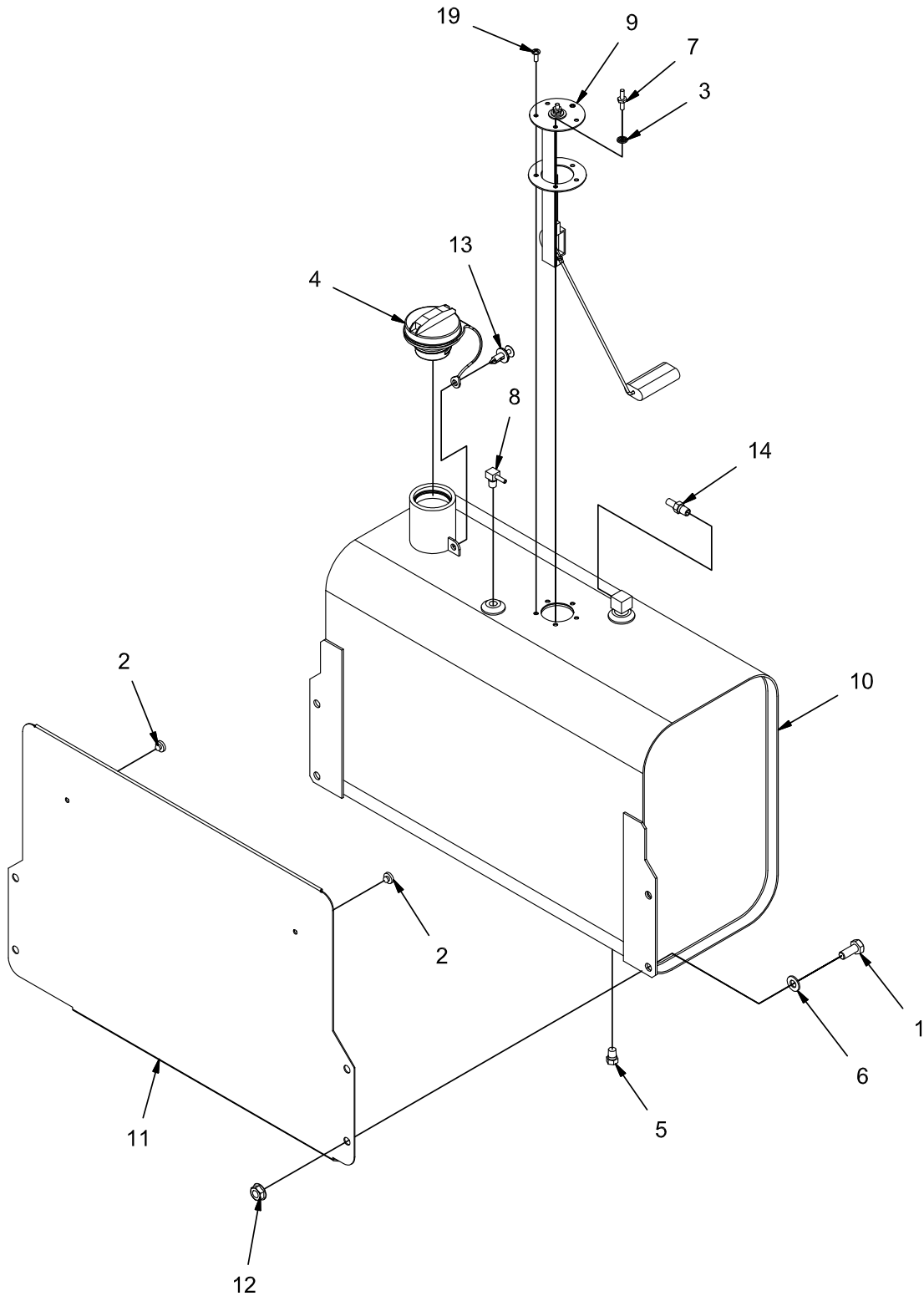


REV B

BATTERY GROUP (600770)

Parts List			
ITEM	PART NUMBER	QTY	DESCRIPTION
1	3300440	1	BATTERY, 12V
2	3301076	1	HOLD DOWN, BATTERY
3	3301079	2	ROD, BATTERY TIE DOWN
4	3400085	2	WING NUT, 1/4-20 ZP
5	3400087	1	WASHER, 3/8
6	3400089	2	WASHER, 1/4 .625 X .281 X .063
7	3400384	5	WASHER, 5/16 BELLEVILLE
8	600512	1	CLIP
9	600513	1	BATTERY TRAY
10	600934	5	NUT, M8-1.25 FLNG
11	600946	1	LOCK WASHER, 3/8 INT STAR
12	713041	1	SCREW, 3/8-16 X .750 HHC
13	717024	5	BOLT, M8-1.25 X 20 HH
14	748901	1	CABLE, BATTERY, POS
15	748902	1	CABLE, BATTERY, NEG
16	PART OF 748901	1	BOOT, TERM, RED
17	PART OF 748901	1	BOOT, BATTERY, RED
18	PART OF 748902	1	BOOT, BATTERY, BLACK
19	REF.	-	ENGINE

FUEL TANK GROUP - DIESEL (600618)

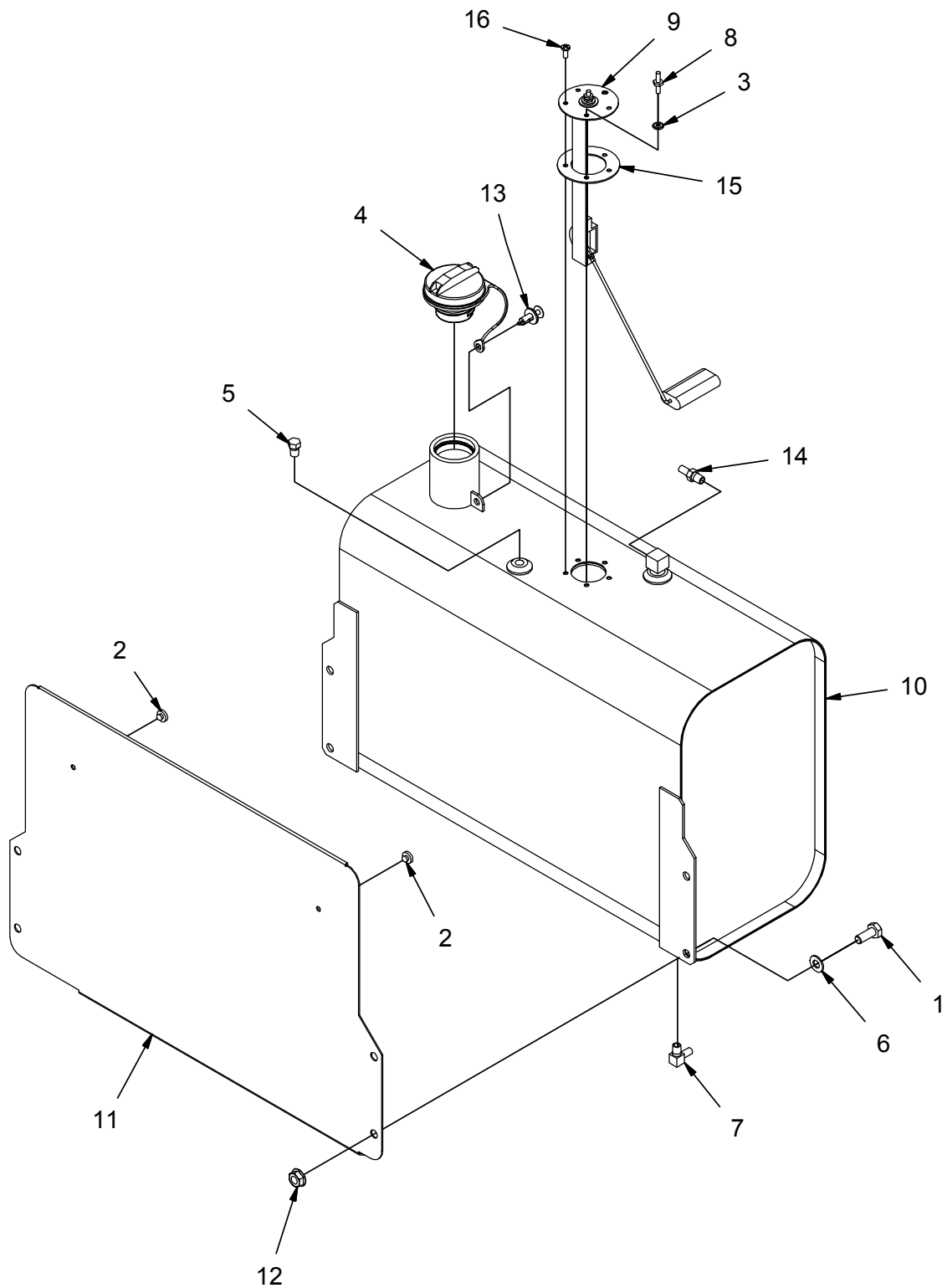


REV F

FUEL TANK GROUP - DIESEL (600618)

Parts List			
ITEM	PART NUMBER	QTY	DESCRIPTION
1	11038346	4	BOLT, M10-1.50 X 25 HH
2	3300526	2	BUMPER, .25 ID .125 T
3	3337019	1	SEAL, #10
4	3343413	1	CAP, FUEL TANK
5	3400256	1	PLUG, 1/4 NPT
6	3400385	4	WASHER, 3/8. BELLEVILLE
7	3401579	1	SCREW, HEX, STANDOFF, 2X #10-32 X .50
8	3402022	1	FITTING, 90, 1/4 NPT X .184 BARB
9	600179	1	SENDING UNIT, FUEL LEVEL
10	600181	1	FUEL TANK
11	600505	1	OVERFLOW PLT
12	600936	4	NUT, M10-1.50 FLNG
13	600965	1	FASTENER, PRESS-IN
14	620052	1	FITTING, STR, 1/4 NPT - 5/16 BARB
-	748937	1	WIRE ASSY - FUEL SENDING UNIT
-	748938	1	FUEL GAUGE ASSEMBLY INSTRUCTIONS
-	748946	1	QC5, WIRE JUNCTION
18	PART OF 84-2041	1	GASKET
19	PART OF 84-2041	4	SCREW #10-32 X .50

FUEL TANK GROUP - GAS (600634)

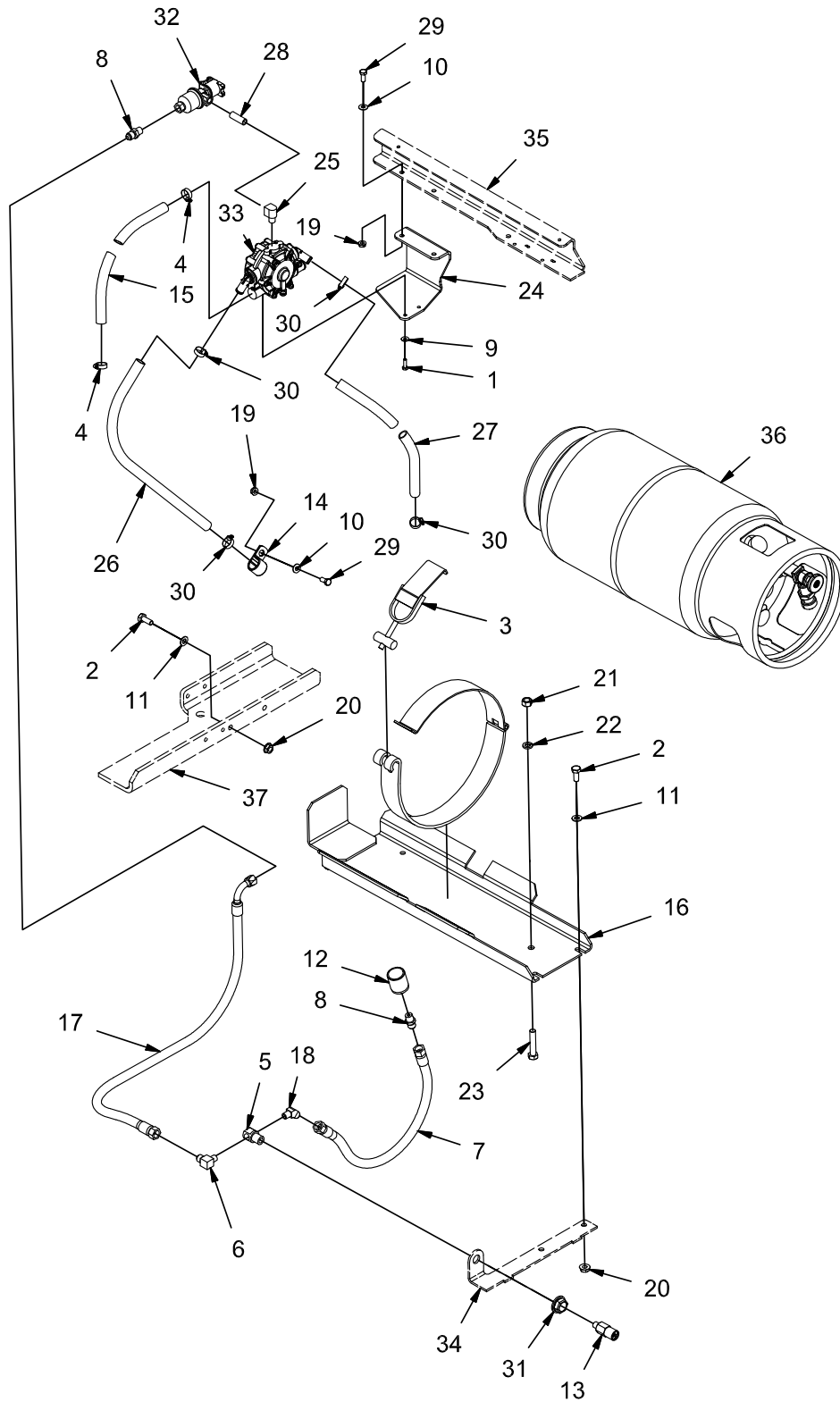


REV F

FUEL TANK GROUP - DIESEL (600634)

Parts List			
ITEM	PART NUMBER	QTY	DESCRIPTION
1	11038346	4	BOLT, M10-1.50 X 25 HH
2	3300526	2	BUMPER, .25 ID .125 T
3	3337019	1	SEAL, #10
4	3343413	1	CAP, FUEL TANK
5	3400256	1	PLUG, 1/4 NPT
6	3400385	4	WASHER, 3/8. BELLEVILLE
7	3401445	1	FITTING, 90, 1/4 NPT X 5/16 BARB
8	3401579	1	SCREW, HEX, STANDOFF, 2X #10-32 X .50
9	600179	1	SENDING UNIT, FUEL LEVEL
10	600181	1	FUEL TANK
11	600505	1	OVERFLOW PLT
12	600936	4	NUT, M10-1.50 FLNG
13	600965	1	FASTENER, PRESS-IN
14	620052	1	FITTING, STR, 1/4 NPT - 5/16 BARB
15	PART OF 84-2041	1	GASKET
16	PART OF 84-2041	4	SCREW #10-32 X .50
-	748937	1	WIRE ASSY - FUEL SENDING UNIT
-	748938	1	FUEL GAUGE ASSEMBLY INSTRUCTIONS
-	748946	1	QC5, WIRE JUNCTION

LPG TANK GROUP (600710)

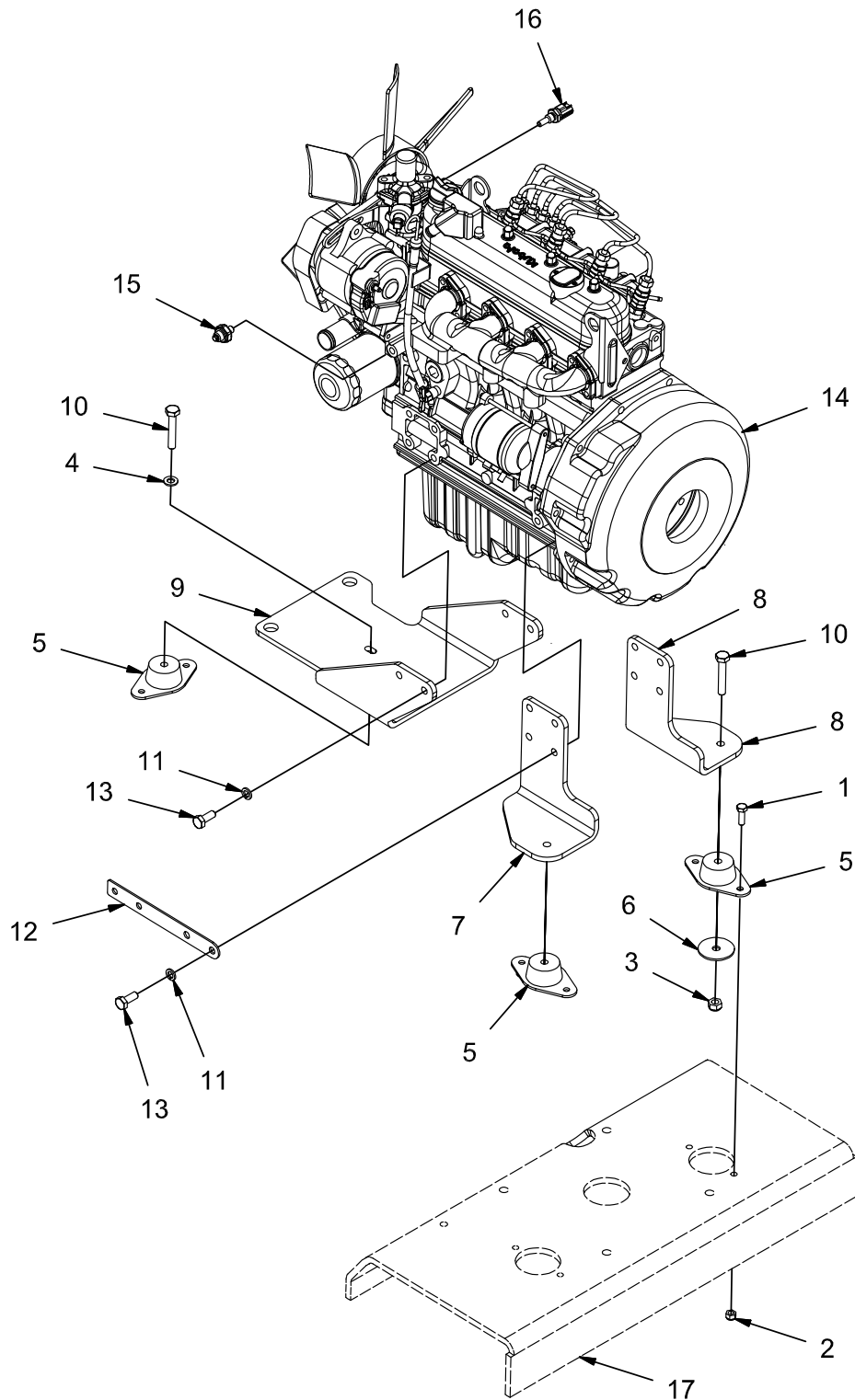


REV F

LPG TANK GROUP (600710)

Parts List			
ITEM	PART NUMBER	QTY	DESCRIPTION
1	11038098	2	BOLT, M6-100 X 20 HH
2	11038346	4	BOLT, M10-1.50 X 25 HH
3	220131	1	BUCKLE
4	3300535	2	CLAMP, HOSE, .50
5	3316511	1	BOD, VALVE MOUNT
6	3334037	1	FITTING, 90, BRASS, LPG
7	3335375	1	HOSE, LPG, TO TANK
8	3342097	2	FTG 3/8 MALE SAE FLARE X 1/4 NPT
9	3400383	2	WASHER, 1/4 BELLEVILLE
10	3400384	3	WASHER, 5/16 BELLEVILLE
11	3400385	4	WASHER, 3/8. BELLEVILLE
12	3400860	1	FTG-LP TANK CONNECT
13	3400862	1	LPG RELIEF VALVE
14	3400999	1	CLAMP, HOSE
15	620666	1	HOSE, LP, 3/4 ID, 24 IN LG
16	600459	1	WELDMENT, LPG MNT
17	600906	1	HOSE, LPG, TO ENG
18	600908	1	FITTING, 45, BRASS, LPG
19	600934	3	NUT, M8-1.25 FLNG
20	600936	4	NUT, M10-1.50 FLNG
21	600949	1	NUT, M12-1.75
22	600961	1	LOCK WASHER, M12
23	620036	1	BOLT, M12-1.75 X 60 HH FULL THREAD
24	620237	1	MOUNT, VAPORIZER
25	620238	1	FITTING, 1/4 NPT STREET ELBOW, BRASS
26	620654	1	HOSE, WATER PUMP OUTLET
27	620655	1	HOSE, WATER RETURN
28	620663	1	FITTING, NIPPLE
29	717024	3	BOLT, M8-1.25 X 20 HH
30	829129	4	CLAMP, HOSE
31	PART OF 3316511	1	NUT, VALVE MOUNT
32	PART OF ENGINE	1	SOLENOID AND LOCK OFF (EG523-46951)
33	PART OF ENGINE	1	VAPORIZER (13098-62401)
34	REF	-	FRAME
35	REF	-	COVER FRAME
36	REF	-	TANK, LPG
37	REF	-	FRAME

ENGINE MOUNT GROUP - DIESEL (600657)

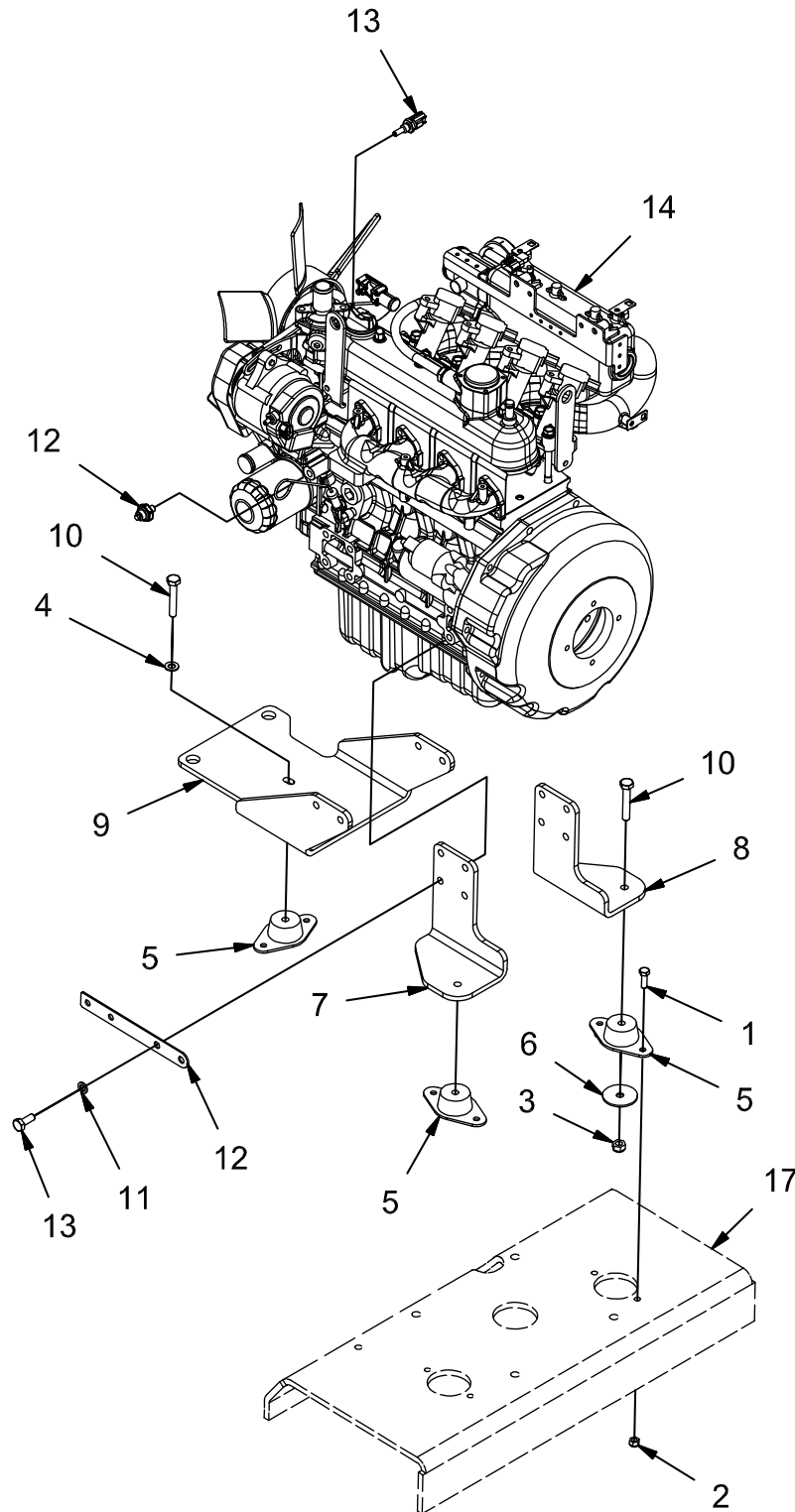


REV *

ENGINE MOUNT GROUP - DIESEL (600657)

Parts List			
ITEM	PART NUMBER	QTY	DESCRIPTION
1	11038247	6	BLT-HH M8-125 X 25 STL ZINC
2	12040051	6	NUT, M8-1.25 ESN
3	12040069	3	NUT, M10-1.50 ESN
4	12310058	1	WASHER, M10
5	600212	3	ISOLATOR, VIBRATION
6	600333	3	WASHER, SAFETY
7	600881	1	MOUNT, REAR OUTER DIESEL ENG
8	600882	1	MOUNT, REAR INNER DIESEL ENG
9	600899	1	MOUNT, FRONT DIESEL ENG
10	600925	3	BOLT, M10-1.50 X 60 HH
11	600945	12	LOCK WASHER, M10
12	620081	1	MOUNT, HARNESS
13	620082	12	BOLT, M10-1.25 X 25 HH ZP
14	620234	1	ENGINE, DSL, (KUBOTA V1505-11995)
15	PART OF 620234	1	SWITCH, OIL PRESSURE (603015)
16	PART OF 620234	1	SWITCH, WATER TEMP (603014)
17	REF.	-	FRAME

ENGINE MOUNT GROUP - GAS (600658)

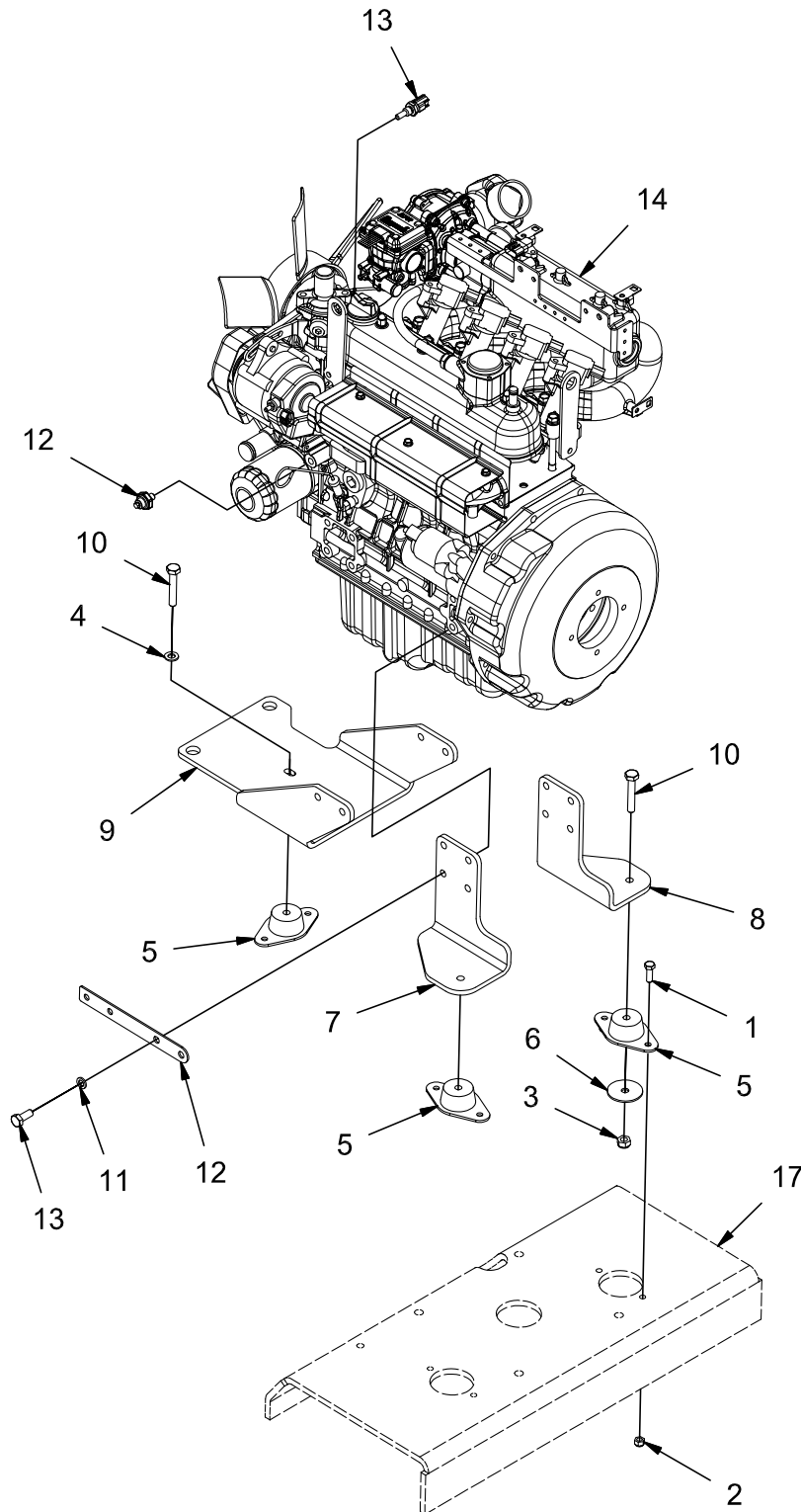


REV A

ENGINE MOUNT GROUP - GAS (600658)

Parts List 600658			
ITEM	PART NUMBER	QTY	DESCRIPTION
1	11038247	6	BLT-HH M8-125 X 25 STL ZINC
2	12040051	6	NUT, M8-1.25 ESN
3	12040069	3	NUT, M10-1.50 ESN
4	12310058	1	WASHER, M10
5	600212	3	ISOLATOR, VIBRATION
6	600333	3	WASHER, SAFETY
7	600881	1	MOUNT, REAR OUTER DIESEL ENG
8	600882	1	MOUNT, REAR INNER DIESEL ENG
9	600899	1	MOUNT, FRONT DIESEL ENG
10	600925	3	BOLT, M10-1.50 X 60 HH
11	600945	12	LOCK WASHER, M10
12	620081	1	MOUNT, HARNESS
13	620082	12	BOLT, M10-1.25 X 25 HH ZP
14	620236	1	ENGINE, GAS (KUBOTA WG1605G-12380)
15	PART OF 620236	1	SWITCH, OIL PRESSURE (603001)
16	PART OF 620236	1	SWITCH, WATER TEMP (603000)
17	REF.	-	FRAME
-	748423	1	WIRE ASSY, FUEL PUMP

ENGINE MOUNT GROUP - LPG (600659)

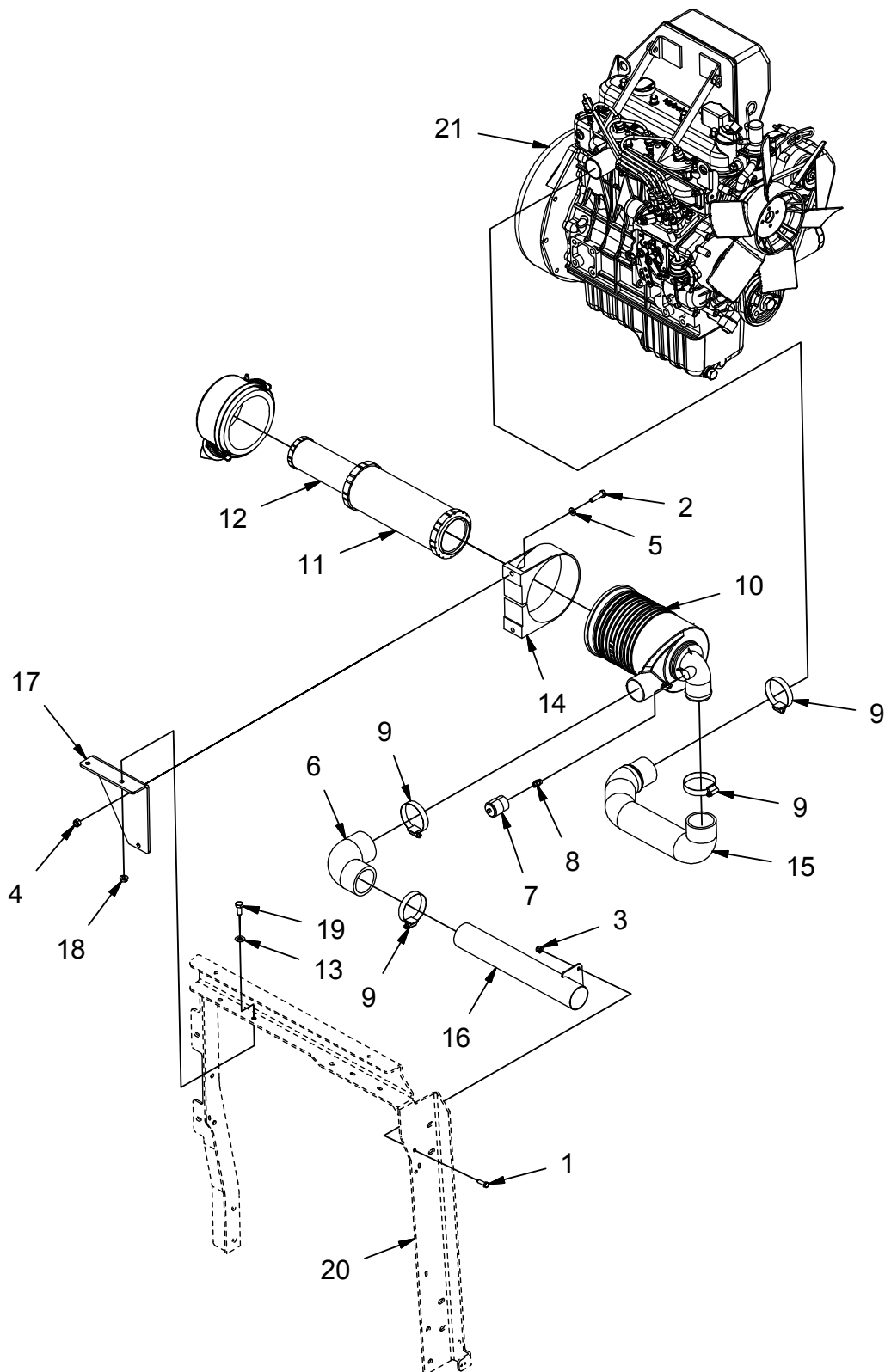


REV *

ENGINE MOUNT GROUP - LPG (600659)

Parts List 600659			
ITEM	PART NUMBER	QTY	DESCRIPTION
1	11038247	6	BLT-HH M8-125 X 25 STL ZINC
2	12040051	6	NUT, M8-1.25 ESN
3	12040069	3	NUT, M10-1.50 ESN
4	12310058	1	WASHER, M10
5	600212	3	ISOLATOR, VIBRATION
6	600333	3	WASHER, SAFETY
7	600881	1	MOUNT, REAR OUTER DIESEL ENG
8	600882	1	MOUNT, REAR INNER DIESEL ENG
9	600899	1	MOUNT, FRONT DIESEL ENG
10	600925	3	BOLT, M10-1.50 X 60 HH
11	600945	12	LOCK WASHER, M10
12	620081	1	MOUNT, HARNESS
13	620082	12	BOLT, M10-1.25 X 25 HH ZP
14	620235	1	ENGINE, LPG (KUBOTA WG1605L-12293)
15	PART OF 620235	1	SWITCH, OIL PRESSURE (603001)
16	PART OF 620235	1	SWITCH, WATER TEMP (603000)
17	REF.	-	FRAME

AIR CLEANER GROUP - DIESEL (600614)

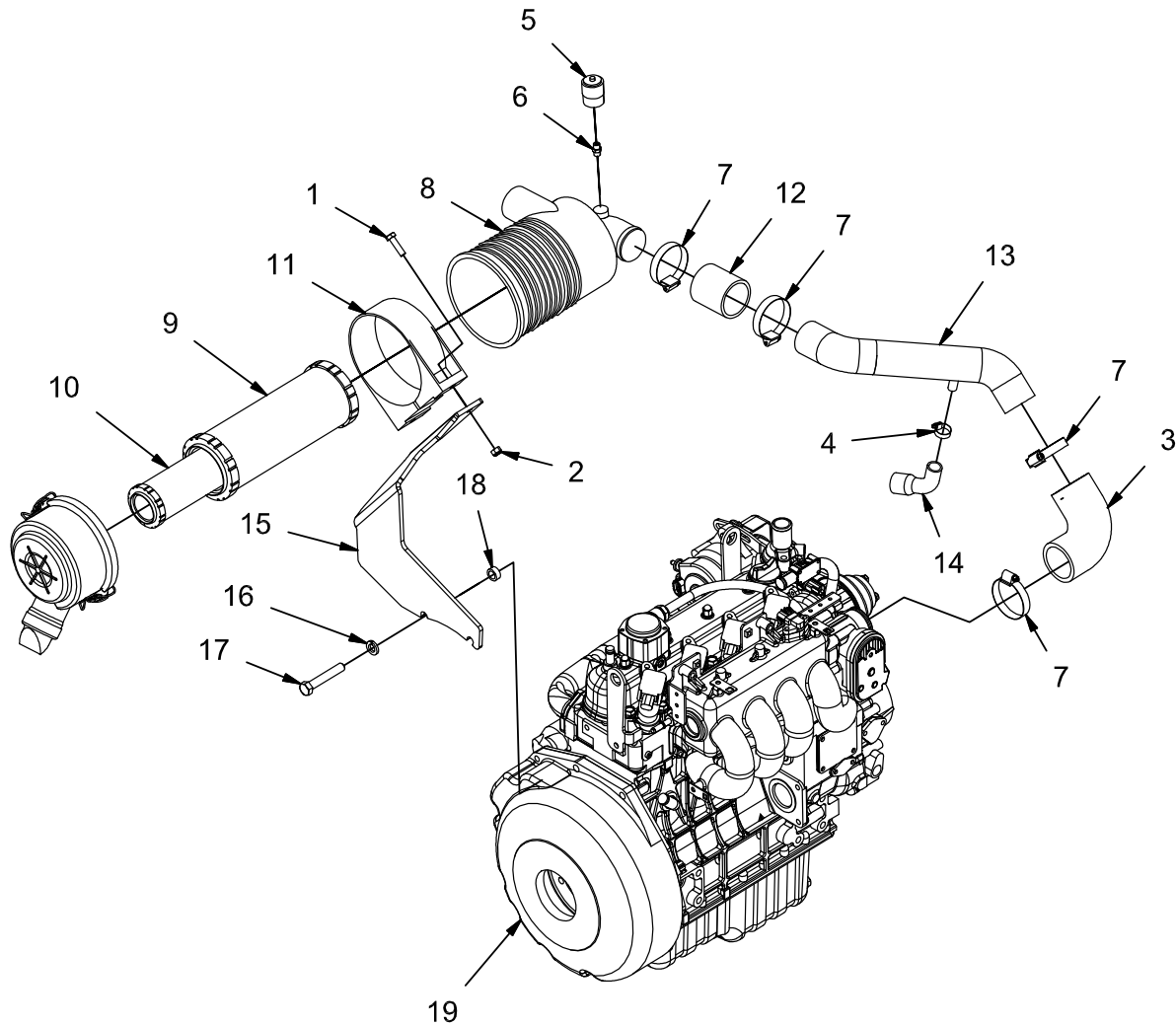


REV *

AIR CLEANER GROUP - DIESEL (600614)

Parts List			
ITEM	PART NUMBER	QTY	DESCRIPTION
1	11038098	2	BOLT, M6-100 X 20 HH
2	11038254	2	BOLT, M8-125 X 30 HH
3	12040044	2	NUT, M6-1.00 ESN
4	12040051	2	NUT, M8-1.25 ESN
5	12310041	2	WASHER, M8
6	3300396	1	ADAPTER, 2" 90
7	3303991	1	INDICATOR, FLTR SERVICE
8	3305640	1	FITTING, NIPPLE
9	3312189	4	CLAMP, HOSE, 2.00
10	3317917	1	HOUSING, AIR FLTR
11	3321143	1	ELEMENT, FLTR, PRIMARY
12	3322572	1	ELEMENT, FLTR, SAFETY
13	3400384	2	WASHER, 5/16 BELLEVILLE
14	600385	1	MOUNTING BAND, AIR CLEANER
15	600866	1	HOSE, DIESEL INTAKE
16	600877	1	WELDMENT, AIR INTAKE, DIESEL
17	600883	1	MOUNT, AIR CLEANER, DIESEL
18	600934	2	NUT, M8-1.25 FLNG
19	717024	2	BOLT, M8-1.25 X 20 HH
20	REF.	-	COVER FRAME
21	REF.	-	DIESEL ENGINE

AIR CLEANER GROUP - GAS (600629)

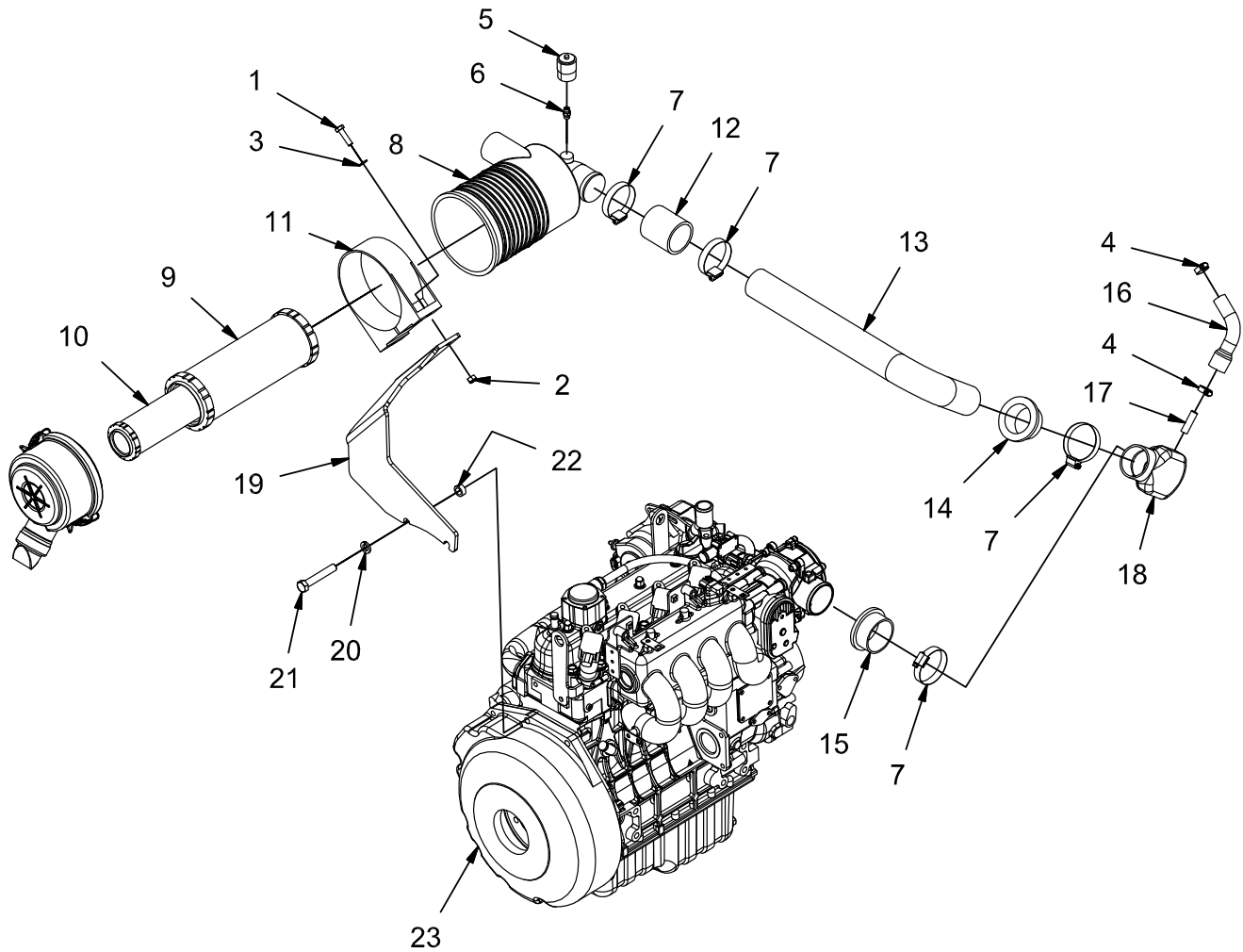


REV B

AIR CLEANER GROUP - GAS (600629)

Parts List			
ITEM	PART NUMBER	QTY	DESCRIPTION
1	11038254	2	BOLT, M8-125 X 30 HH
2	12040051	2	NUT, M8-1.25 ESN
3	3300396	1	ADAPTER, 2" 90
4	3300535	1	CLAMP, HOSE, .50
5	3303991	1	INDICATOR, FLTR SERVICE
6	3305640	1	FITTING, NIPPLE
7	3312189	4	CLAMP, HOSE, 2.00
8	3317917	1	HOUSING, AIR FLTR
9	3321143	1	ELEMENT, FLTR, PRIMARY
10	3322572	1	ELEMENT, FLTR, SAFETY
11	600385	1	MOUNTING BAND, AIR CLEANER
12	600580	1	HOSE, 2.00 X 2.50
13	620648	1	WELDMENT, INTAKE TUBE, GAS
14	620659	1	HOSE, PCV, 20 IN
15	PART OF ENGINE	1	AIR CLEANER MOUNT (620664)
16	PART OF ENGINE	2	LOCK WASHER, M10 (600945)
17	PART OF ENGINE	2	BOLT, M10-1.25 X 45 HH (620667)
18	PART OF ENGINE	2	SPACER (12310058)
19	REF.	-	ENGINE, GAS

AIR CLEANER GROUP - LPG (600605)

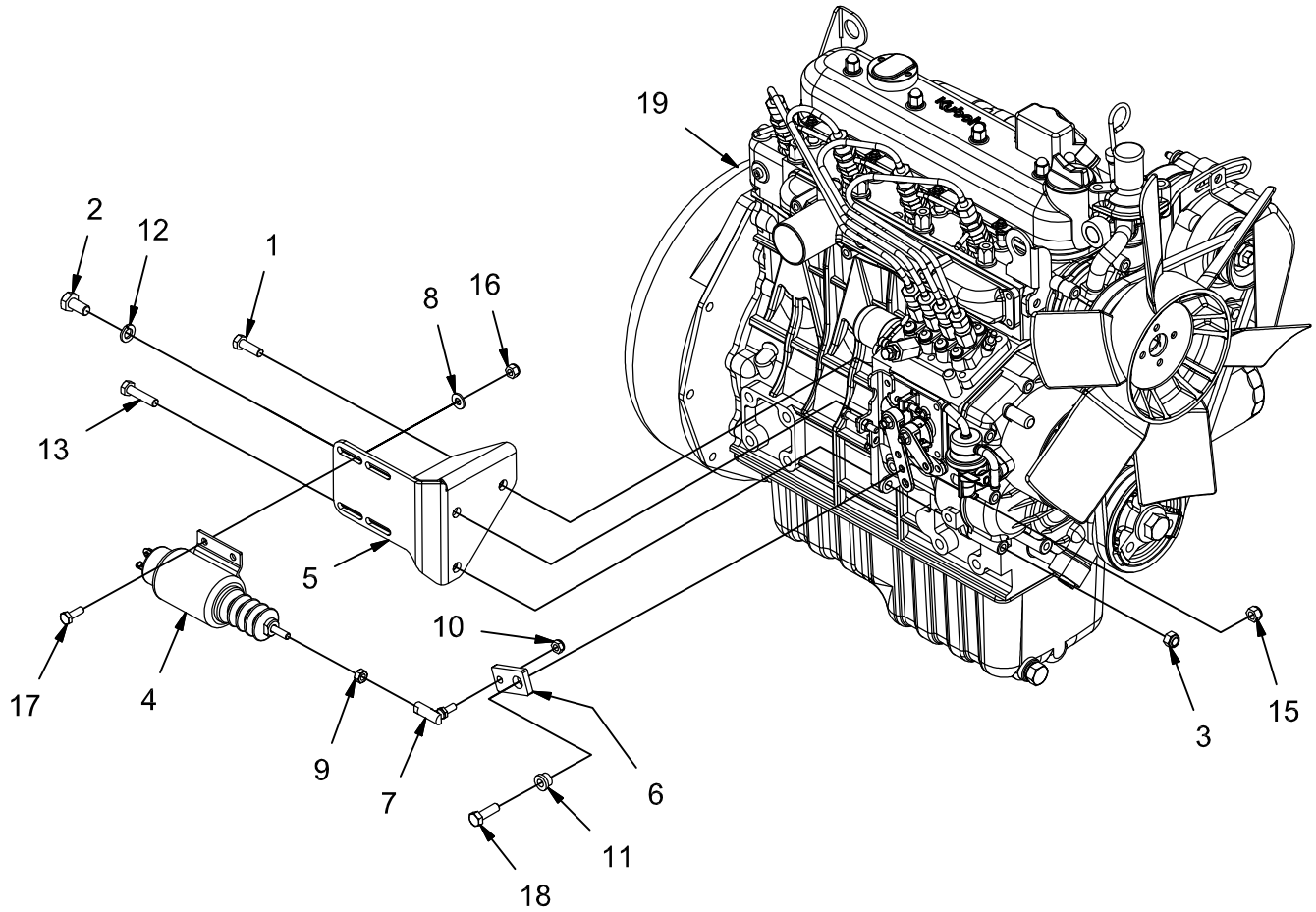


REV B

AIR CLEANER GROUP - LPG (600605)

Parts List			
ITEM	PART NUMBER	QTY	DESCRIPTION
1	11038254	2	BOLT, M8-125 X 30 HH
2	12040051	2	NUT, M8-1.25 ESN
3	12310041	2	WASHER, M8
4	3300535	2	CLAMP, HOSE, .50
5	3303991	1	INDICATOR, FLTR SERVICE
6	3305640	1	FITTING, NIPPLE
7	3044112	4	CLAMP, HOSE, SS, 2.50 MAX
8	3317917	1	HOUSING, AIR FLTR
9	3321143	1	ELEMENT, FLTR, PRIMARY
10	3322572	1	ELEMENT, FLTR, SAFETY
11	600385	1	MOUNTING BAND, AIR CLEANER
12	600580	1	HOSE, 2.00 X 2.50
13	620652	1	TUBE, AIR INTAKE, LPG
14	620656	1	INSERT, EPI P/N 225R20
15	620657	1	INSERT, EPI P/N 25R225
16	620660	1	HOSE, PCV, 26 IN
17	620661	1	TUBE, BRASS, 7/16 OD, .03 WALL
18	620662	1	COBRA AIR INTAKE
19	PART OF ENGINE	1	AIR CLEANER MOUNT (620664)
20	PART OF ENGINE	2	LOCK WASHER, M10 (600945)
21	PART OF ENGINE	2	BOLT, M10-1.25 X 45 HH (620667)
22	PART OF ENGINE	2	SPACER (12310058)
23	REF.	-	LPG ENGINE

THROTTLE SOLENOID GROUP - DIESEL (600628)

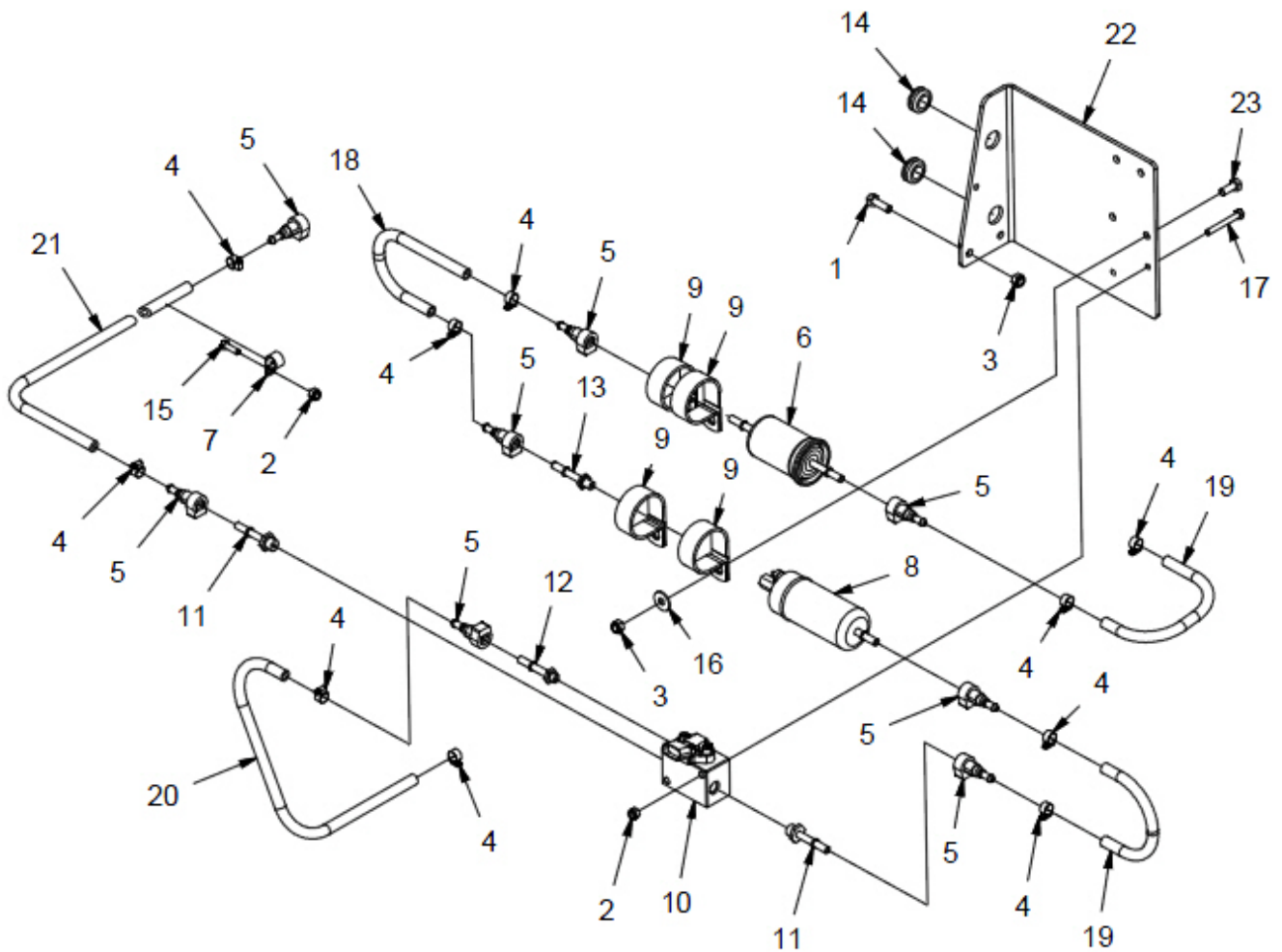


REV B

THROTTLE SOLENOID GROUP - DIESEL (600628)

Parts List			
ITEM	PART NUMBER	QTY	DESCRIPTION
1	11038247	1	BLT-HH M8-125 X 25 STL ZINC
2	11038353	1	BOLT, M10-1.50 X 20 HH
3	12040051	1	NUT, M8-1.25 ESN
4	3335303	1	SOLENOID, THROTTLE
5	3335358	1	BRACKET, THROTTLE SOLENOID
6	3335364	1	PLT, KBA V1505 DSL SOLENOID THROTTLE
7	3342225	1	BALL JOINT, 1/4-28 STD LG
8	3400089	4	WASHER, 1/4 .625 X .281 X .063
9	3400180	1	NUT, 1/4-28
10	3400373	1	NUT, LOW HEIGHT 1/4-28 ESN
11	3401071	1	BUSHING, FLNG, .312 ID X .50 OD X .375
12	3401458	1	LOCK WASHER, M10
13	600918	1	BOLT, M8-125 X 35 HH
14	600959	2	LOCK WASHER, M8
15	711374	1	NUT, FIBER INSERT 5/16-18
16	711377	4	NUT, FIBER INSERT 1/4-20
17	713002	4	SCREW, 1/4-20 X .750 HHC
18	713027	1	SCREW, 5/16-18 X 1.000 HHM
19	REF.	-	ENGINE, DIESEL

FUEL COMPONENT GROUP - GAS (600635)

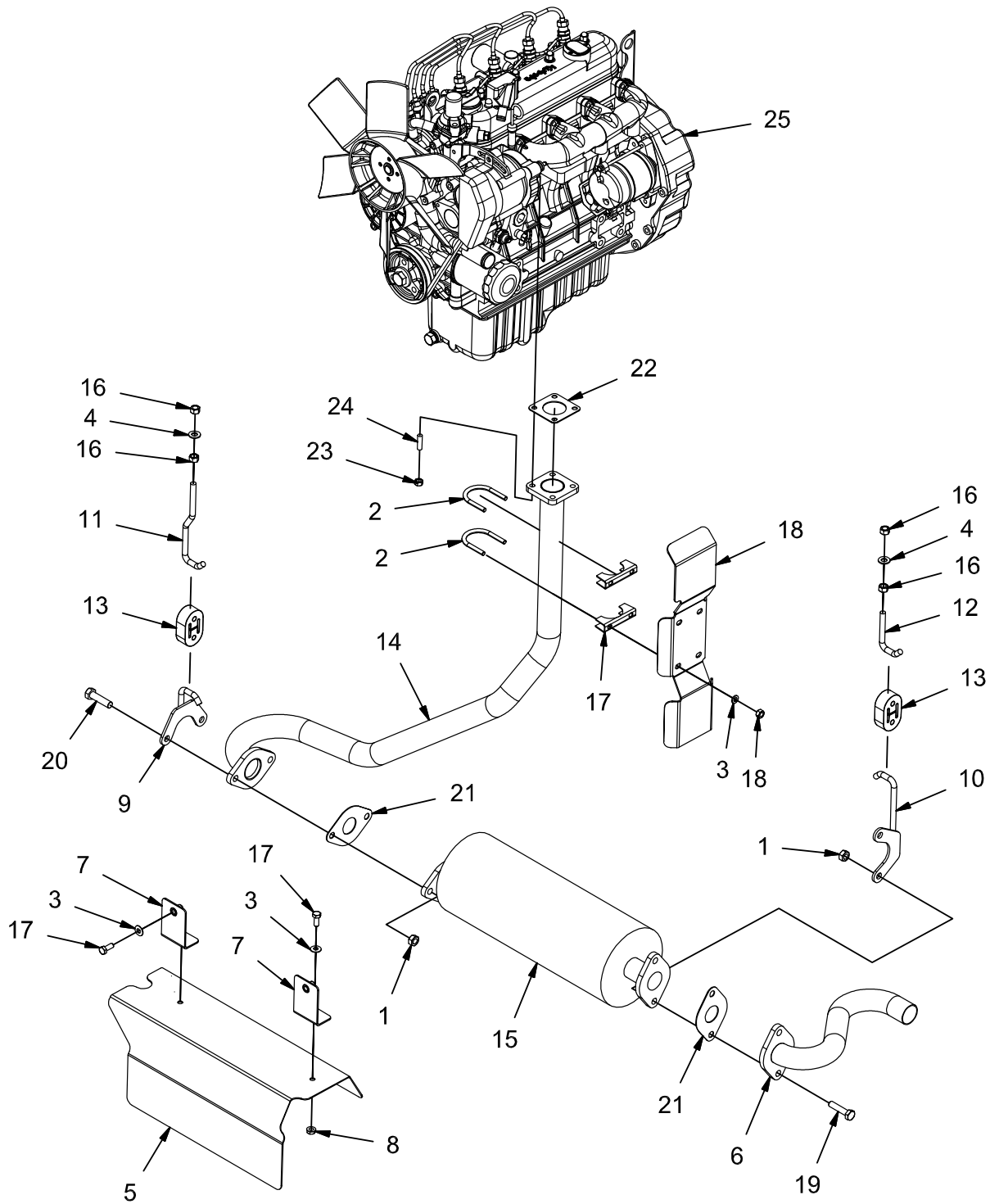


REV A

FUEL COMPONENT GROUP - GAS (600635)

Parts List 600635			
ITEM	PART NUMBER	QTY	DESCRIPTION
1	11038247	2	BLT-HH M8-125 X 25 STL ZINC
2	12040044	3	NUT, M6-1.00 ESN
3	12040051	6	NUT, M8-1.25 ESN
4	3302338	10	CLAMP, HOSE, .50
5	3342207	8	FITTING, ADAPTER, FUEL
6	3342209	1	FILTER, FUEL
7	3343082	1	CLAMP, HOSE
8	3343536	1	PUMP, FUEL
9	3343539	4	CLAMP, 2"
10	3343617	1	MANIFOLD, FUEL PRESS/TEMP
11	3401088	2	FTG-ADAPTER, FUEL 1/2-20 W/O-RING
12	3401089	1	FTG-ADAPTER, FUEL 3/8-24 W/O-RING
13	3401090	1	FITTING & GASKET FOR FUEL PUMP
14	600151	2	GROMMET, .63 ID .88 OD .25 T
15	600913	1	BOLT, M6-100 X 20 HH SS
16	600940	4	WASHER, M8 FENDER
17	600953	2	BOLT, M6-1.00 X 50 HH
18	620001	1	HOSE, FUEL, 5/16 ID X 12.00 LG, SAE30R7
19	620002	2	HOSE, FUEL, 5/16 ID X 10.00 LG, SAE30R7
20	620003	1	HOSE, FUEL, 5/16 ID X 17.00 LG, SAE30R7
21	620004	1	HOSE, FUEL, 5/16 ID X 36.00 LG, SAE30R7
22	620643	1	MOUNT, FUEL FILTER
23	717024	4	BOLT, M8-1.25 X 20 HH

EXHAUST GROUP - DIESEL (600671)

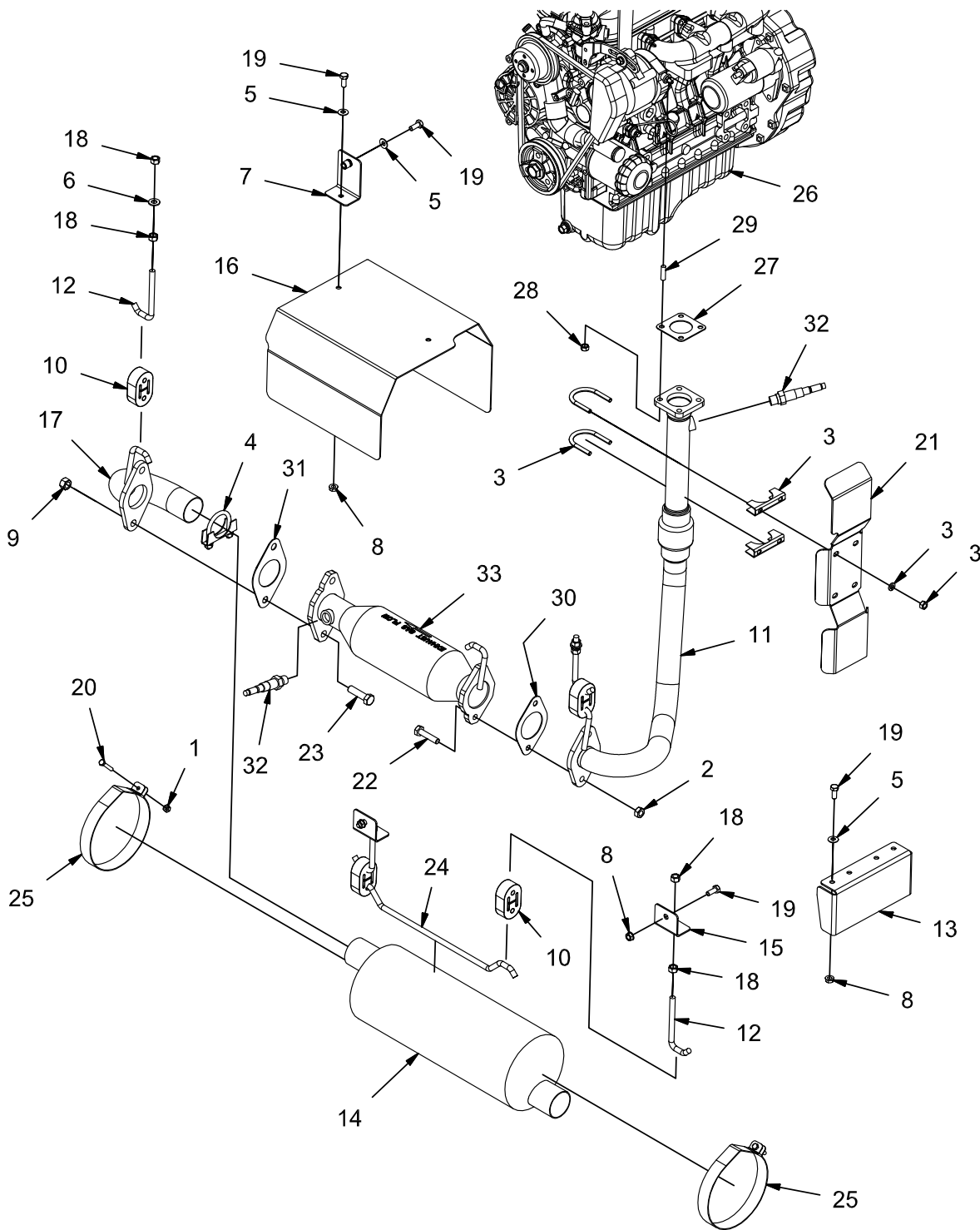


REV A

EXHAUST GROUP - DIESEL (600671)

Parts List 600671			
ITEM	PART NUMBER	QTY	DESCRIPTION
1	12022067	4	NUT, M10-1.50 HEX
2	3301641	2	CLAMP
3	3400384	4	WASHER, 5/16 BELLEVILLE
4	3400385	2	WASHER, 3/8. BELLEVILLE
5	600497	1	HEAT SHIELD
6	600501	1	WELDMENT, TAILPIPE
7	600805-1	2	ASSEMBLY, SHIELD MNT
8	600934	2	NUT, M8-1.25 FLNG
9	620197	1	WELDMENT, EXHAUST HANGER, FRONT
10	620199	1	WELDMENT, EXHAUST HANGER, REAR
11	620203	1	EXHAUST HANGER, UPPER FRONT
12	620204	1	EXHAUST HANGER, UPPER REAR
13	620205	2	EXHAUST ISOLATOR
14	620645	1	PIPE, EXHAUST
15	620644	1	MUFFLER
16	711328	4	NUT, HEX 3/8-16
17	717024	4	BOLT, M8-1.25 X 20 HH
18	730665	1	HEAT SHIELD
19	730666	2	BOLT, M10-1.50 X 45 HH
20	730667	2	BOLT, M12-1.75 X 45 HH
21	3333656	2	GASKET, EXHAUST
22	PART OF ENGINE	1	GASKET, EXHAUST
23	PART OF ENGINE	4	NUT, M8-1.25 SS
24	PART OF ENGINE	4	STUD, M8-1.25
25	REF.	-	DIESEL ENGINE

EXHAUST GROUP - GAS & LPG (600675)

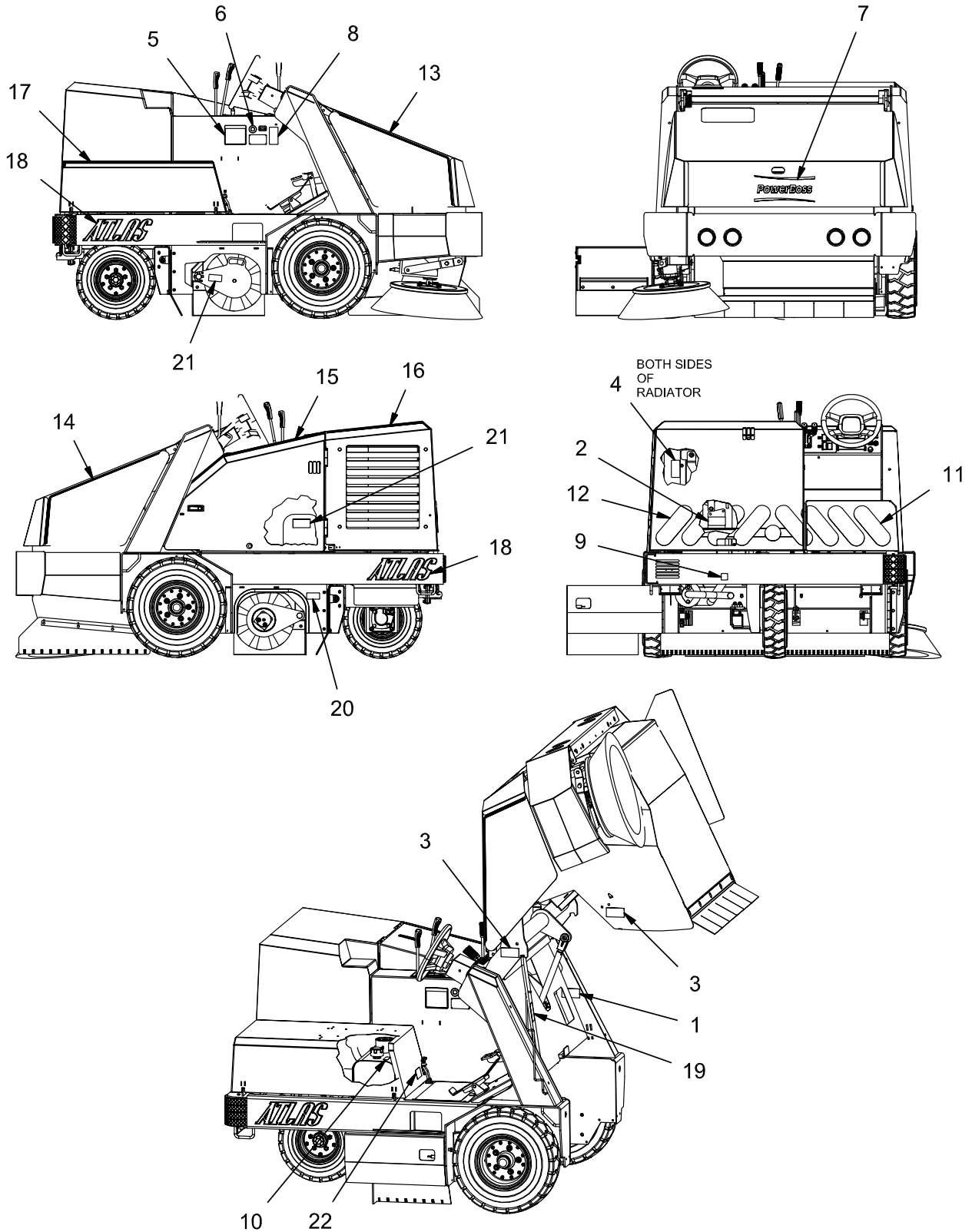


REV C

EXHAUST GROUP - GAS & LPG (600675)

Parts List TEMP EXHAUST GROUP			
ITEM	PART NUMBER	QTY	DESCRIPTION
1	12022042	2	NUT, M6-1.00 HEX
2	12022067	3	NUT, M10-1.50 HEX
3	3301641	2	CLAMP, EXHAUST, 1-1/2"
4	3302917	1	CLAMP, EXHAUST, 2"
5	3400384	6	WASHER, 5/16 BELLEVILLE
6	3400385	2	WASHER, 3/8. BELLEVILLE
7	600805-1	2	ASSEMBLY, SHIELD MNT
8	600934	6	NUT, M8-1.25 FLNG
9	600949	1	NUT, M12-1.75
10	620205	4	EXHAUST ISOLATOR
11	620629	1	WELDMENT, EXHAUST PIPE
12	620632	4	EXHAUST HANGER
13	620634	1	SHIELD, HEAT
14	620678	1	MUFFLER
15	620679	2	MOUNT, HANGAR
16	620680	1	HEAT SHIELD
17	731223	1	WELDMENT, EXHAUST PIPE
18	711328	8	NUT, HEX 3/8-16
19	717024	8	BOLT, M8-1.25 X 20 HH
20	730508	2	BOLT, M6-1.00 X 35 HH full thread SS
21	730665	1	HEAT SHIELD
22	730666	2	BOLT, M10-1.50 X 45 HH
23	730667	2	BOLT, M12-1.75 X 45 HH
24	731178	1	HANGER, MUFFLER
25	731180	2	STRAP, MUFFLER
26	REF.	-	ENGINE
27	WITH ENGINE	1	GASKET, EXHAUST
28	WITH ENGINE	4	NUT, M8-1.25 SS
29	WITH ENGINE	4	STUD, M8-1.25
30	WITH ENGINE	1	GASKET, EXHAUST
31	WITH ENGINE	1	GASKET, EXHAUST
32	WITH ENGINE	2	O2 SENSOR
33	WITH ENGINE	1	CATALYTIC COVERTER

DECAL GROUP - DIESEL (600643)

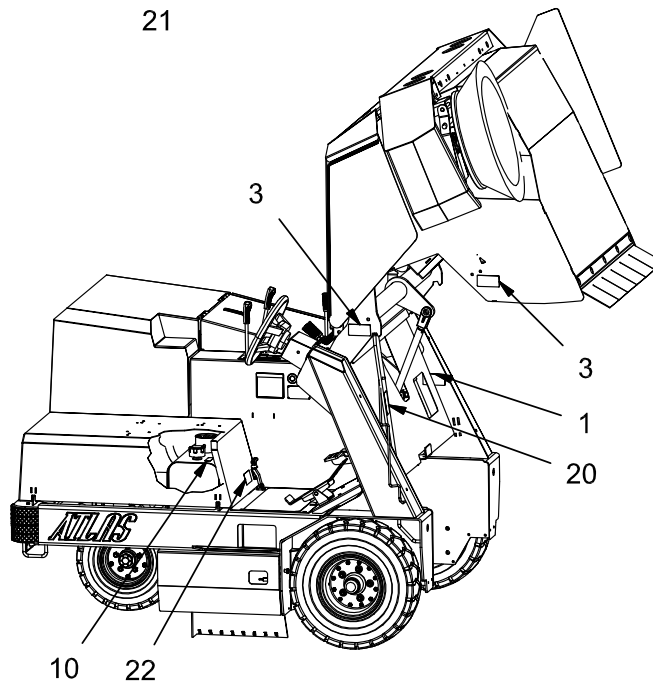
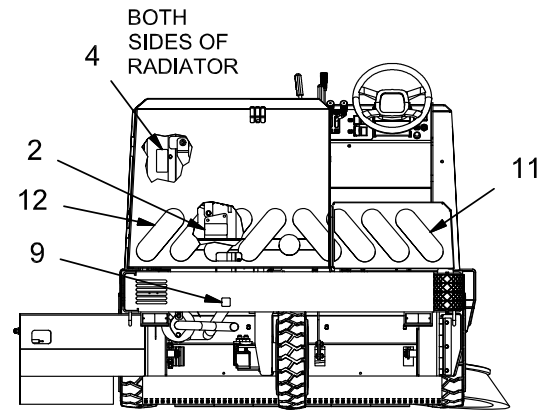
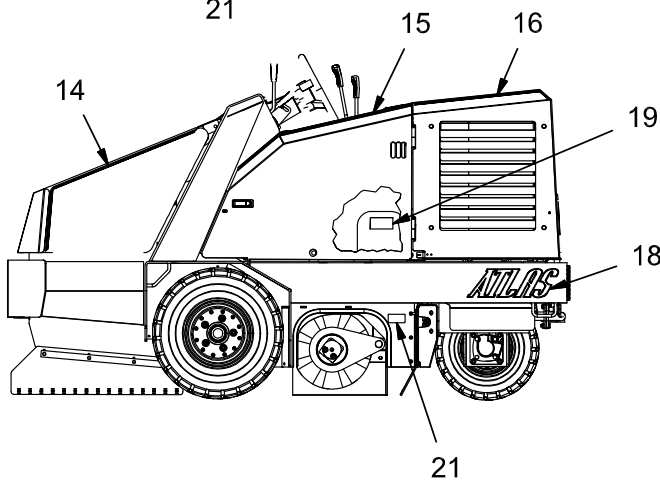
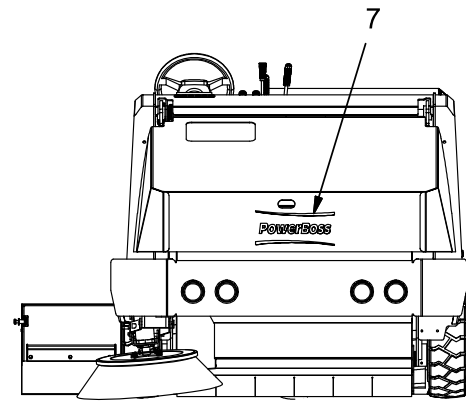
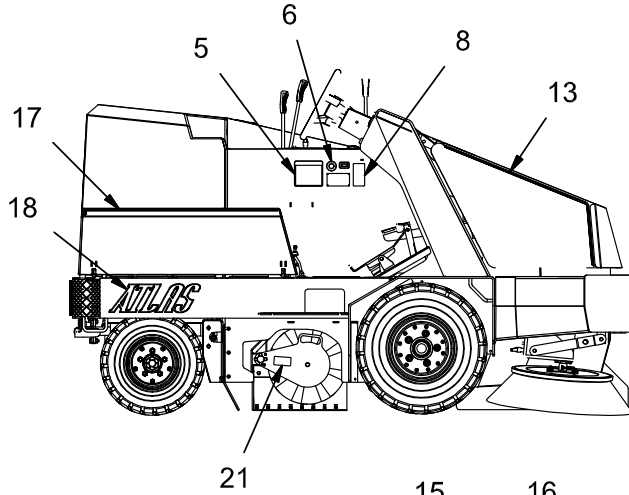


REV B

DECAL GROUP - DIESEL (600643)

Parts List 600643			
ITEM	PART NUMBER	QTY	DESCRIPTION
1	3301729	1	DECAL, WARNING, FAN INLET
2	3301730	1	DECAL, WARNING FAN BELT (ENG)
3	3301732	4	DECAL, WARNING, HOPPER (2 PER SIDE)
4	3301733	2	DECAL, WARNING FAN (RAD SHROUD)
5	3301854	1	DECAL, CAUTION
6	3334827	1	DECAL, MADE IN USA
7	3334900	1	DECAL, POWERBOSS
8	3342264	1	DECAL, READ MANUAL
9	3342978	1	DECAL, HOT SURFACE
10	715023	1	DECAL, HYDRAULIC OIL
11	715939	1	DECAL, HATCH, RH
12	715940	1	DECAL, HATCH, LH
13	715943	1	DECAL, PINSTRIPE, HOPPER, RH
14	715944	1	DECAL, PINSTRIPE, HOPPER, LH
15	715945	1	DECAL, PINSTRIPE, SIDE DOOR
16	715946	1	DECAL, PINSTRIPE, ENG COVER
17	715947	1	DECAL, PINSTRIPE, PUMP COVER
18	715948	2	DECAL, ATLAS
19	715951	1	DECAL, SAFETY ARM
20	715952	2	DECAL, WARNING, ROTATING BROOM
21	715953	1	DECAL, WARNING, DIESEL FUEL
22	715954	1	DECAL, COVER LATCH

DECAL GROUP - GAS (600641)

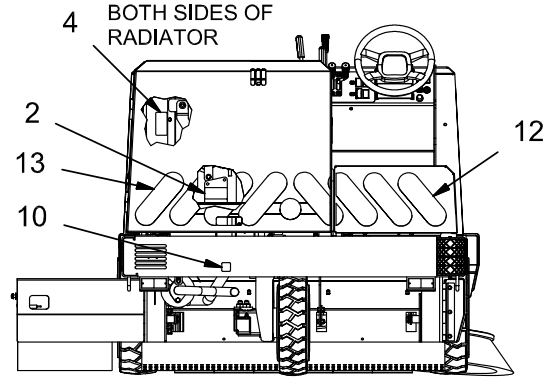
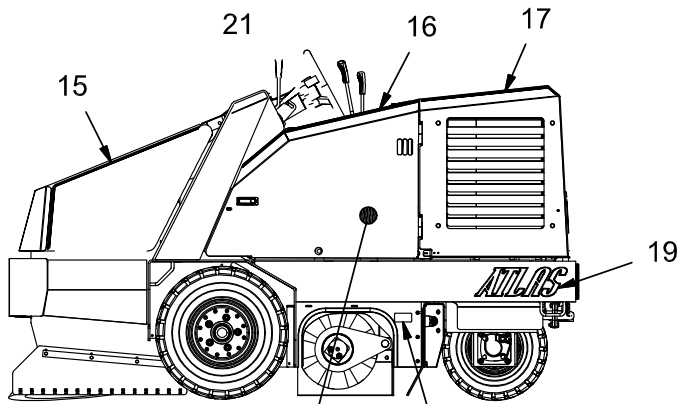
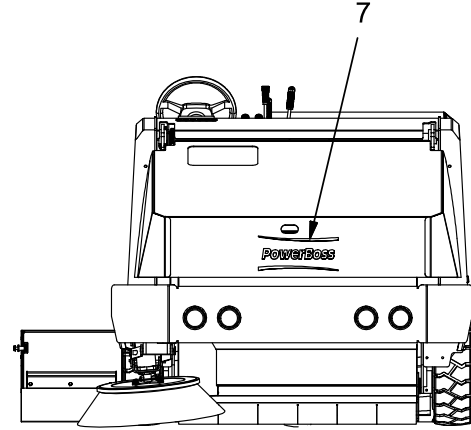
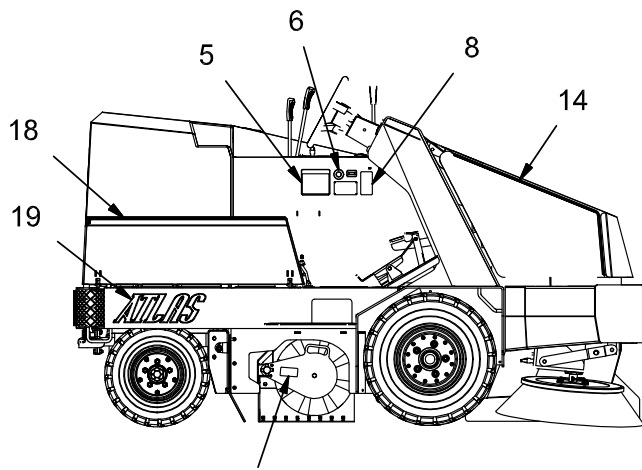


REV B

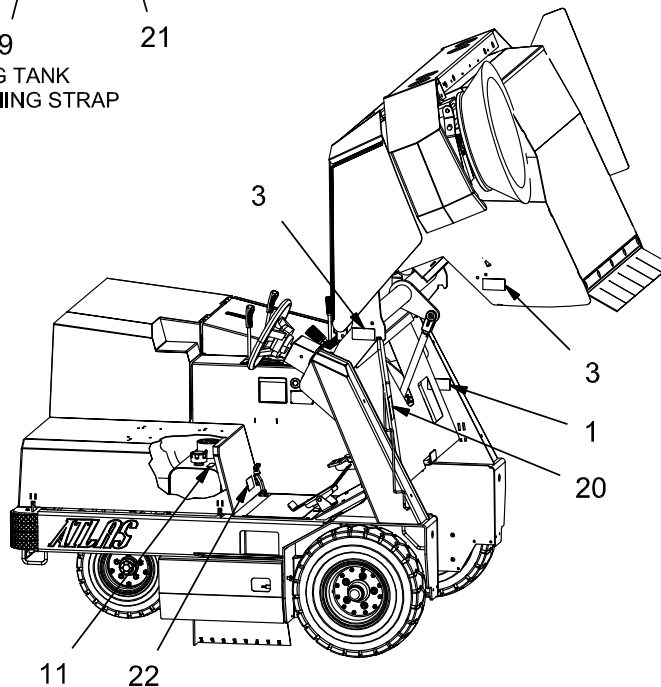
DECAL GROUP - GAS (600641)

Parts List 600641			
ITEM	PART NUMBER	QTY	DESCRIPTION
1	3301729	1	DECAL, WARNING, FAN INLET
2	3301730	1	DECAL, WARNING FAN BELT (ENG)
3	3301732	4	DECAL, WARNING, HOPPER (2 PER SIDE)
4	3301733	2	DECAL, WARNING FAN (RAD SHROUD)
5	3301854	1	DECAL, CAUTION
6	3334827	1	DECAL, MADE IN USA
7	3334900	1	DECAL, POWERBOSS
8	3342264	1	DECAL, READ MANUAL
9	3342978	1	DECAL, HOT SURFACE
10	715023	1	DECAL, HYDRAULIC OIL
11	715939	1	DECAL, HATCH, RH
12	715940	1	DECAL, HATCH, LH
13	715943	1	DECAL, PINSTRIPE, HOPPER, RH
14	715944	1	DECAL, PINSTRIPE, HOPPER, LH
15	715945	1	DECAL, PINSTRIPE, SIDE DOOR
16	715946	1	DECAL, PINSTRIPE, ENG COVER
17	715947	1	DECAL, PINSTRIPE, PUMP COVER
18	715948	2	DECAL, ATLAS
19	715949	1	DECAL, WARNING, GASOLINE
20	715951	1	DECAL, SAFETY ARM
21	715952	2	DECAL, WARNING, ROTATING BROOM
22	715954	1	DECAL, COVER LATCH

DECAL GROUP - LPG (600642)



9 21
ON LPG TANK
RETAINING STRAP

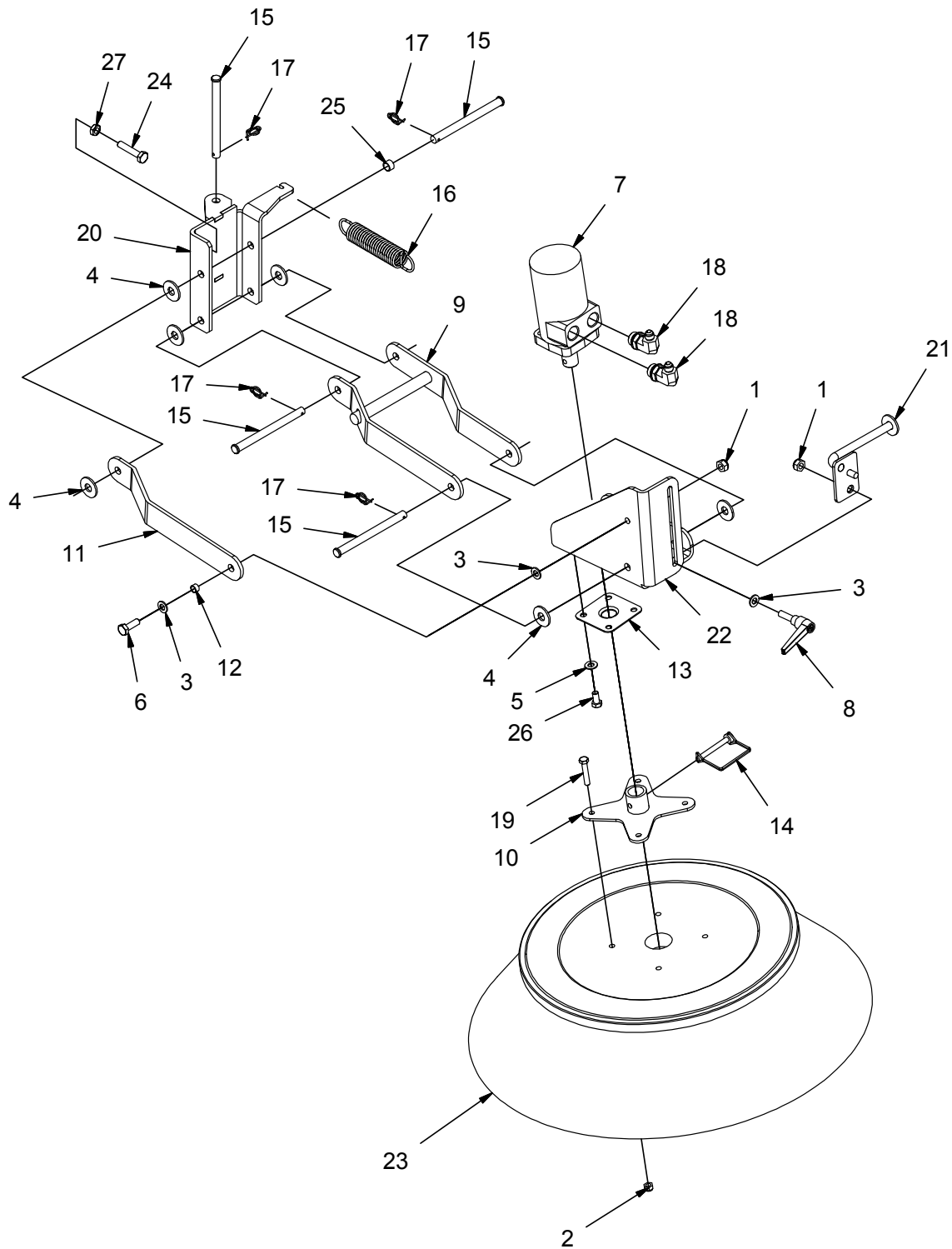


DECAL GROUP - LPG (600642)

Parts List 600642			
ITEM	PART NUMBER	QTY	DESCRIPTION
1	3301729	1	DECAL, WARNING, FAN INLET
2	3301730	1	DECAL, WARNING FAN BELT (ENG)
3	3301732	4	DECAL, WARNING, HOPPER (2 PER SIDE)
4	3301733	2	DECAL, WARNING FAN (RAD SHROUD)
5	3301854	1	DECAL, CAUTION
6	3334827	1	DECAL, MADE IN USA
7	3334900	1	DECAL, POWERBOSS
8	3342264	1	DECAL, READ MANUAL
9	3342971	1	DECAL, WARNING, LPG FUEL
10	3342978	1	DECAL, HOT SURFACE
11	715023	1	DECAL, HYDRAULIC OIL
12	715939	1	DECAL, HATCH, RH
13	715940	1	DECAL, HATCH, LH
14	715943	1	DECAL, PINSTRIPE, HOPPER, RH
15	715944	1	DECAL, PINSTRIPE, HOPPER, LH
16	715945	1	DECAL, PINSTRIPE, SIDE DOOR
17	715946	1	DECAL, PINSTRIPE, ENG COVER
18	715947	1	DECAL, PINSTRIPE, PUMP COVER
19	715948	2	DECAL, ATLAS
20	715951	1	DECAL, SAFETY ARM
21	715952	2	DECAL, WARNING, ROTATING BROOM
22	715954	1	DECAL, COVER LATCH

DUAL SIDE BROOM (DSB)

DSB LH SIDE BROOM GROUP (600654)

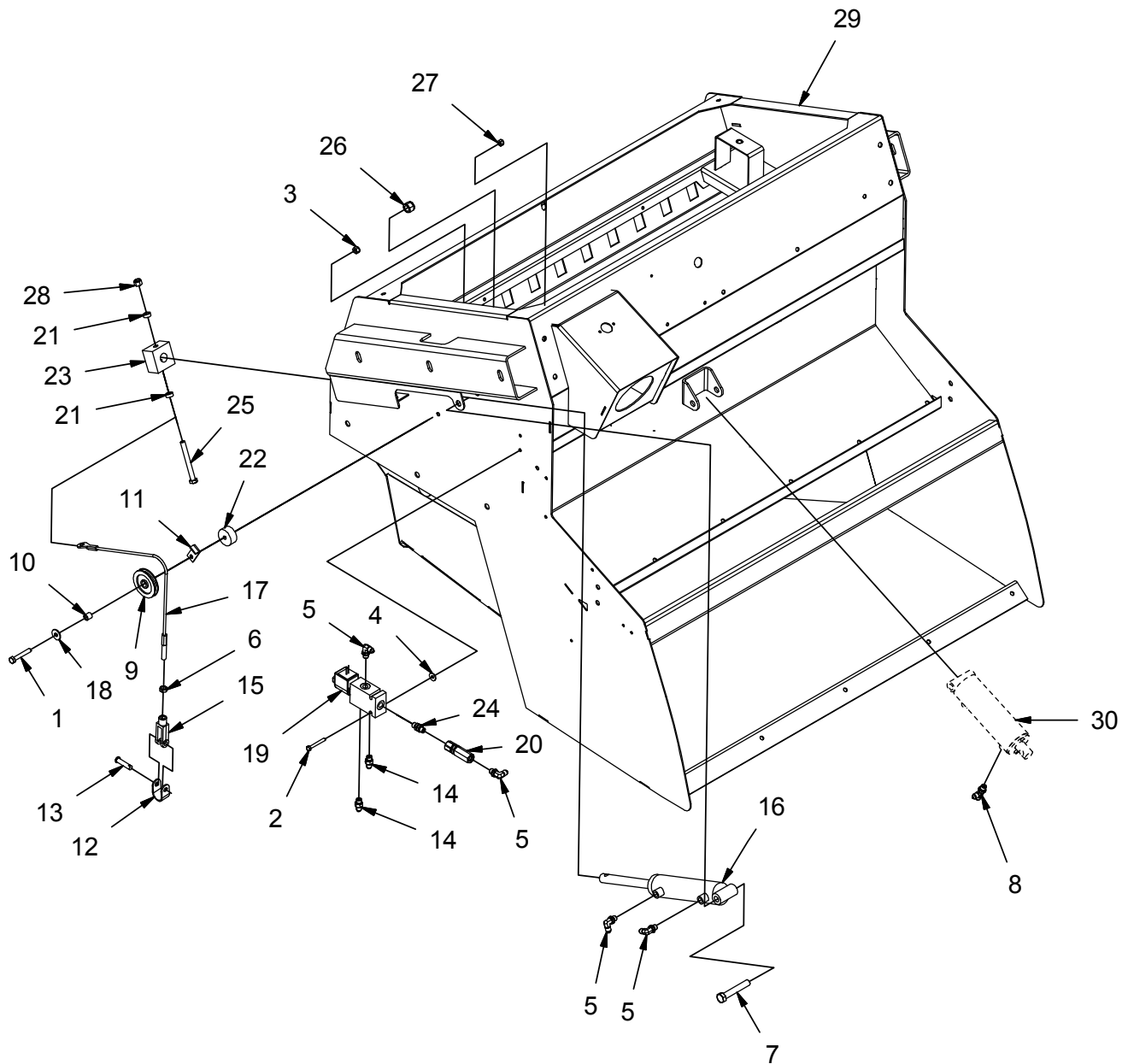


REV *

DSB LH SIDE BROOM GROUP (600654)

Parts List			
ITEM	PART NUMBER	QTY	DESCRIPTION
1	12040069	2	NUT, M10-1.50 ESN
2	12040259	4	NUT, M8-1.25 ESN SS
3	12310058	3	WASHER, M10
4	3400086	6	WASHER, 1/2, 1.063 X .531 X .094
5	3400385	4	WASHER, 3/8. BELLEVILLE
6	3401051	1	BOLT, M10-1.50 X 30 HH
7	600217	1	MOTOR, 17.9 DISP
8	600260	1	KNOB, LEVER
9	600303	1	WELDMENT, SB TRAILING ARM
10	600322	1	WELDMENT, SB FLANGE
11	600325	1	SB LINK
12	600327	1	SPACER, .406 B .50 OD .280 T
13	600330	1	STRING GUARD
14	600566	1	PIN, WIRE LOCK, .313
15	600571	4	PIN, CLEVIS 1/2 X 6.00
16	600572	1	SPRING, EXT, .14 W 1.25 OD 6.50 L
17	600578	4	RUE-RING, .50
18	600592	2	FITTING, 90, 6 JIC - 10 O-RING
19	600820	4	BOLT, M8-1.25 X 45 HH
20	600856	1	WELDMENT, LH SB PIVOT
21	600864	1	WELDMENT, SB ADJ, DUAL SB
22	600865	1	MOUNT, LH SB MOTOR
23	600900	1	SIDE BROOM, 26"
24	600926	1	BOLT, M10-1.50 X 80 HH ALL-THRD
25	600993	1	SPACER, .516 B .625 OD .375 T
26	713041	4	SCREW, 3/8-16 X .750 HHC
27	717014	1	NUT, M10-1.50 JAM

DSB LH SIDE LIFT GROUP (600653)

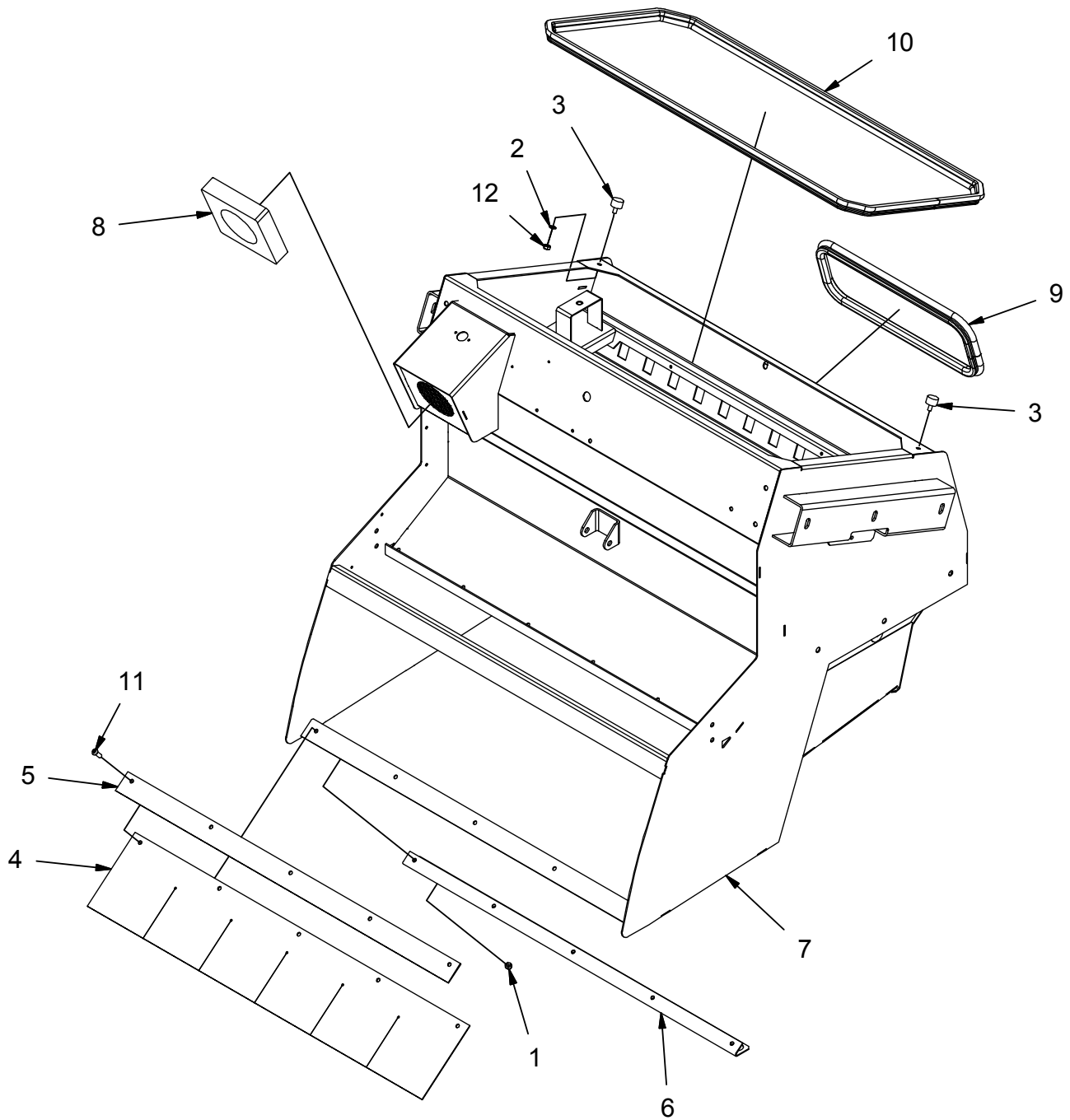


REV A

DSB LH SIDE LIFT GROUP (600653)

Parts List			
ITEM	PART NUMBER	QTY	DESCRIPTION
1	11038296	1	BOLT, M8-125 X 50 HH
2	11038817	2	BOLT, M6-100 X 45 HH
3	12040051	1	NUT, M8-1.25 ESN
4	12332011	2	WASHER, FENDER, M6
5	3302407	4	FITTING, 90, 4 JIC - 4 O-RING
6	3400075	1	NUT, HEX JAM 3/8-24
7	3400405	1	SCR-HEX 1/2-13 X 3 ZP
8	3400844	1	FTG, RUN TEE, 4 O-RING - 4 JIC - 4 JIC
9	600113	1	PULLEY, .50 B, 2.00 D, .44 T
10	600114	1	SPACER, .328 B .498 OD .500 T
11	600115	1	RETAINER, CABLE
12	600558	1	BRACKET
13	600573	1	PIN, CLEVIS, 3/8 X 1.50
14	600587	2	FITTING, STR, 4 JIC - 4 O-RING
15	600813	1	CLEVIS, 3/8-24
16	600897	1	CYLINDER, LH SB
17	600898	1	CABLE, 81.88 OAL
18	600940	1	WASHER, M8 FENDER
19	620005	1	SOLENOID, 2-POS, 4-WAY, CROSSOVER
20	620008	1	CHECK VALVE
21	620009	2	SPACER, .391 B .63 OD .250 T
22	620010	1	SPACER, .328 B 1.500 OD .680 T
23	620014	1	BLOCK, DUAL SB
24	620110	1	ADAPTER, #4 O-RING - #4 O-RING
25	711280	1	SCREW, 3/8-16 X 3.50 HHC
26	711376	1	NUT, FIBER INSERT 1/2-13
27	711377	2	NUT, FIBER INSERT 1/4-20
28	711380	1	NUT, FIBER INSERT 3/8-16
29	REF.	-	DUAL SIDE BROOM HOPPER
30	REF.	-	CYLINDER, HOPPER DOOR

DSB HOPPER SKIRTS SEALS GROUP (600646)

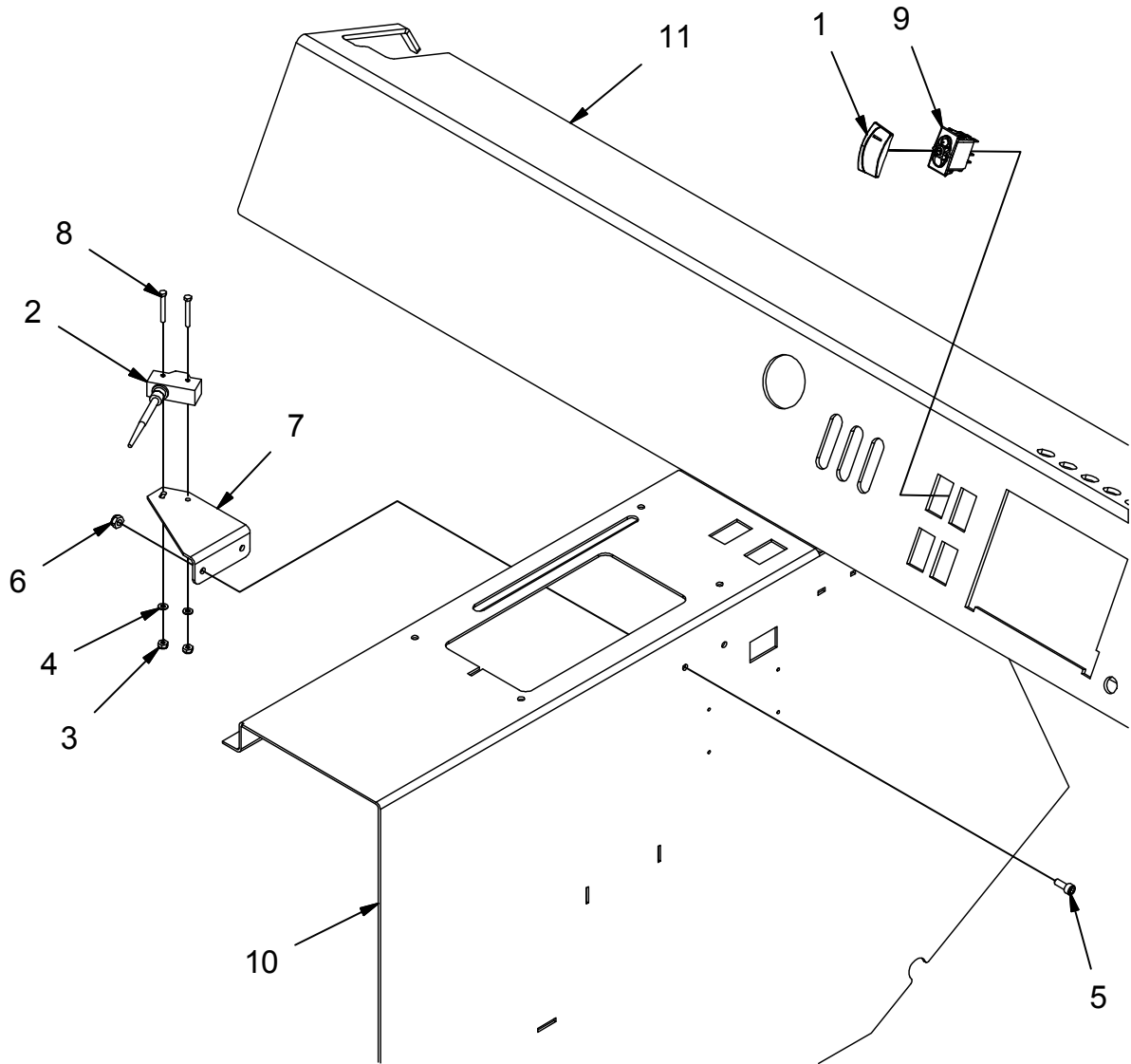


REV *

DSB HOPPER SKIRT SEALS GROUP (600646)

Parts List			
ITEM	PART NUMBER	QTY	DESCRIPTION
1	12040259	5	NUT, M8-1.25 ESN SS
2	3400102	2	LOCK WASHER, 5/16 HS MED
3	600220	2	BUMPER, 1.00 X .625 T
4	600230	1	SKIRT, HOPPER LIP
5	600345	1	RETAINER, HOPPER FLAP
6	600346	1	ANGLE, HOPPER LIP
7	600841-1	1	ASSEMBLY, DUAL SIDE BROOM HOPPER
8	600521	1	SEAL, HOPPER EXHAUST
9	600563	1	EDGING, HOPPER ACCESS
10	600564	1	EDGING, HOPPER COVER
11	600917	5	SCREW, M8-1.25 X 25 BUTTON HD CAP SS
12	711319	2	NUT, HEX 5/16-18
13	000710	-	ADHESIVE 3M #847 (USED ON 600521)

DSB SWITCH GROUP (600655)

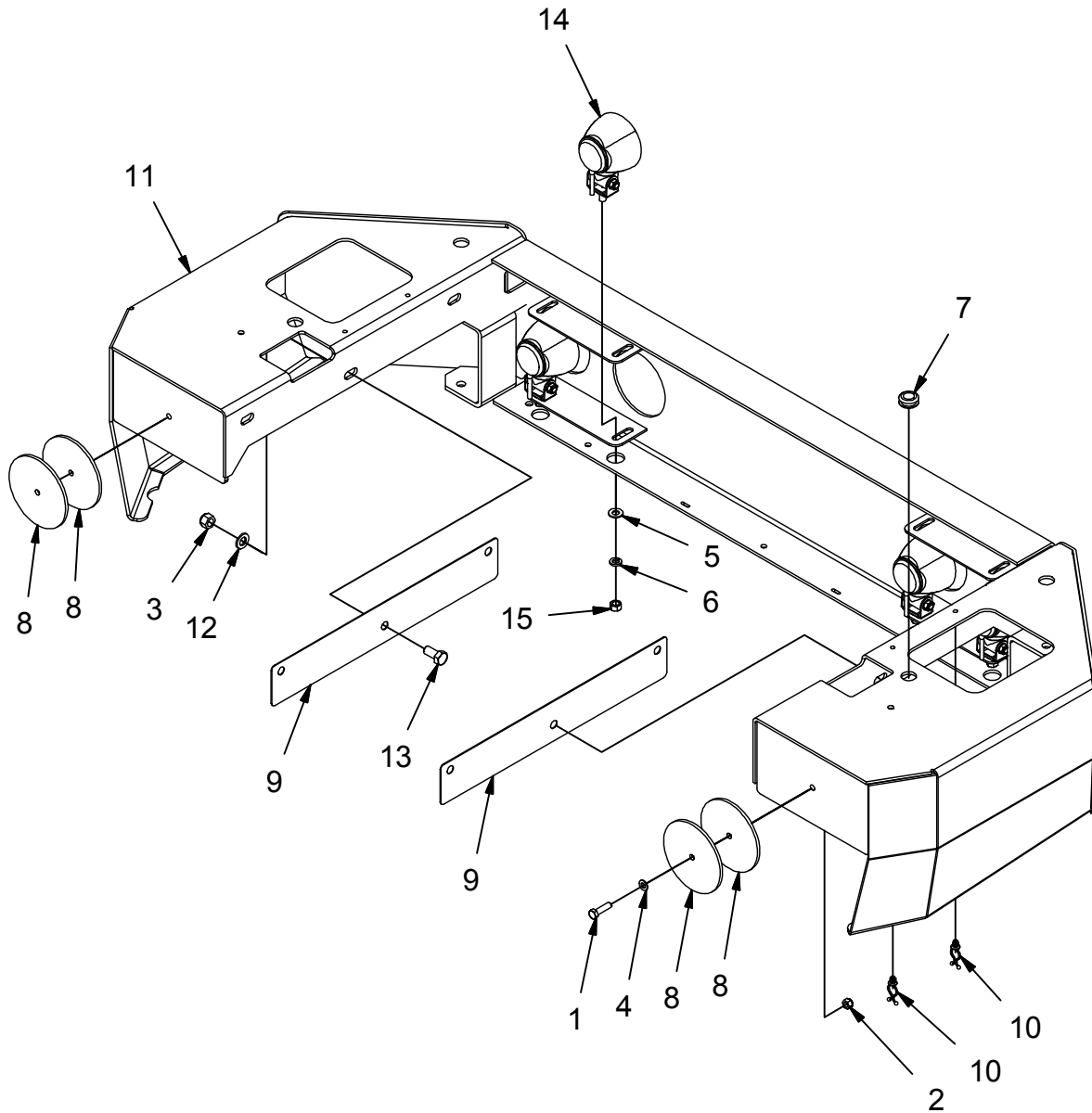


REV A

DSB SWITCH GROUP (600655)

Parts List			
ITEM	PART NUMBER	QTY	DESCRIPTION
1	3342273	1	SWITCH COVER - BLACK, CLEAR LENS
2	3342546	1	SWITCH, WHISKER
3	3400082	2	NUT, FIBER INSERT #8-32
4	3400096	2	FLATWASHER, #8
5	600912	2	BOLT, M6-1.00 X 16 AHCS
6	600933	2	NUT, M6-1.00 ESN SS
7	620124	1	BRACKET, SB SWITCH
8	620136	2	BOLT, #8-32 X 1.25 HH ZP
9	620137	1	SWITCH BODY, DPST W/GREEN LAMP
10	REF.	-	CONSOLE
11	REF.	-	FRAME

DSB BUMPER GROUP (600645)

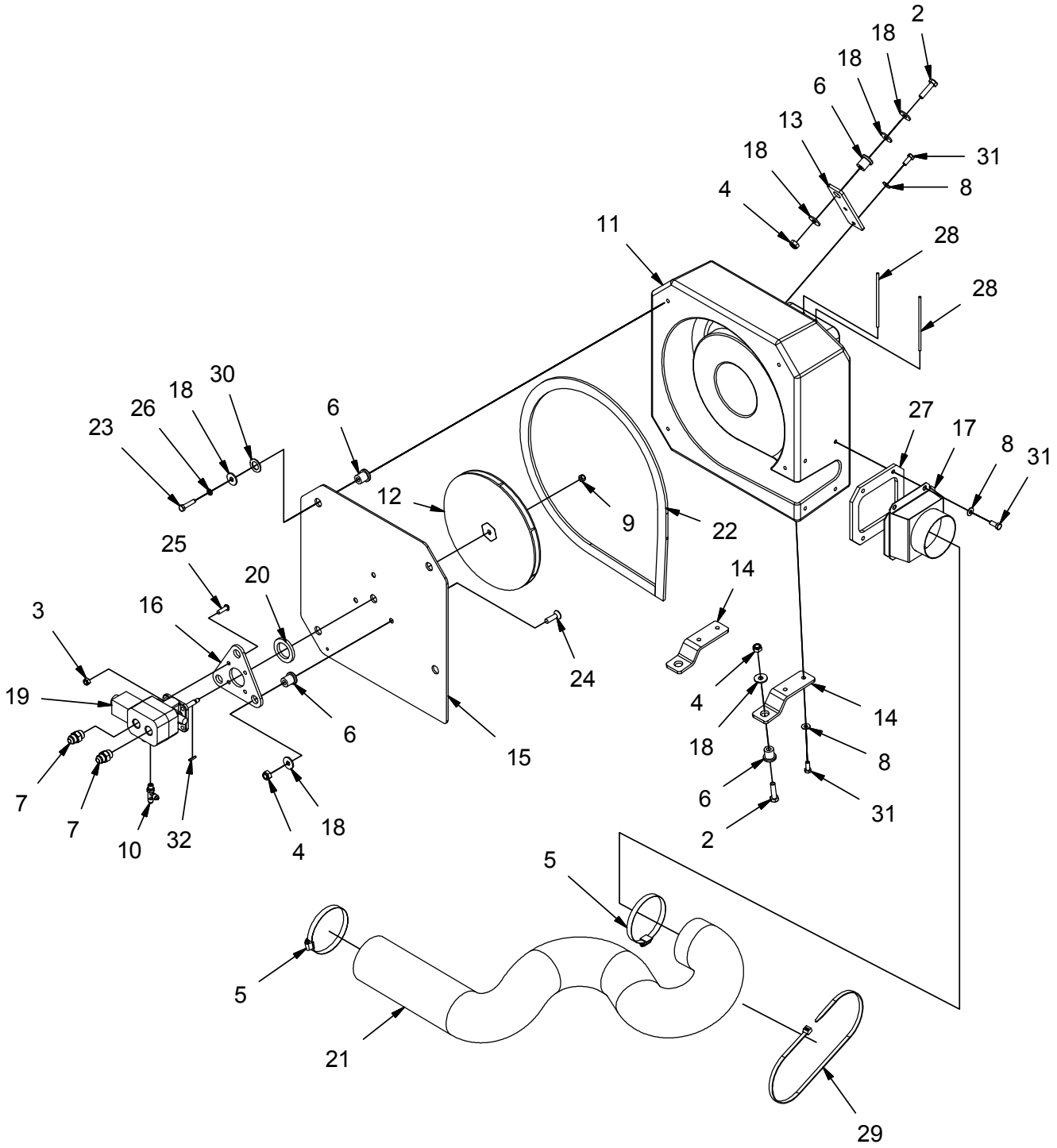


REV B

DSB BUMPER GROUP (600645)

Parts List			
ITEM	PART NUMBER	QTY	DESCRIPTION
1	11038254	2	BOLT, M8-125 X 30 HH
2	12040051	2	NUT, M8-1.25 ESN
3	12040077	6	NUT-NYLOC M12-1.75 STL ZINC
4	12310041	2	WASHER, M8
5	3400087	4	WASHER, 3/8
6	3400101	4	LOCK WASHER, 3/8 HS MED
7	600151	1	GROMMET, .63 ID .88 OD .25 T
8	600226	4	BUMPER
9	600268	2	SHIM, BUMPER
10	600581	2	CLAMP, WIRE CLIP
11	600846	1	WELDMENT, BUMPER, DUAL SB
12	600950	6	WASHER, M12
13	600956	6	BOLT, M12-1.75 X 25 HH
14	620209-1	4	ASSEMBLY, HEADLIGHT, 12VDC
15	711328	4	NUT, HEX 3/8-16

DSB IMPELLER GROUP (600656)

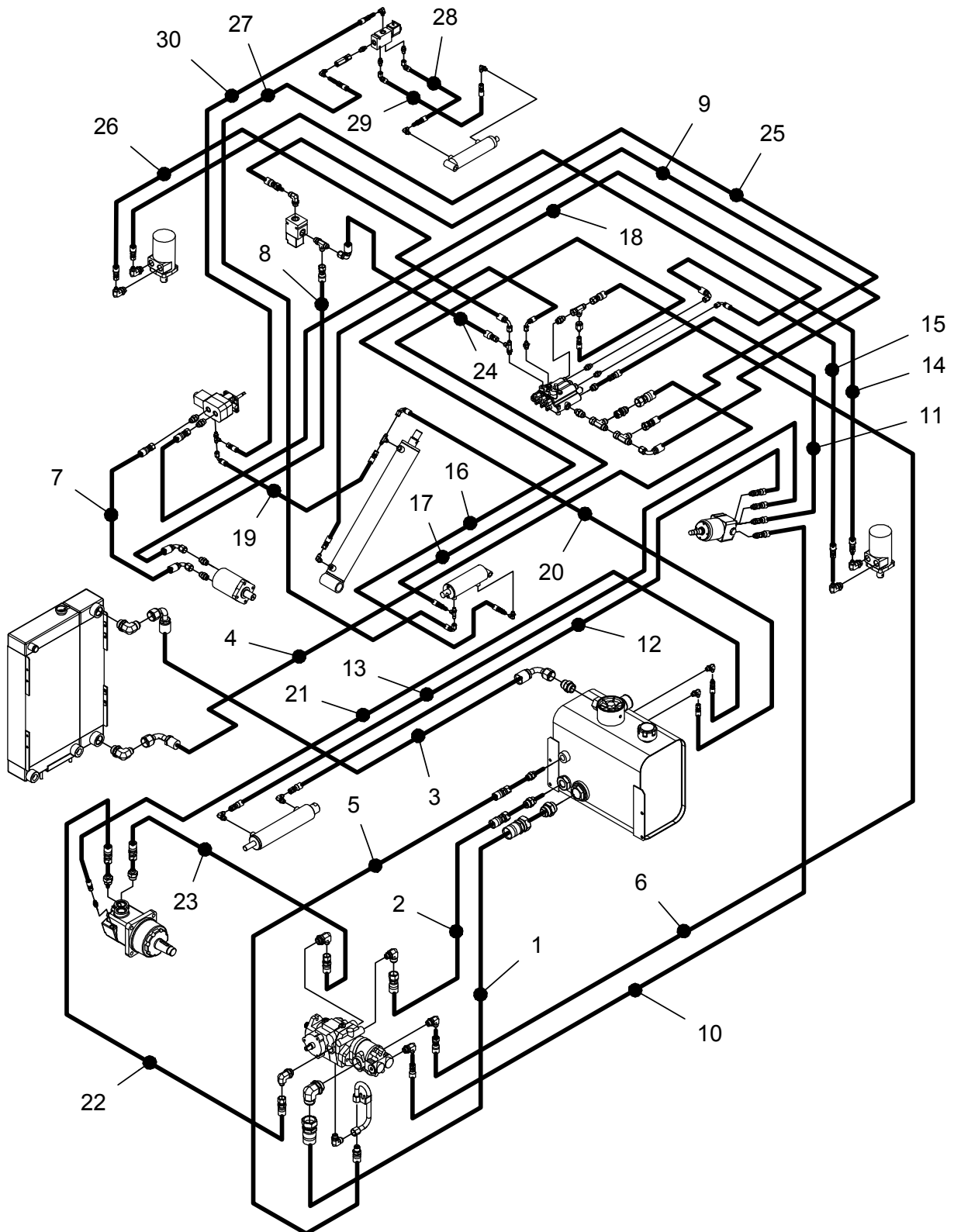


REV *

DSB IMPELLER GROUP (600656)

Parts List			
ITEM	PART NUMBER	QTY	DESCRIPTION
1	000710	-	ADHESIVE 3M #847 (USED ON 600903)
2	11038395	3	BOLT, M10-1.50 X 40 HH
3	12040051	4	NUT, M8-1.25 ESN
4	12040069	6	NUT, M10-1.50 ESN
5	3300351	2	CLAMP, HOSE, 4.50
6	3300465	10	ISOLATOR, VIB
7	3304899	2	FITTING, STR, 8 JIC - 8 O-RING
8	3400384	10	WASHER, 5/16 BELLEVILLE
9	3400420	1	NUT, 5/16-24 ESN
10	3400844	1	FTG, RUN TEE, 4 O-RING - 4 JIC - 4 JIC
11	600100	1	SHROUD, IMPELLER
12	600101	1	ASSY, IMPELLER
13	600202	1	BRACKET, SHROUD, UPPER
14	600203	2	BRACKET, SHROUD, LOWER
15	600204	1	PLATE, SHROUD
16	600205	1	PLATE, MOTOR MNT
17	600206	1	WELDMENT, DIFFUSER
18	600363	12	WASHER, ISOLATOR
19	600366	1	MOTOR, IMPELLER
20	600469	1	SEAL, DUST
21	600574	1	HOSE, 4.00 IMPELLER
22	600903	1	SEAL, IMPELLER
23	600918	4	BOLT, M8-125 X 35 HH
24	600954	3	SCREW, M10-1.50 X 35 FHMS
25	600958	4	BOLT, 5/16-18 X 1.00 BUTTON HD CAP
26	600959	4	LOCK WASHER, M8
27	620028	1	GASKET, OUTLET
28	620031	2	ROD, GUARD
29	620037	1	CABLE TIE, .35 X 34
30	66-431-A	4	WASHER, .77 B 1.25 OD .075 T
31	717024	10	BOLT, M8-1.25 X 20 HH
32	PART OF 600366	1	KEY, .125 SQ X .75

DSB HYDRAULIC HOSE GROUP (600652)

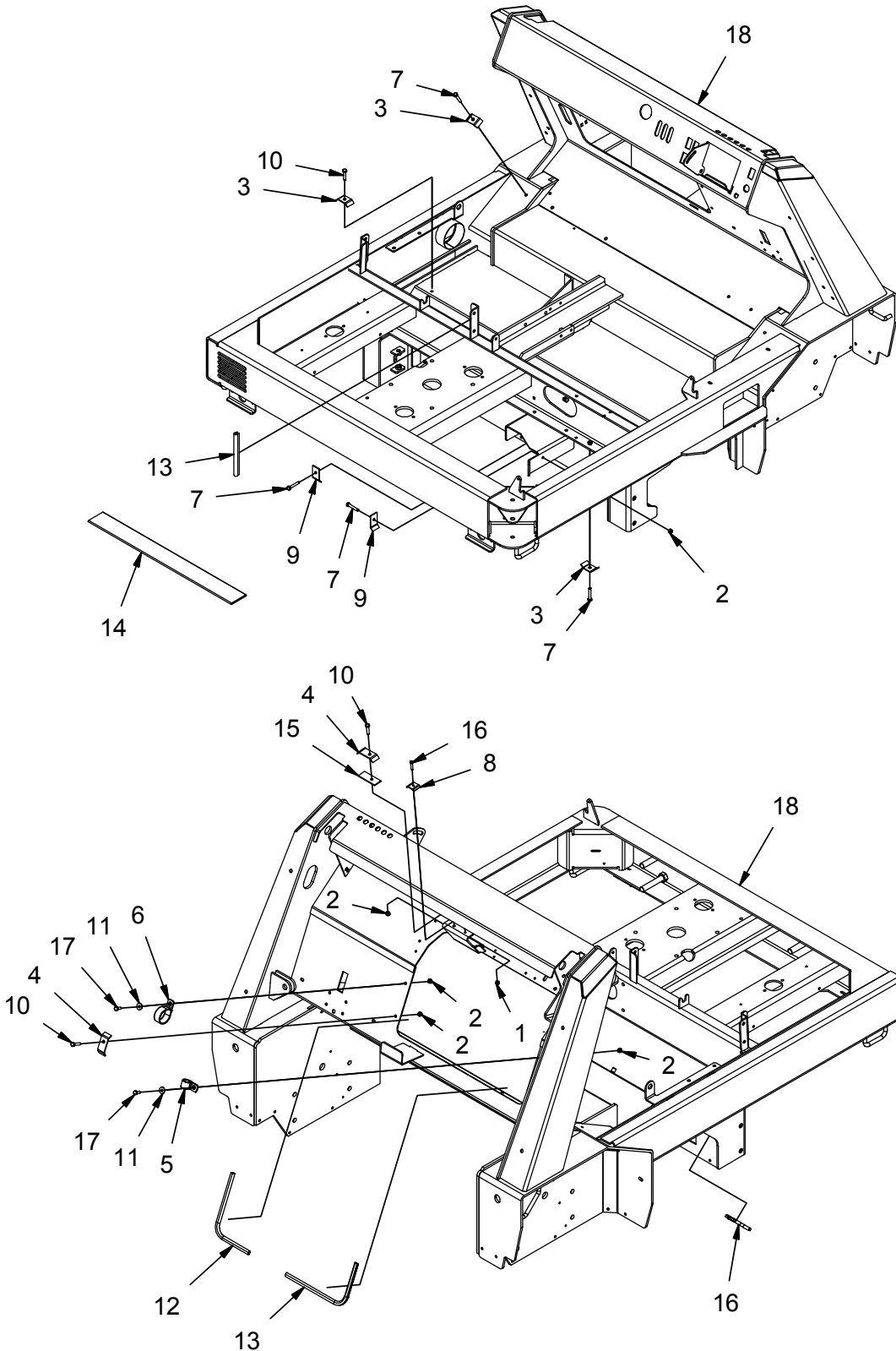


REV *

DSB HYDRAULIC HOSE GROUP (600652)

Parts List			
ITEM	PART NUMBER	QTY	DESCRIPTION
1	600968	1	HOSE, 20 STR - 20 STR SUC (RES TO AUX)
2	600969	1	HOSE, 12 STR - 12 STR SUC (RES TO CASE)
3	620084	1	HOSE, 16 90 - 16 90 RET (COOLER TO RES)
4	600971	1	HOSE, 12 STR - 12 90 RET (VALVE TO COOLER)
5	600972	1	HOSE, 10 STR - 10 STR MALE RET (CASE TO RES)
6	600973	1	HOSE, 8 STR - 8 STR MED (AUX TO VALVE)
7	600974	1	HOSE, 8 STR - 8 90 MED (MB TO IMP)
8	600975	1	HOSE, 8 STR - 8 90 MED (MB SOL TO MB)
9	600977	1	HOSE, 8-STR - 10 90 MED (IMP TO VALVE RET)
10	600978	1	HOSE, 6 STR - 6 STR MED (AUX TO STR PRESS)
11	600979	1	HOSE, 6 STR - 6 STR MED (STR TO VALVE RET)
12	600980	1	HOSE, 6 STR - 6 STR MED (STR TO CYL F)
13	600981	1	HOSE, 6 STR - 6 STR MED (STR TO CYL R)
14	620126	1	HOSE, 6 STR - 6 STR MED (RH SB TO LH SB)
15	600983	1	HOSE, 6 STR - 6 90 MED (VALVE TO RH SB)
16	600984	1	HOSE, 4 STR - 4 90 MED (VALVE TO DOOR CYL)
17	600985	1	HOSE, 4 STR - 4 STR MED (VALVE TO DOOR CYL R)
18	600986	1	HOSE, 4 STR - 4 90 MED (VALVE TO LIFT CYL L)
19	600987	1	HOSE, 4 STR - 4 90 RET (IMP TO LIFT CYL U)
20	600988	1	HOSE, 4 STR - 4 STR RET (LIFT CYL U TO RES)
21	600989	1	HOSE, 4 STR - 4 STR RET (WM CASE TO RES)
22	600990	1	HOSE, 8 STR - 8 STR SPCL (VDP R TO WM R)
23	600991	1	HOSE, 8 STR - 8 STR SPCL (VDP F TO WM L)
24	620121	1	HOSE, 6 STR - 8 90 MED (VALVE OUT TO MB SOL)
25	620122	1	HOSE, 8 STR - 10 STR MED (MB SOL TO VALVE RET)
26	620125	1	HOSE, 6 STR - 6 90 MED (LHSB TO MB THRU VALVE)
27	620127	1	HOSE, 4 STR - 4 90 MED (DOOR CYL R TO SB SOL PRESS)
28	620128	1	HOSE, 4 STR - 4 45 MED (SB SOL TO SB CYL R)
29	620129	1	HOSE, 4 STR - 4 45 MED (SB SOL TO SB CYL F)
30	620130	1	HOSE, 4 STR - 4 STR MED (SB SOL TO IMP CASE)

DSB HOSE CLAMP GROUP 1 (600647)

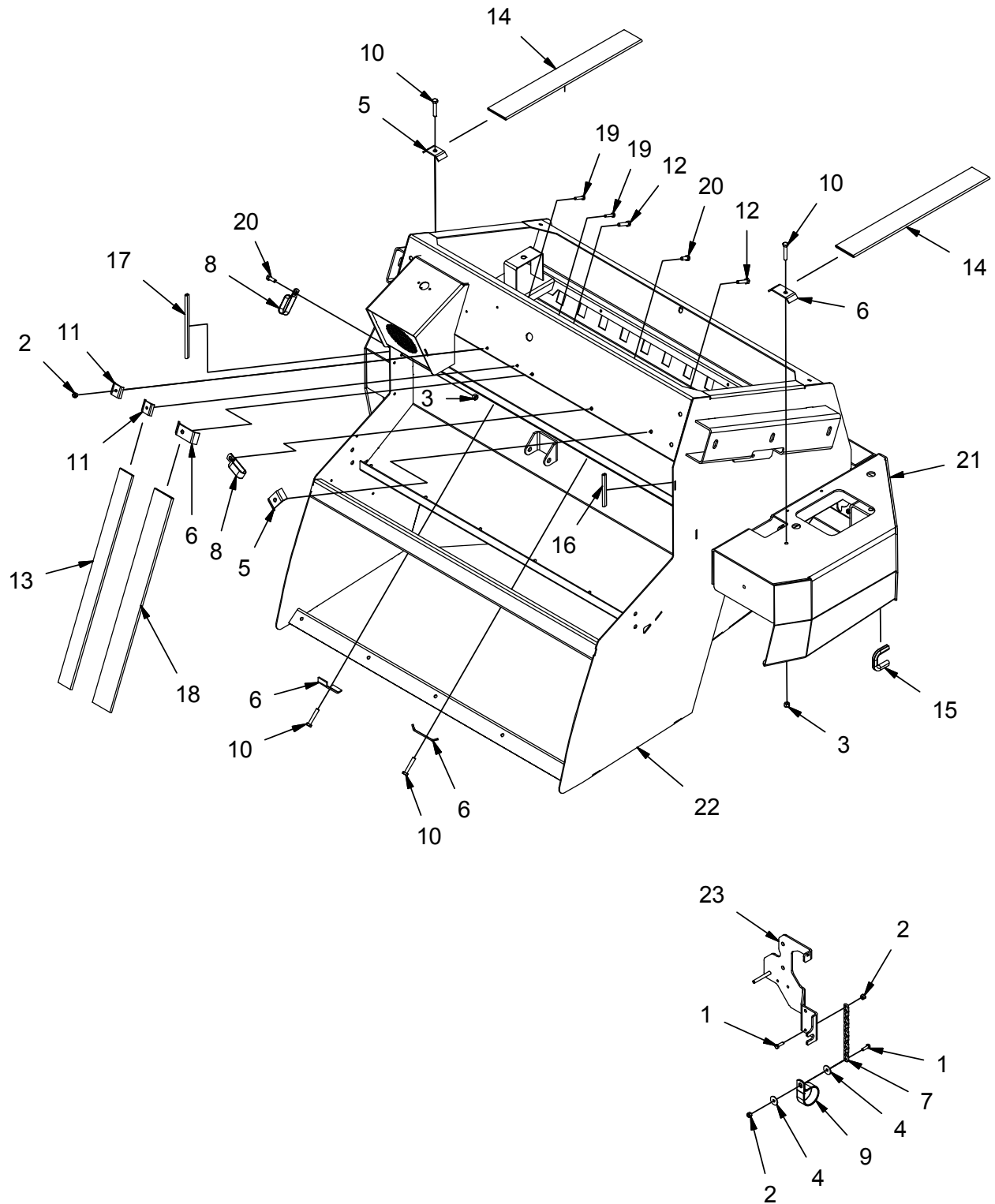


REV *

DSB HOSE CLAMP GROUP 1 (600647)

Parts List			
ITEM	PART NUMBER	QTY	DESCRIPTION
1	12040044	1	NUT, M6-1.00 ESN
2	12040051	9	NUT, M8-1.25 ESN
3	3301437	3	RETAINER, HOSE, SYM, 8
4	3305398	2	RETAINER, HOSE, OFFSET, 8
5	3400999	1	CLAMP, HOSE
6	3402005	1	CLAMP, 2"
7	600820	4	BOLT, M8-1.25 X 45 HH
8	600822	1	RETAINER, HOSE, SYM, 6
9	600823	2	RETAINER, HOSE, OFFSET, 8
10	600918	3	BOLT, M8-125 X 35 HH
11	600940	2	WASHER, M8 FENDER
12	620038	2	EDGING, 3/16 X 15.0"
13	620040	1	EDGING. 5/16 X 7.0"
14	620043	1	SLEEVE, AS-B-33 X 28.0"
15	620123	1	BAR, HOSE RETAINER
16	717021	1	BOLT, M6-100 X 30 HH
17	717024	2	BOLT, M8-1.25 X 20 HH
18	REF	-	FRAME

DSB HOSE CLAMP GROUP 2 - DIESEL (600648)

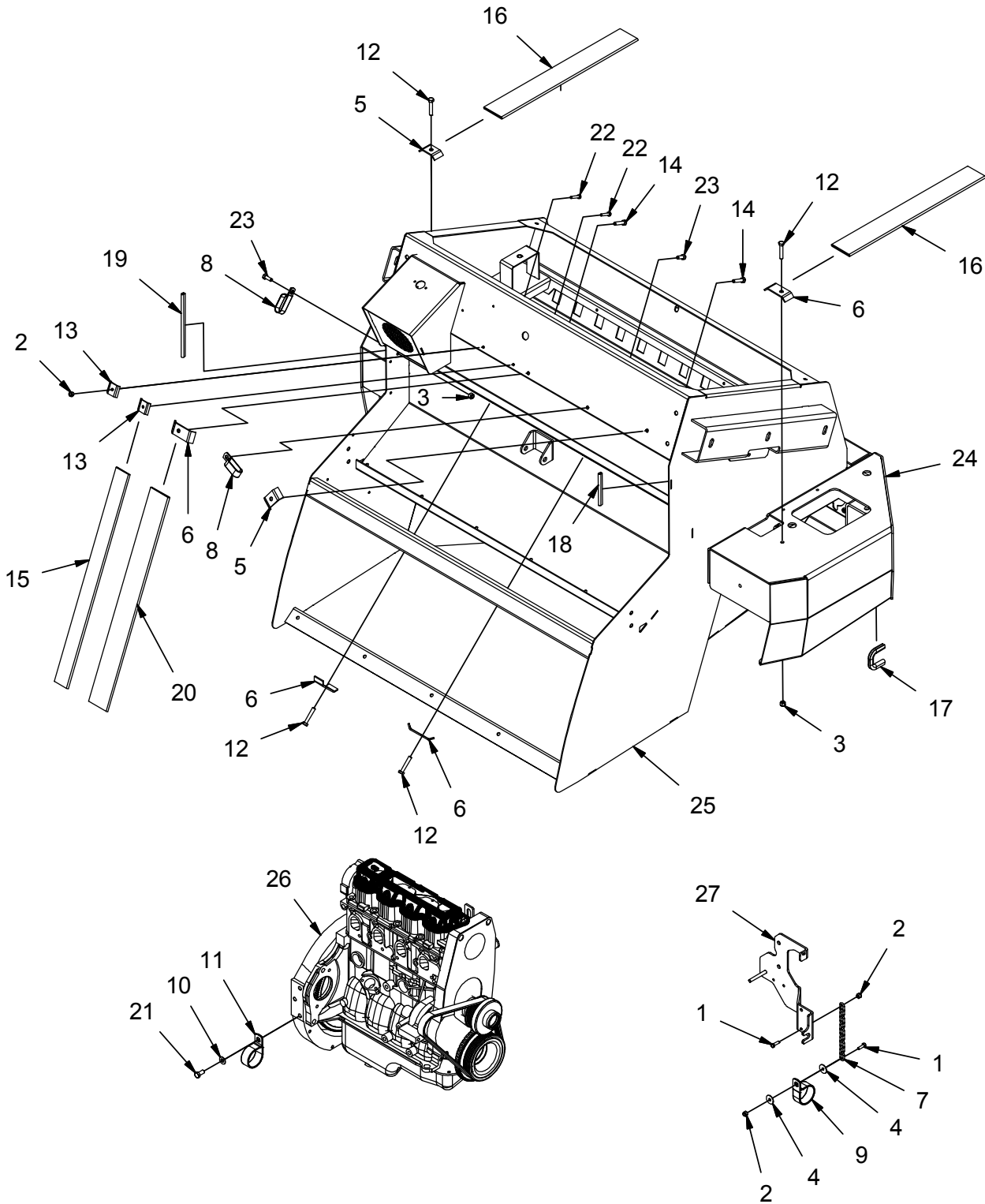


REV *

DSB HOSE CLAMP GROUP 2 - DIESEL (600648)

Parts List			
ITEM	PART NUMBER	QTY	DESCRIPTION
1	11038098	2	BOLT, M6-100 X 20 HH
2	12040044	4	NUT, M6-1.00 ESN
3	12040051	6	NUT, M8-1.25 ESN
4	12347027	2	WASHER, M6 FENDER
5	3301437	2	RETAINER, HOSE, SYM, 8
6	3305398	4	RETAINER, HOSE, OFFSET, 8
7	3307658	1	CHAIN, GROUND
8	3335599	2	CLAMP, HOSE
9	3343539	1	CLAMP, 2"
10	600820	4	BOLT, M8-1.25 X 45 HH
11	600822	2	RETAINER, HOSE, SYM, 6
12	600918	2	BOLT, M8-125 X 35 HH
13	620041	1	SLEEVE, AS-B-17 X 24.5"
14	620042	2	SLEEVE, AS-B-27 X 20.0"
15	620046	1	EDGING, 3/16 X 4.75"
16	620120	1	EDGING, 4"
17	620138	1	EDGING, 8"
18	620139	1	SLEEVE, AS-B-27 X 24.5"
19	717021	2	BOLT, M6-100 X 30 HH
20	717024	2	BOLT, M8-1.25 X 20 HH
21	REF.	-	DUAL SIDE BROOM BUMPER
22	REF.	-	DUAL SIDE BROOMHOPPER
23	REF.	1-	CAM MOUNT

DSB HOSE CLAMP GROUP 2 - GAS, LPG (600649)



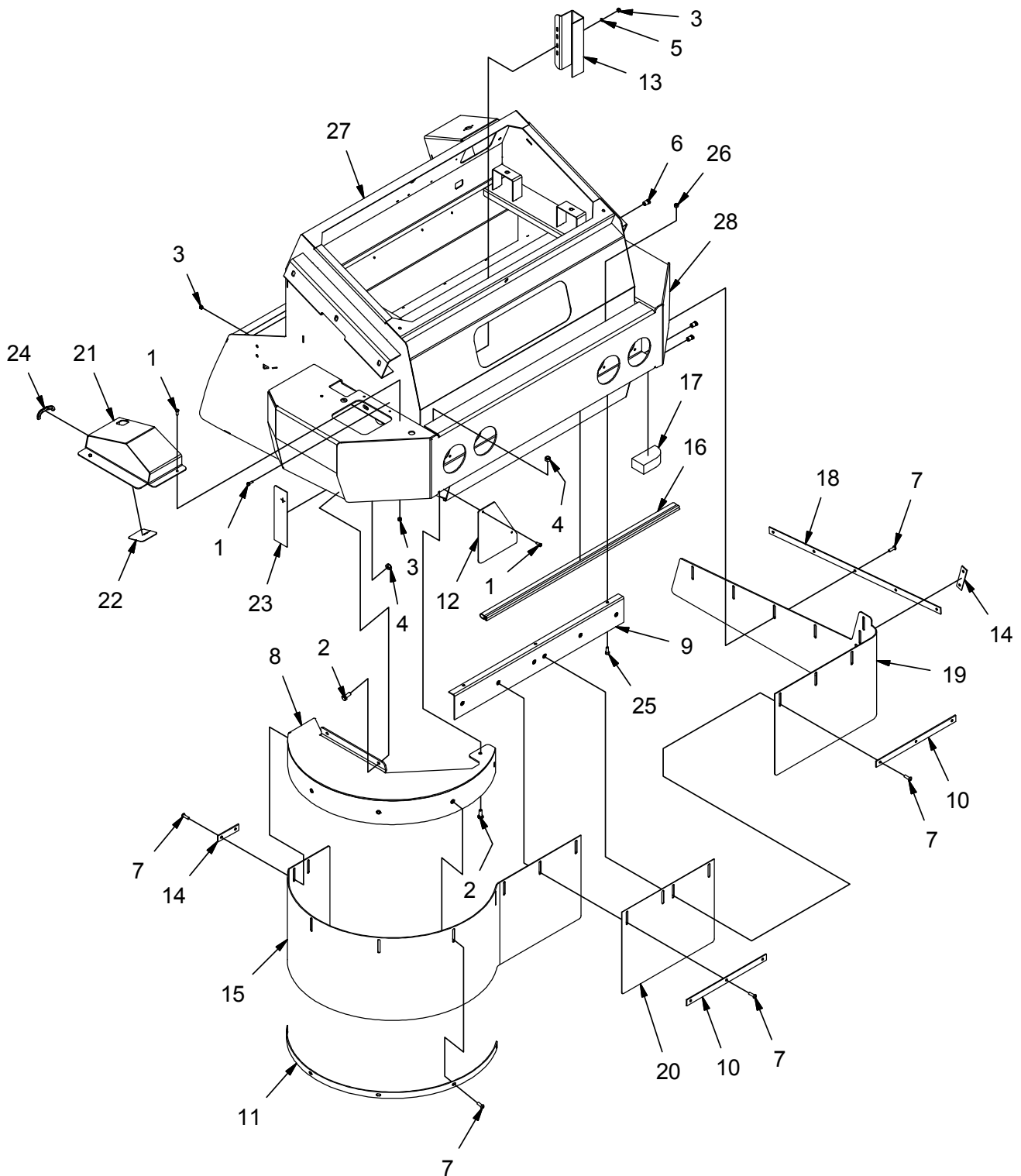
REV *

DSB HOSE CLAMP GROUP 2 - GAS, LPG (600649)

Parts List			
ITEM	PART NUMBER	QTY	DESCRIPTION
1	11038098	2	BOLT, M6-100 X 20 HH
2	12040044	4	NUT, M6-1.00 ESN
3	12040051	6	NUT, M8-1.25 ESN
4	12347027	2	WASHER, M6 FENDER
5	3301437	2	RETAINER, HOSE, SYM, 8
6	3305398	4	RETAINER, HOSE, OFFSET, 8
7	3307658	1	CHAIN, GROUND
8	3335599	2	CLAMP, HOSE
9	3343539	1	CLAMP, 2"
10	3400385	1	WASHER, 3/8. BELLEVILLE
11	3402005	1	CLAMP, 2"
12	600820	4	BOLT, M8-1.25 X 45 HH
13	600822	2	RETAINER, HOSE, SYM, 6
14	600918	2	BOLT, M8-125 X 35 HH
15	620041	1	SLEEVE, AS-B-17 X 24.5"
16	620042	2	SLEEVE, AS-B-27 X 20.0"
17	620046	1	EDGING, 3/16 X 4.75"
18	620120	1	EDGING, 4"
19	620138	1	EDGING, 8"
20	620139	1	SLEEVE, AS-B-27 X 24.5"
21	713041	1	SCREW, 3/8-16 X .750 HHC
22	717021	2	BOLT, M6-100 X 30 HH
23	717024	2	BOLT, M8-1.25 X 20 HH
24	REF.	-	DUAL SIDE BROOM BUMPER
25	REF.	-	DUAL SIDE BROOMHOPPER
26	REF.	-	ENGINE
27	REF.	1-	CAM MOUNT

OPTIONS - PARTS BREAKDOWN

OPTION - VACUUMIZED SIDE BROOM GROUP - PAGE 1 (600003)



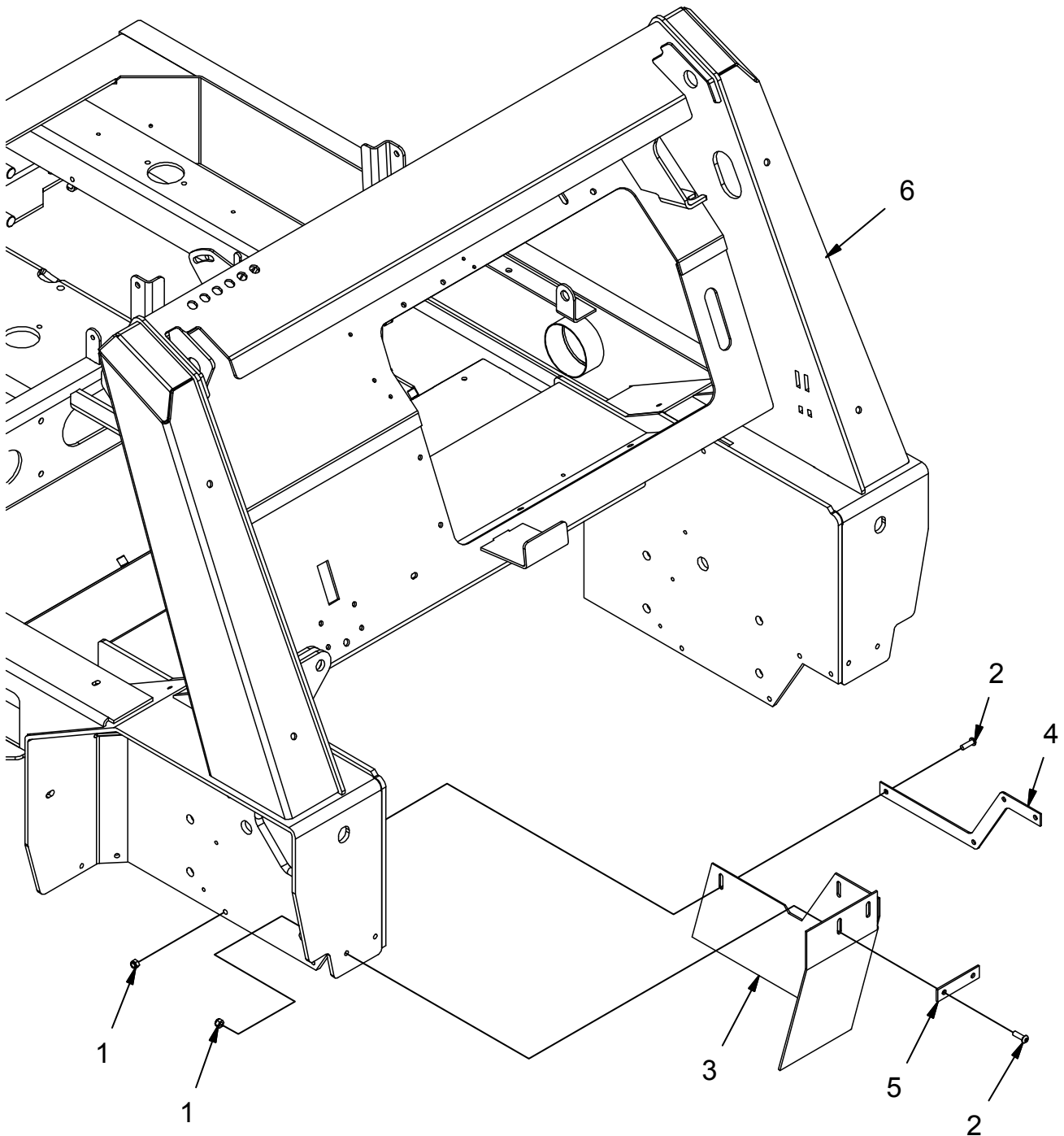
REV *

OPTION - VACUUMIZED SIDE BROOM GROUP - PAGE 1 (600003)

Parts List			
ITEM	PART NUMBER	QTY	DESCRIPTION
1	11038072	6	BOLT, M6-100 X 16 HH
2	11038346	3	BOLT, M10-1.50 X 25 HH
3	12040044	6	NUT, M6-1.00 ESN
4	12040069	3	NUT, M10-1.50 ESN
5	12310033	2	WASHER, M6
6	600852	3	M8-1.25 INSERT, .188 GRIP
7	600917	20	SCREW, M8-1.25 X 25 BUTTON HD CAP SS
8	620016-1	1	ASSEMBLY, RH VAC SB COVER
9	620021-1	1	ASSEMBLY, BUMPER SKIRT MNT
10	620023	2	STRAP, BUMPER SKIRT
11	620024	1	STRAP, SIDE SKIRT
12	620047	1	PLATE, AIR DAM
13	620048	1	TUBE, AIR
14	620049	2	STRAP, SHORT
15	620051	1	SKIRT, VAC SB
16	620053	1	SEAL, BUMPER
17	620054	1	SEAL, CORNER
18	620055	1	STRAP, VAC SB SKIRT
19	620056	1	SKIRT, VAC SB, LH
20	620101	1	SKIRT, FRONT
21	620102	1	WELDMENT, VAC SB HOSE COVER
22	620105	1	SEAL, CABLE
23	620109	1	SEAL, BUMPER
24	620119	1	EDGING
25	717024	3	BOLT, M8-1.25 X 20 HH
26	717029	3	NUT, M8-1.25 ESN SS
27	REF	-	HOPPER
28	REF	-	FRONT BUMPER

**OPTION GROUP (600003) - VACUUMIZED SIDE BROOM GROUP, INCLUDES:
600003 PAGE 1 & 600003 PAGE 2.**

OPTION - VACUUMIZED SIDE BROOM GROUP - PAGE 2 (600003)



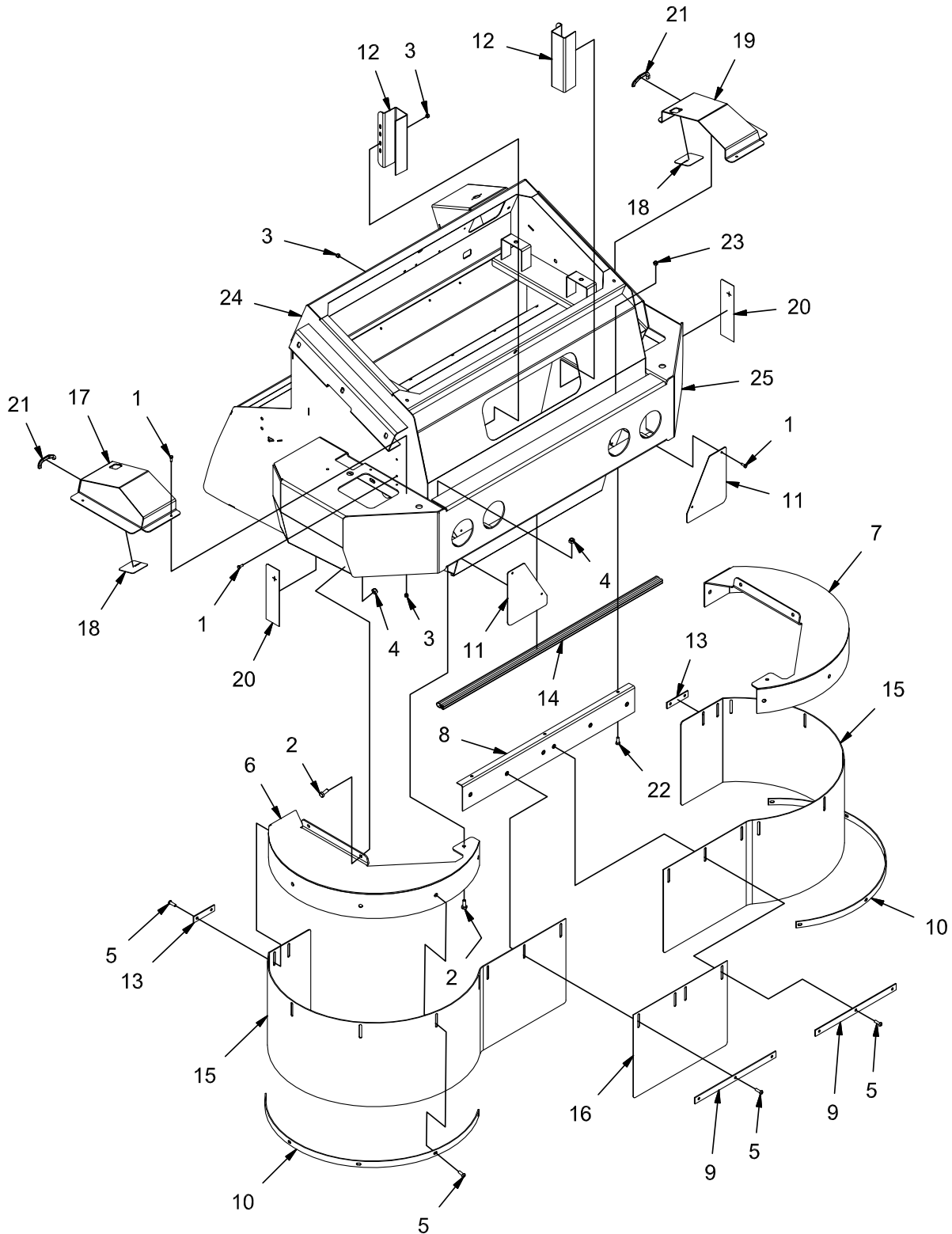
REV *

OPTION - VACUUMIZED SIDE BROOM GROUP - PAGE 2 (600003)

Parts List			
ITEM	PART NUMBER	QTY	DESCRIPTION
1	12040051	6	NUT, M8-1.25 ESN
2	600917	6	SCREW, M8-1.25 X 25 BUTTON HD CAP SS
3	620025	1	SKIRT, MID
4	620026	1	STRAP, MID SKIRT
5	620049	1	STRAP, SHORT
6	REF	-	FRAME

**OPTION GROUP (600003) - VACUUMIZED SIDE BROOM GROUP, INCLUDES:
600003 PAGE 1 & 600003 PAGE 2.**

OPTION - DUAL VACUUMIZED SIDE BROOM GROUP - PAGE 1 (600004)



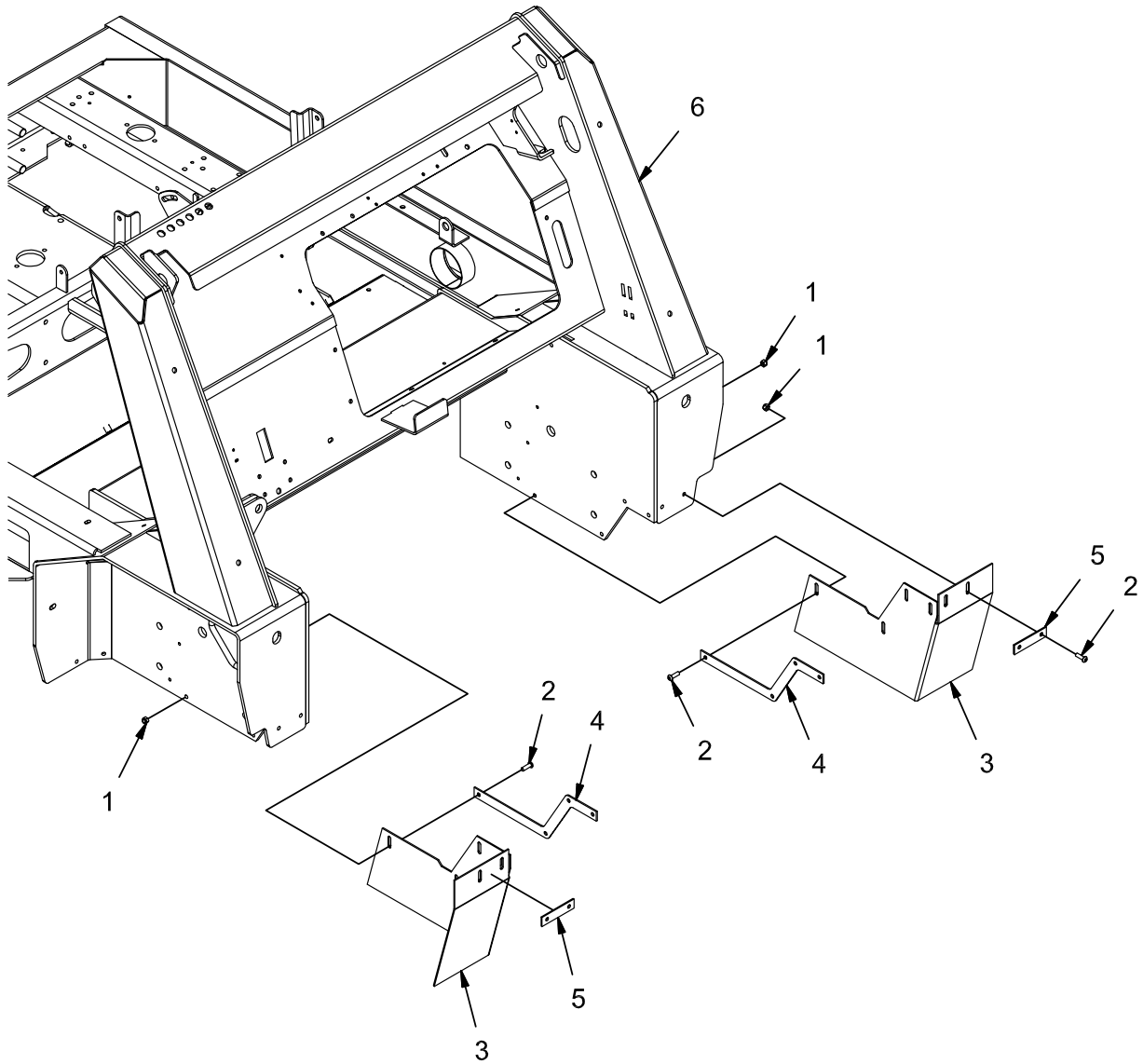
REV B

OPTION - DUAL VACUUMIZED SIDE BROOM GROUP - PAGE 1 (600004)

Parts List			
ITEM	PART NUMBER	QTY	DESCRIPTION
1	11038072	12	BOLT, M6-100 X 16 HH
2	11038346	6	BOLT, M10-1.50 X 25 HH
3	12040044	12	NUT, M6-1.00 ESN
4	12040069	6	NUT, M10-1.50 ESN
5	600917	20	SCREW, M8-1.25 X 25 BUTTON HD CAP SS
6	620016-1	1	ASSEMBLY, RH VAC SB COVER
7	620019-1	1	ASSEMBLY, LH VAC SB COVER
8	620021-1	1	ASSEMBLY, BUMPER SKIRT MNT
9	620023	2	STRAP, BUMPER SKIRT
10	620024	2	STRAP, SIDE SKIRT
11	620047	2	PLATE, AIR DAM
12	620048	2	TUBE, AIR
13	620049	2	STRAP, SHORT
14	620050	1	SEAL, BUMPER
15	620051	2	SKIRT, VAC SB
16	620101	1	SKIRT, FRONT
17	620102	1	WELDMENT, VAC SB HOSE COVER
18	620105	2	SEAL, CABLE
19	620106	1	WELDMENT, VAC SB HOSE COVER, LH
20	620109	2	SEAL, BUMPER
21	620119	2	EDGING
22	717024	3	BOLT, M8-1.25 X 20 HH
23	717029	3	NUT, M8-1.25 ESN SS
24	REF.	-	ASSEMBLY, HOPPER, DUAL SB
25	REF.	-	BUMPER, DUAL SB

**OPTION GROUP (600004) - DUAL VACUUMIZED SIDE BROOM GROUP, INCLUDES:
600004 PAGE 1 & 600004 PAGE 2.**

OPTION - DUAL VACUUMIZED SIDE BROOM GROUP - PAGE 2 (600004)



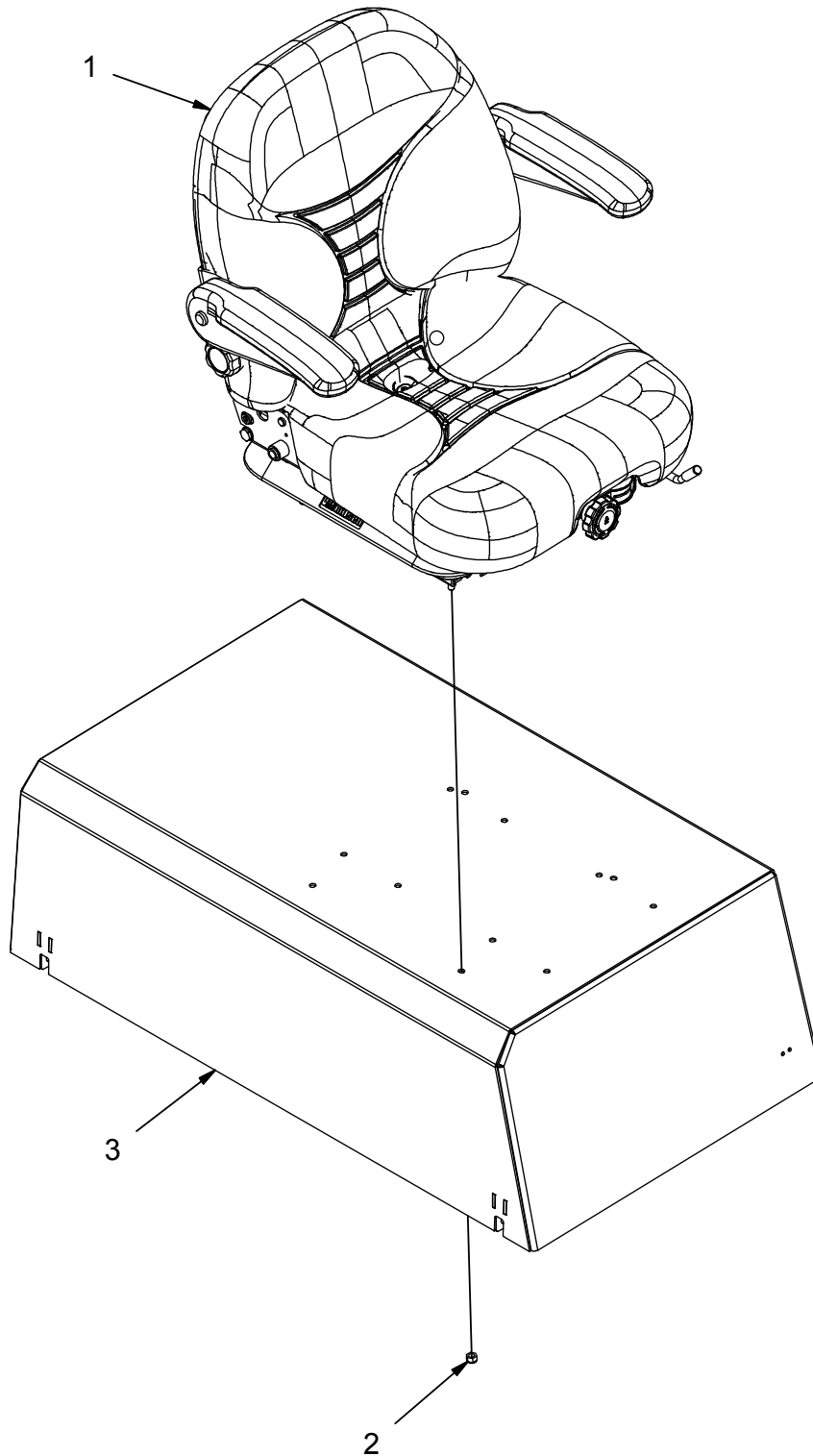
REV B

OPTION - DUAL VACUUMIZED SIDE BROOM GROUP - PAGE 2 (600004)

Parts List			
ITEM	PART NUMBER	QTY	DESCRIPTION
1	12040051	12	NUT, M8-1.25 ESN
2	600917	12	SCREW, M8-1.25 X 25 BUTTON HD CAP SS
3	620025	1	SKIRT, MID
4	620026	2	STRAP, MID SKIRT
5	620049	2	STRAP, SHORT
6	REF	-	FRAME

**OPTION GROUP (600004) - DUAL VACUUMIZED SIDE BROOM GROUP, INCLUDES:
600004 PAGE 1 & 600004 PAGE 2.**

OPTION - SUSPENSION SEAT GROUP (600005)

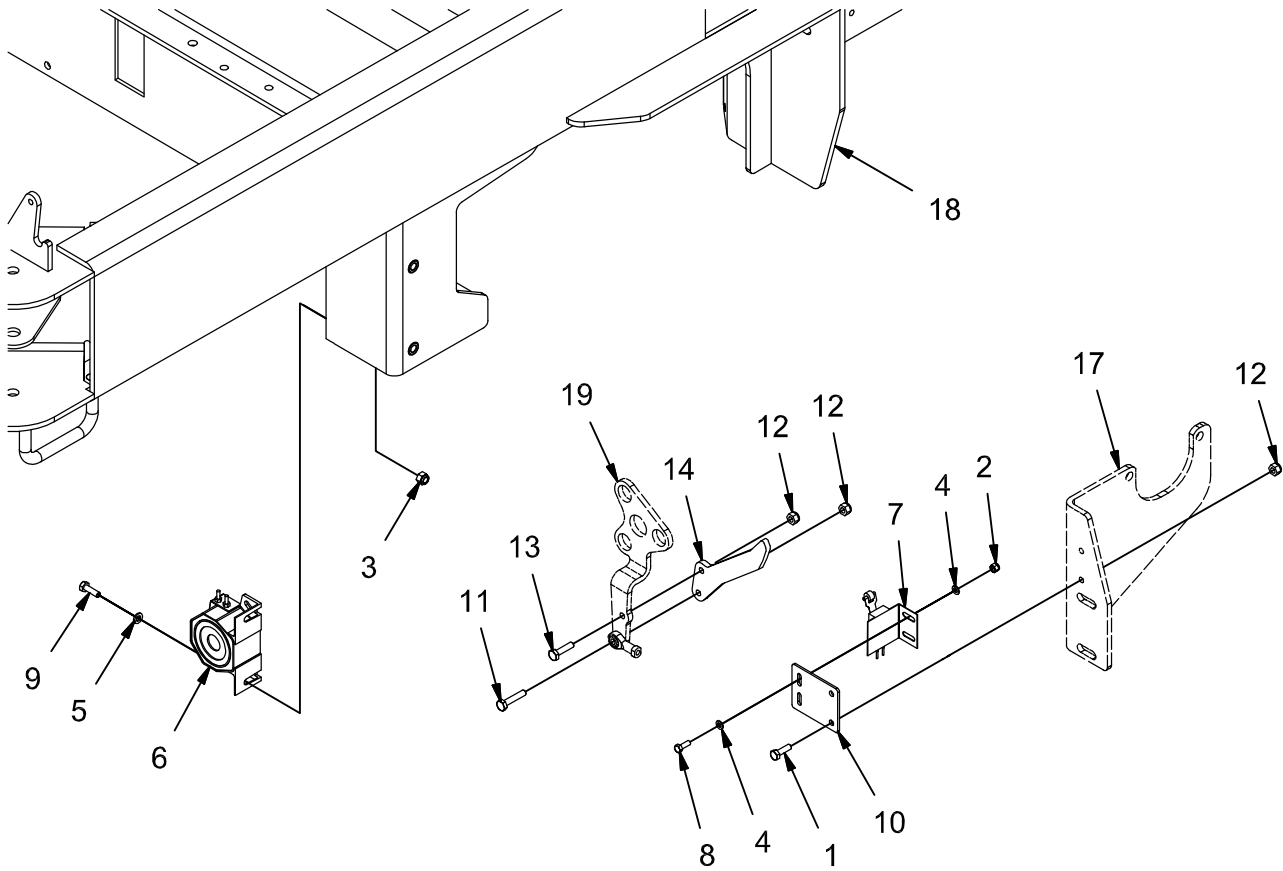


REV A

OPTION - SUSPENSION SEAT GROUP (600005)

Parts List			
ITEM	PART NUMBER	QTY	DESCRIPTION
1	620191	1	SEAT, SUSPENSION
2	711374	4	NUT, FIBER INSERT 5/16-18
3	REF	-	PUMP COVER

OPTION - BACKUP ALARM GROUP (600006)

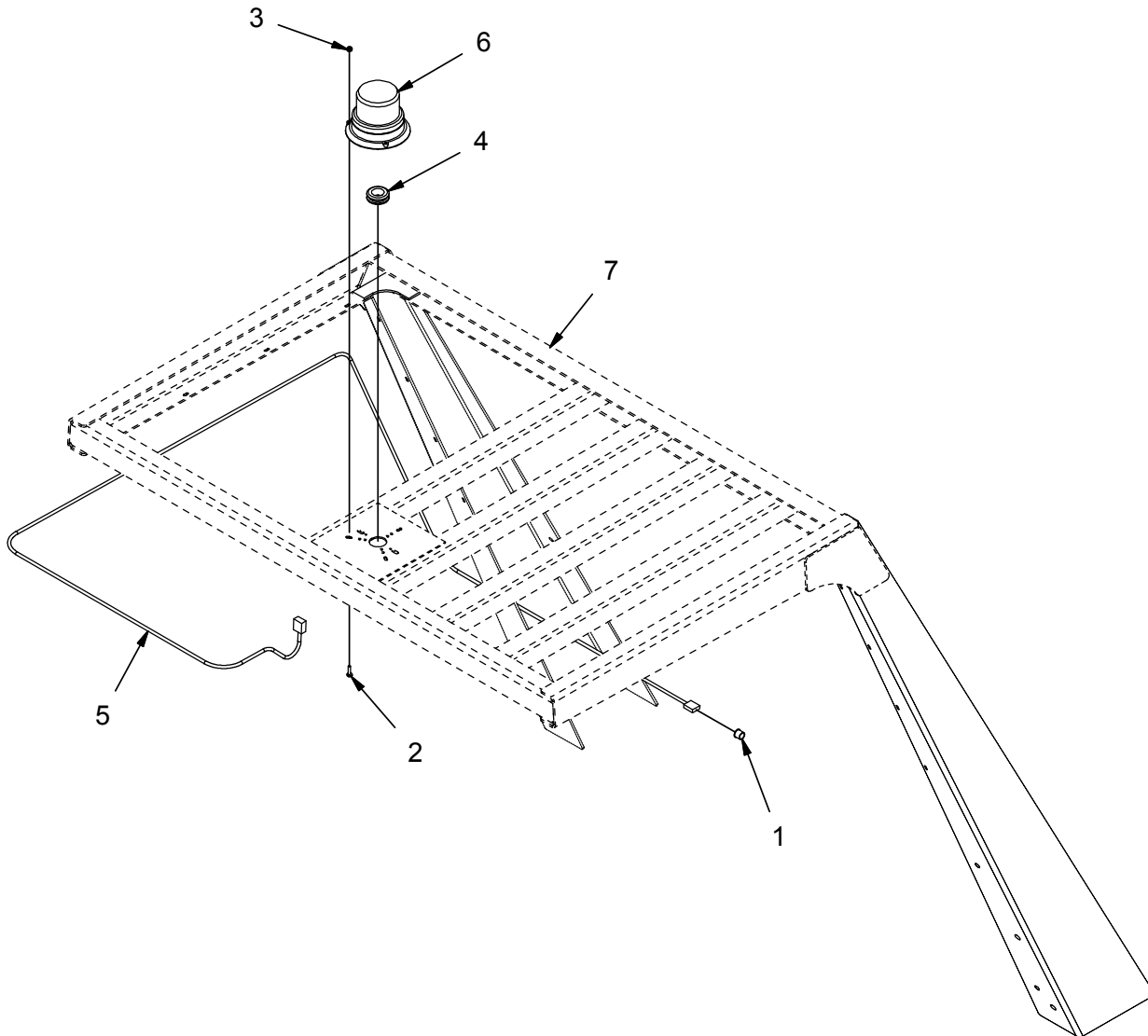


REV B

OPTION - BACKUP ALARM GROUP (600006)

Parts List 60006			
ITEM	PART NUMBER	QTY	DESCRIPTION
1	11038098	2	BOLT, M6-100 X 20 HH
2	12040036	2	NUT, M5 - 0.8 ESN
3	12040044	2	NUT, M6-1.00 ESN
4	12310025	4	WASHER, M5
5	12310033	2	WASHER, M6
6	3303002	1	ALARM, BACKUP
7	600853-1	1	SWITCH, LIMIT, N.O.
8	600911	2	BOLT, M5-0.8 X 14 HH
9	600913	2	BOLT, M6-100 X 20 HH SS
10	620246	1	MOUNT, REVERSE SWITCH
11	711210	1	SCREW, 1/4-20 X 1.25 ZP FULL THREAD
12	711377	4	NUT, FIBER INSERT 1/4-20
13	713003	1	SCREW, 1/4-20 X 1.00 HH
14	731000	1	CAM, SWITCH
15	748913	1	HARNESS, BACKUP ALARM OPT
16	748947	1	QC7, WIRE JUNCTION
17	REF	-	HYDROBACK MOUNT
18	REF	-	FRAME
19	REF	-	DIR CONT ARM

OPTION - SAFETY LIGHT, AMBER STROBE LIGHT OHG GROUP (600007)

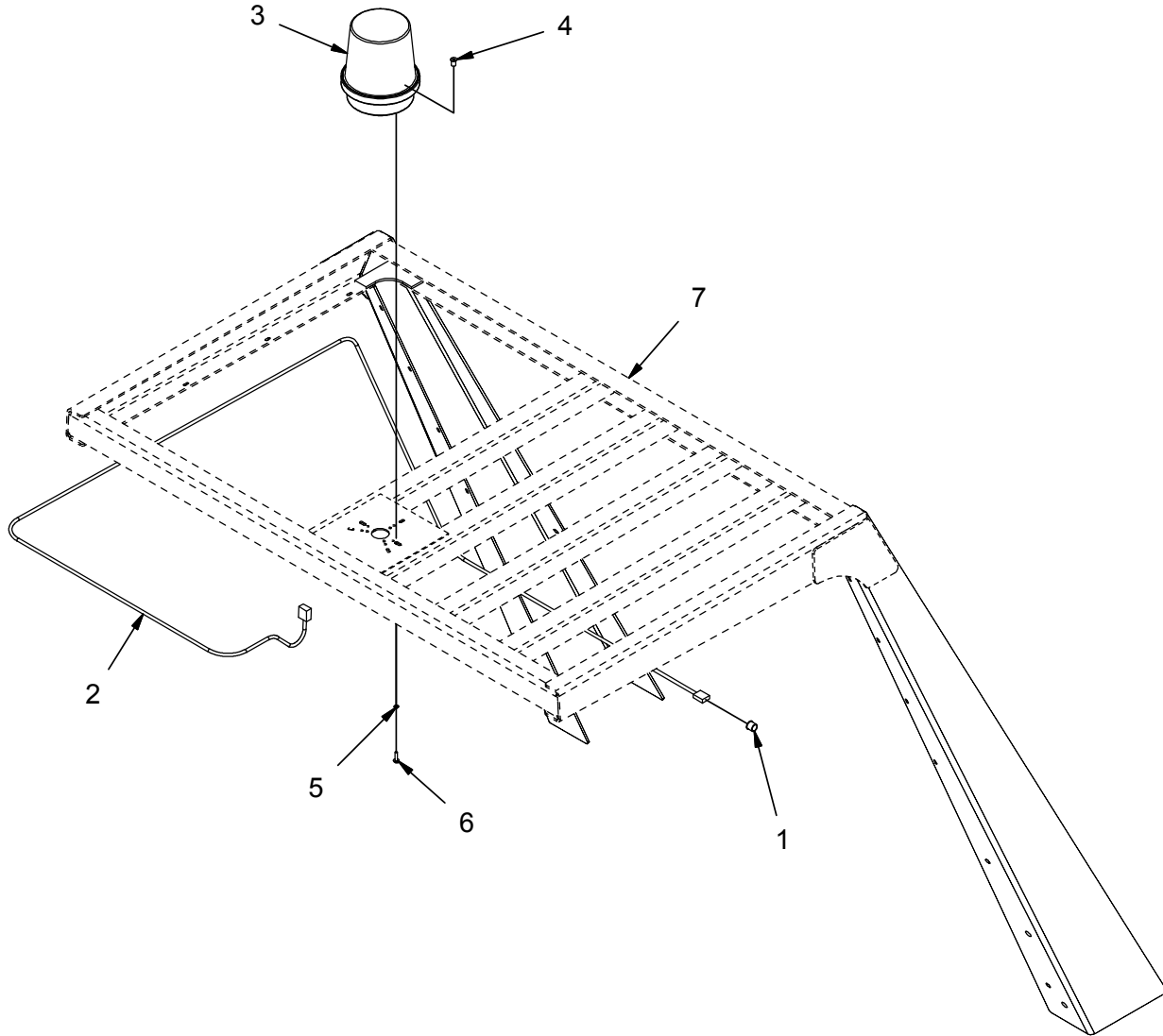


REV A

OPTION - SAFETY LIGHT, AMBER STROBE LIGHT OHG GROUP (600007)

Parts List			
ITEM	PART NUMBER	QTY	DESCRIPTION
1	170033	1	HEYCO BUSHING, .50X.625X.56
2	3400044	3	#10-32 X .75 SERHXFLGSCRZ
3	3400172	3	NUT, 10-32 ESN
4	620160	1	GROMMET, 1.00 ID .1.375 OD .25 T
5	748916	1	HARNES, SAFETY LIGHT, OHG
6	748918	1	ASSEMBLY, AMBER STROBE LIGHT
7	REF	-	OVERHEAD GUARD
-	748947	1	QC7, WIRE JUNCTION

OPTION - SAFETY LIGHT, AMBER ROTATING LIGHT OHG GROUP (600008)

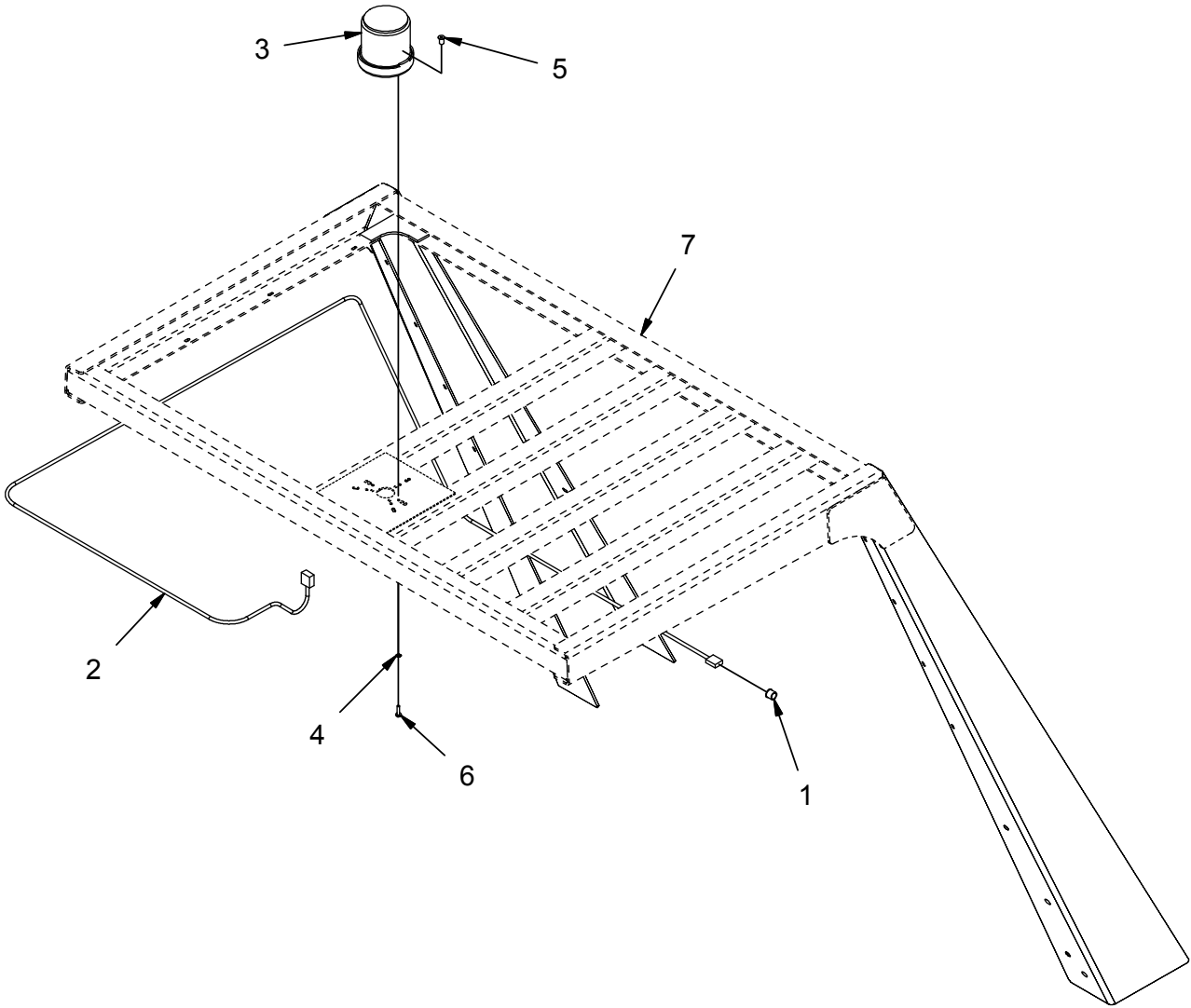


REV A

OPTION - SAFETY LIGHT, AMBER ROTATING LIGHT OHG GROUP (600008)

Parts List			
ITEM	PART NUMBER	QTY	DESCRIPTION
1	170033	1	HEYCO BUSHING, .50X.625X.56
2	748916	1	HARNESS, SAFETY LIGHT, OHG
3	748919	1	ASSEMBLY, AMBER ROTATING LIGHT
4	PART OF 748919	2	NUT, EXPANSION
5	PART OF 748919	2	STAR WASHER
6	PART OF 748919	2	SCREW
7	REF.	-	OVERHEAD GUARD
-	748947	1	QC7, WIRE JUNCTION

OPTION - SAFETY LIGHT, AMBER FLASHING LIGHT OHG GROUP (600009)

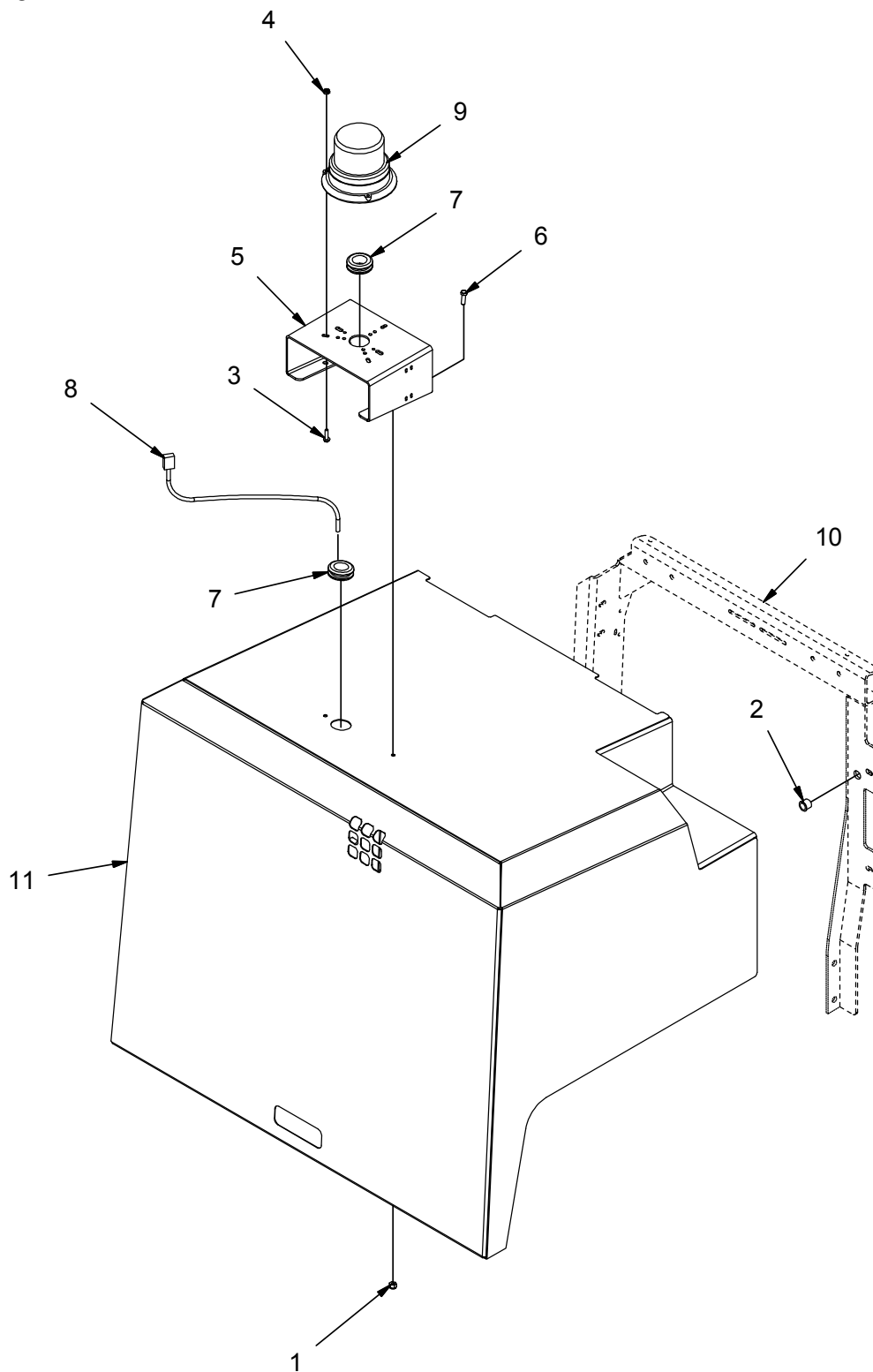


REV A

OPTION - SAFETY LIGHT, AMBER FLASHING LIGHT OHG GROUP (600009)

Parts List			
ITEM	PART NUMBER	QTY	DESCRIPTION
1	170033	1	HEYCO BUSHING, .50X.625X.56
2	748916	1	HARNESS, SAFETY LIGHT, OHG
3	748920	1	ASSEMBLY, AMBER FLASHING LIGHT
4	PART OF 748920	2	STAR WASHER
5	PART OF 748920	2	NUT, EXPANSION
6	PART OF 748920	2	SCREW
7	REF.	-	OVERHEAD GUARD
-	748947	1	QC7, WIRE JUNCTION

OPTION - SAFETY LIGHT, AMBER STROBE LIGHT ENG CVR GROUP (600010)

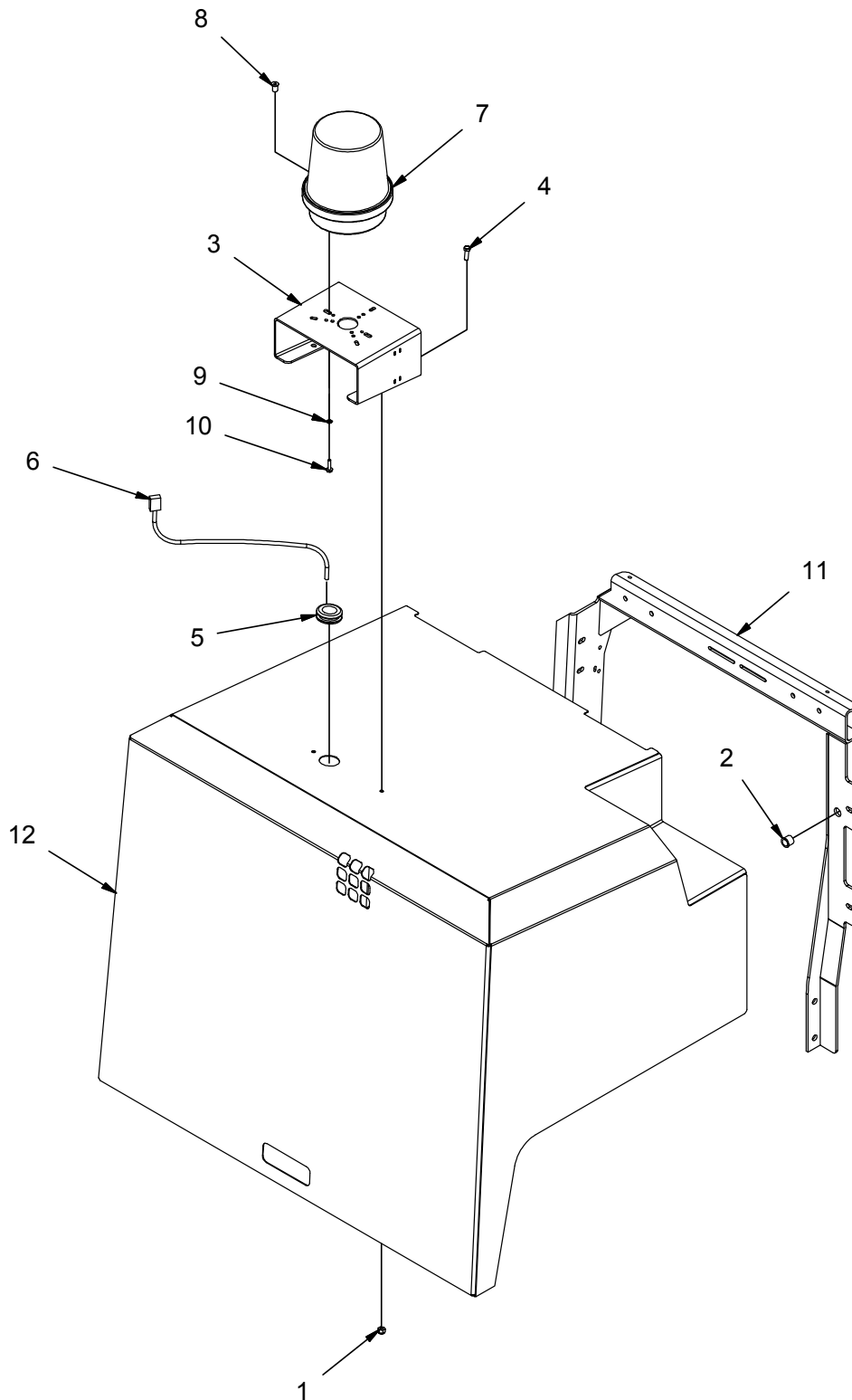


REV A

OPTION - SAFETY LIGHT, AMBER STROBE LIGHT ENG CVR GROUP (600010)

Parts List			
ITEM	PART NUMBER	QTY	DESCRIPTION
1	12040044	2	NUT, M6-1.00 ESN
2	170033	1	HEYCO BUSHING, .50X.625X.56
3	3400044	3	#10-32 X .75 SERHXFLGSCRZ
4	3400172	3	NUT, 10-32 ESN
5	600896	1	MOUNT, SAFETY LIGHTS
6	600913	2	BOLT, M6-100 X 20 HH SS
7	620160	2	GROMMET, 1.00 ID .1.375 OD .25 T
8	748917	1	HARNESS, SAFETY LIGHT, ENG COV
9	748918	1	ASSEMBLY, AMBER STROBE LIGHT
10	REF.	-	COVER FRAME
11	REF.	-	ENGINE COVER
-	748947	1	QC7, WIRE JUNCTION

OPTION - SAFETY LIGHT, AMBER ROTATING LIGHT ENG CVR GROUP (600011)

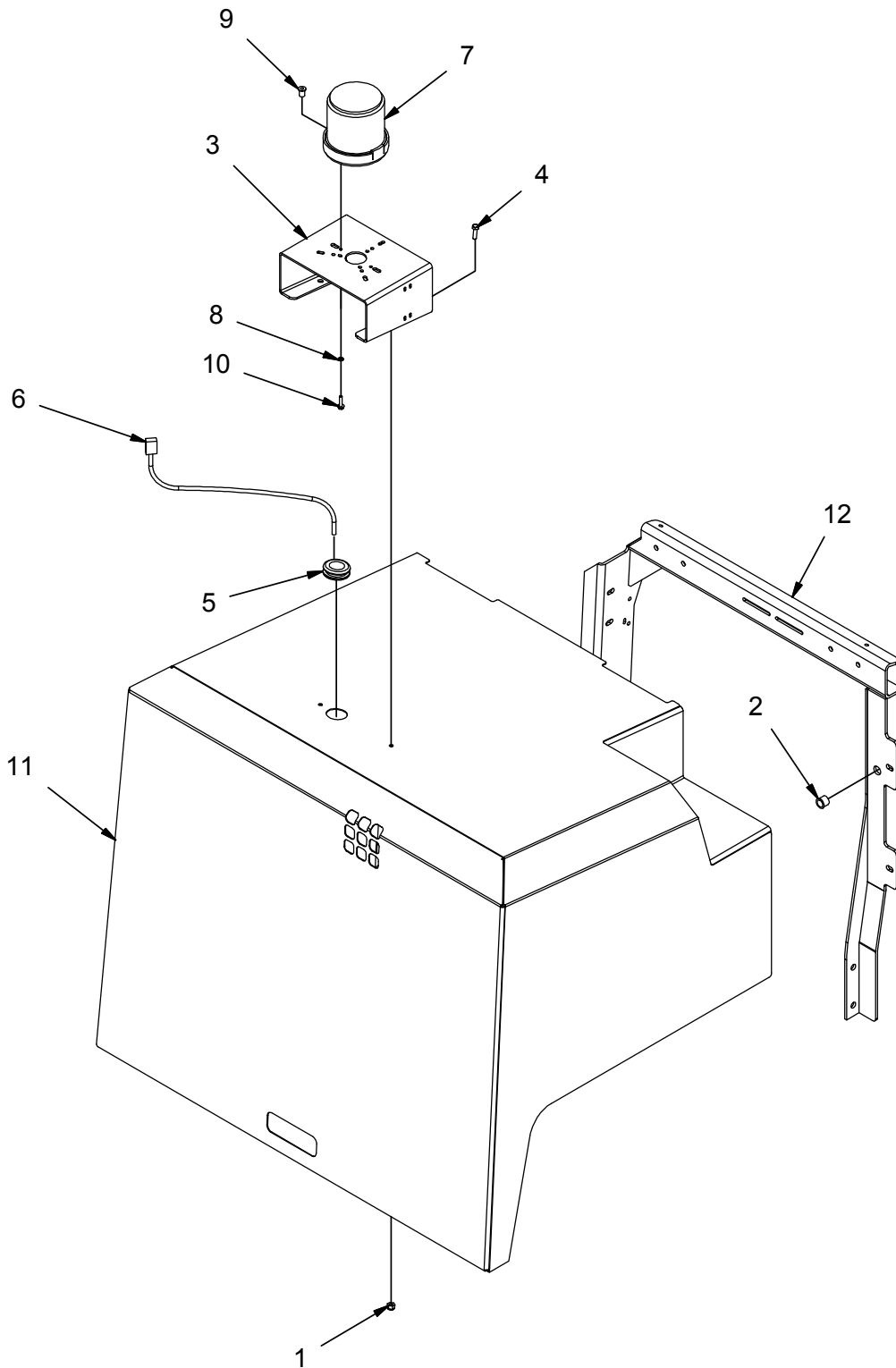


REV A

OPTION - SAFETY LIGHT, AMBER ROTATING LIGHT ENG CVR GROUP (600011)

Parts List			
ITEM	PART NUMBER	QTY	DESCRIPTION
1	12040044	2	NUT, M6-1.00 ESN
2	170033	1	HEYCO BUSHING, .50X.625X.56
3	600896	1	MOUNT, SAFETY LIGHTS
4	600913	2	BOLT, M6-100 X 20 HH SS
5	620160	1	GROMMET, 1.00 ID .1.375 OD .25 T
6	748917	1	HARNESS, SAFETY LIGHT, ENG COV
7	748919	1	ASSEMBLY, AMBER ROTATING LIGHT
8	PART OF 748919	2	NUT, EXPANSION
9	PART OF 748919	2	STAR WASHER
10	PART OF 748919	2	SCREW
11	REF.	-	COVER FRAME
12	REF.	-	ENGINE COVER
-	748947	1	QC7, WIRE JUNCTION

OPTION - SAFETY LIGHT, AMBER FLASHING LIGHT ENG CVR GROUP (600012)

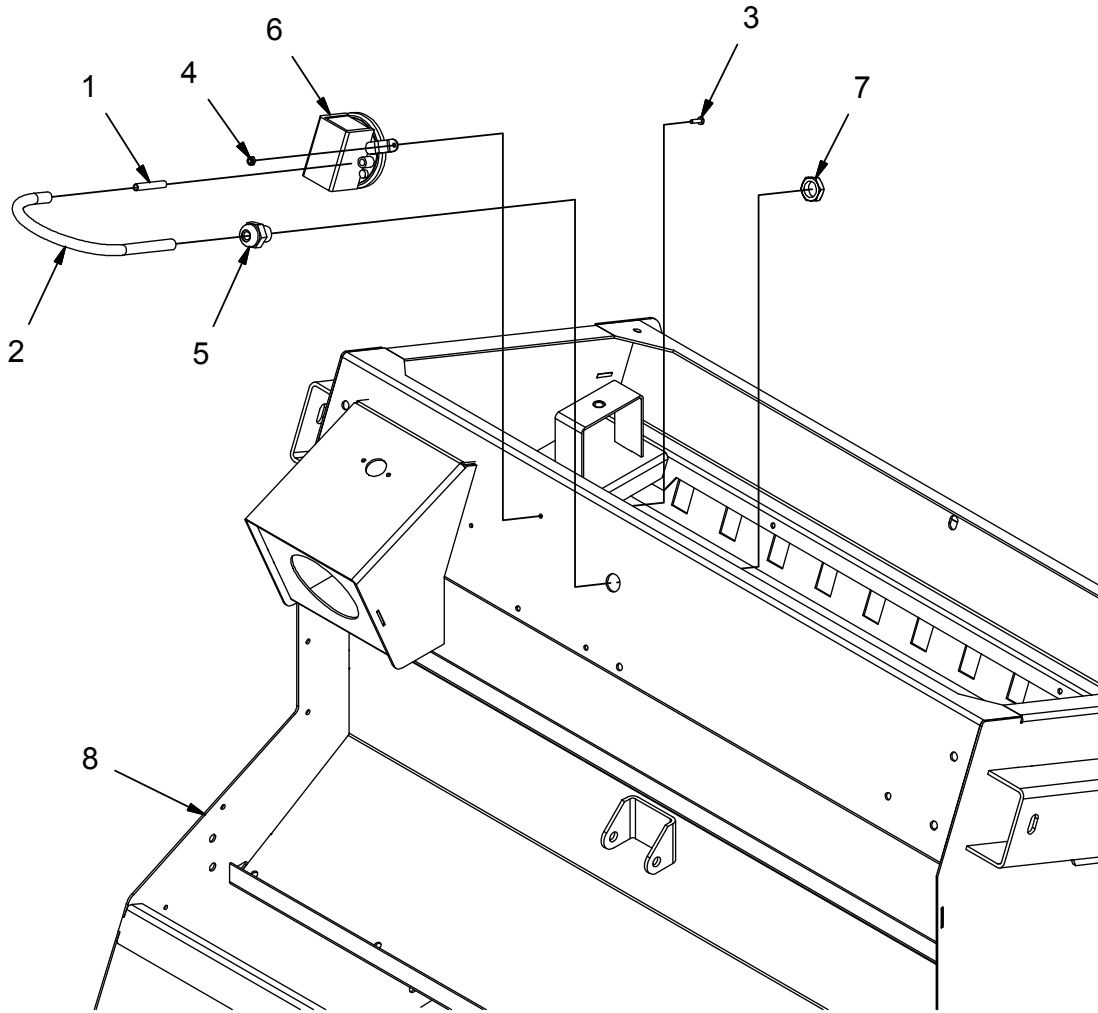


REV A

OPTION - SAFETY LIGHT, AMBER FLASHING LIGHT ENG CVR GROUP (600012)

Parts List			
ITEM	PART NUMBER	QTY	DESCRIPTION
1	12040044	2	NUT, M6-1.00 ESN
2	170033	1	HEYCO BUSHING, .50X.625X.56
3	600896	1	MOUNT, SAFETY LIGHTS
4	600913	2	BOLT, M6-100 X 20 HH SS
5	620160	1	GROMMET, 1.00 ID .1.375 OD .25 T
6	748917	1	HARNESS, SAFETY LIGHT, ENG COV
7	748920	1	ASSEMBLY, AMBER FLASHING LIGHT
8	PART OF 748920	2	STAR WASHER
9	PART OF 748920	2	NUT, EXPANSION
10	PART OF 748920	2	SCREW
11	REF	-	ENGINE COVER
12	REF.	-	COVER FRAME
-	748947	1	QC7, WIRE JUNCTION

OPTION - CLOGGED FILTER INDICATOR GROUP (600013)

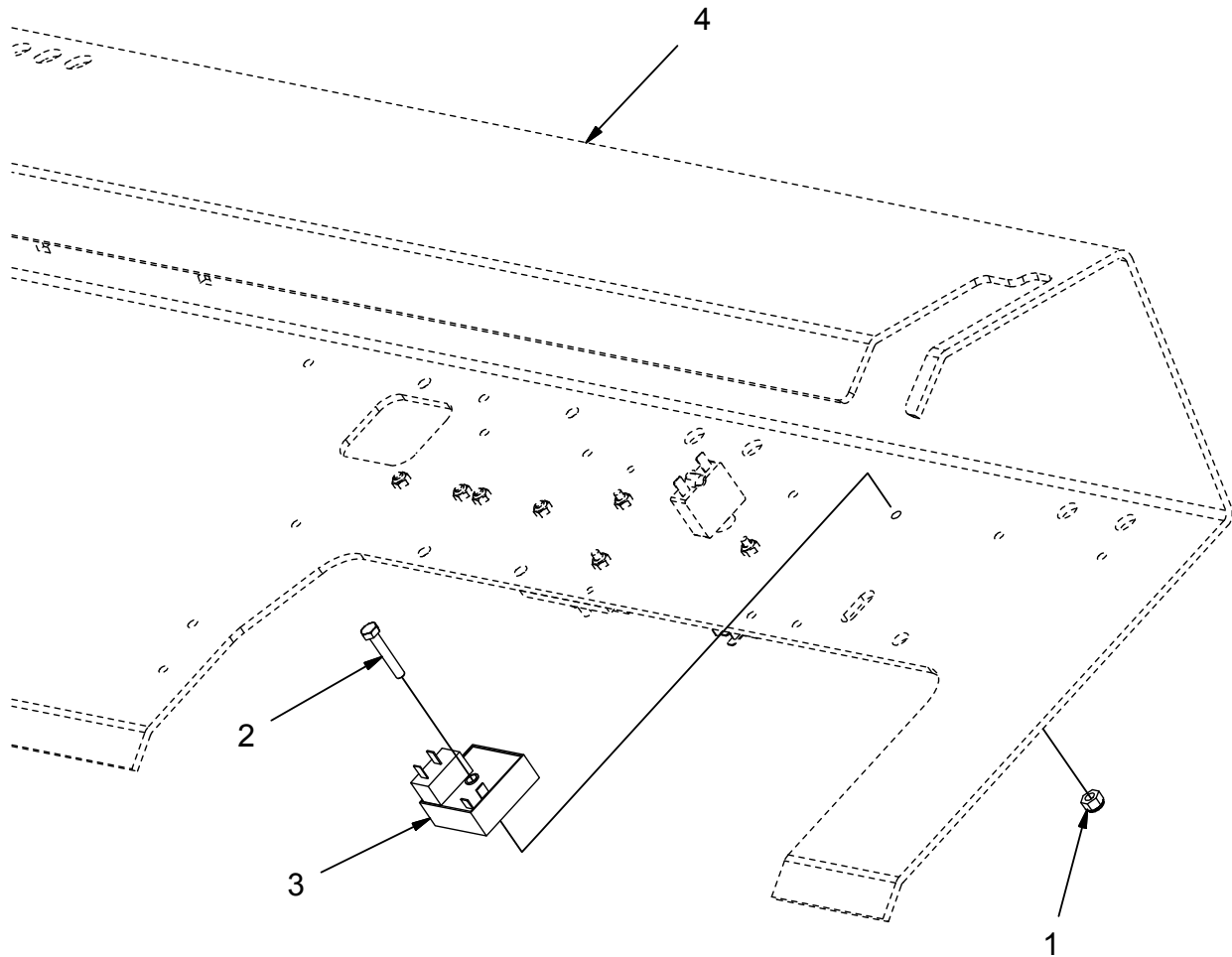


REV B

OPTION - CLOGGED FILTER INDICATOR GROUP (600013)

Parts List			
ITEM	PART NUMBER	QTY	DESCRIPTION
1	3303105	1	NIPPLE, 1/8 NPT X 2.00
2	3339636	1	HOSE, VACUUM
3	3400045	2	SCREW, #8-32 X .625 PAN HD ZP
4	3400082	2	NUT, FIBER INSERT #8-32
5	600482	1	STRAIN RELIEF
6	620158	1	SWITCH, VACUUM
7	PART OF 600482	1	NUT, PLASTIC
8	REF	-	HOPPER
-	748948	1	QC8, WIRE JUNCTION

OPTION - FILTER SHAKER TIMER GROUP (600014)

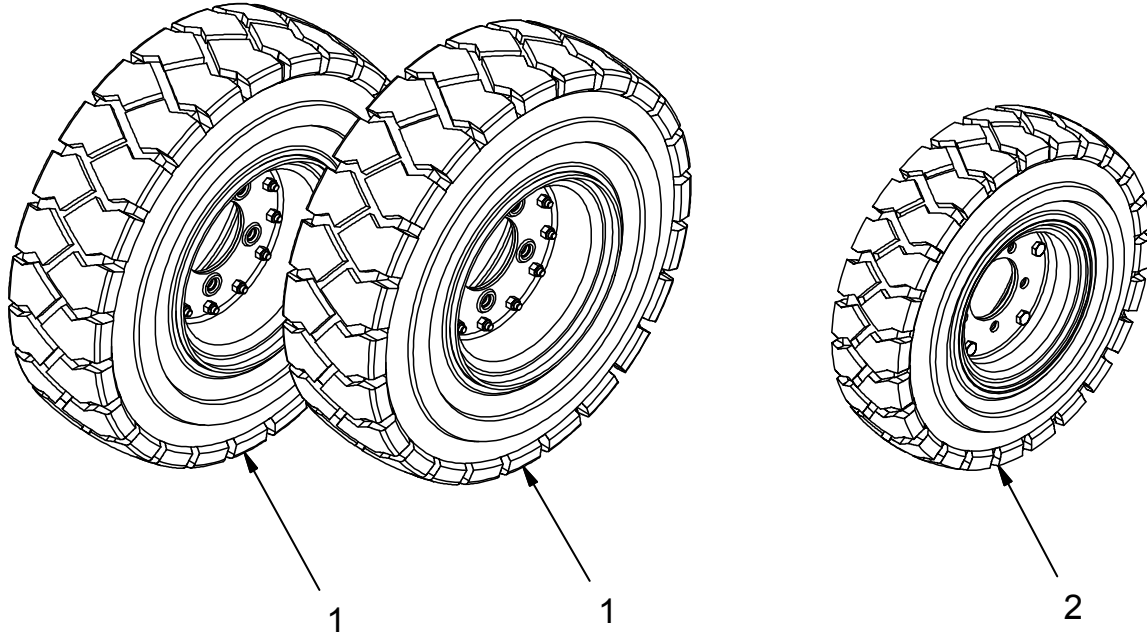


REV A

OPTION - FILTER SHAKER TIMER GROUP (600014)

Parts List			
ITEM	PART NUMBER	QTY	DESCRIPTION
1	12040044	1	NUT, M6-1.00 ESN
2	600952	1	BOLT, M6-1.00 X 35 HH
3	748912	1	TIMER
-	748907	1	WIRE ASSEMBLY, SHAKER TIMER OPTION
4	REF	-	FRAME

OPTION - TIRE, ALL SOFT SHOE SOLID GROUP (600015)

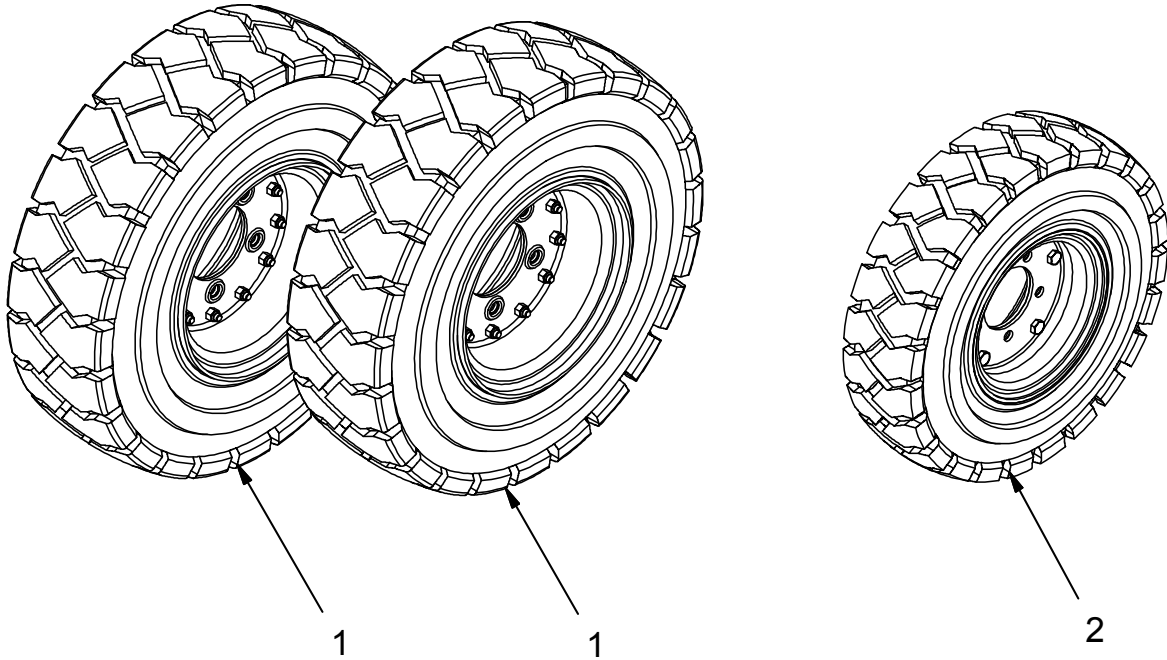


REV *

OPTION - TIRE, ALL SOFT SHOE SOLID GROUP (600015)

Parts List			
ITEM	PART NUMBER	QTY	DESCRIPTION
1	620099	2	ASSEMBLY, 650-10 SOFT SHOE SOLID FRONT TIRE
-	620100	-	REPLACEMENT TIRE, FRONT, SOFT SHOE SOLID
2	620093	1	ASSEMBLY, 500-8 SOFT SHOE SOLID REAR TIRE
-	620094	-	REPLACEMENT TIRE, REAR, SOFT SHOE SOLID

OPTION - TIRE, FRONT SOFT SHOE SOLID, REAR PNEUMATIC GROUP (600016)

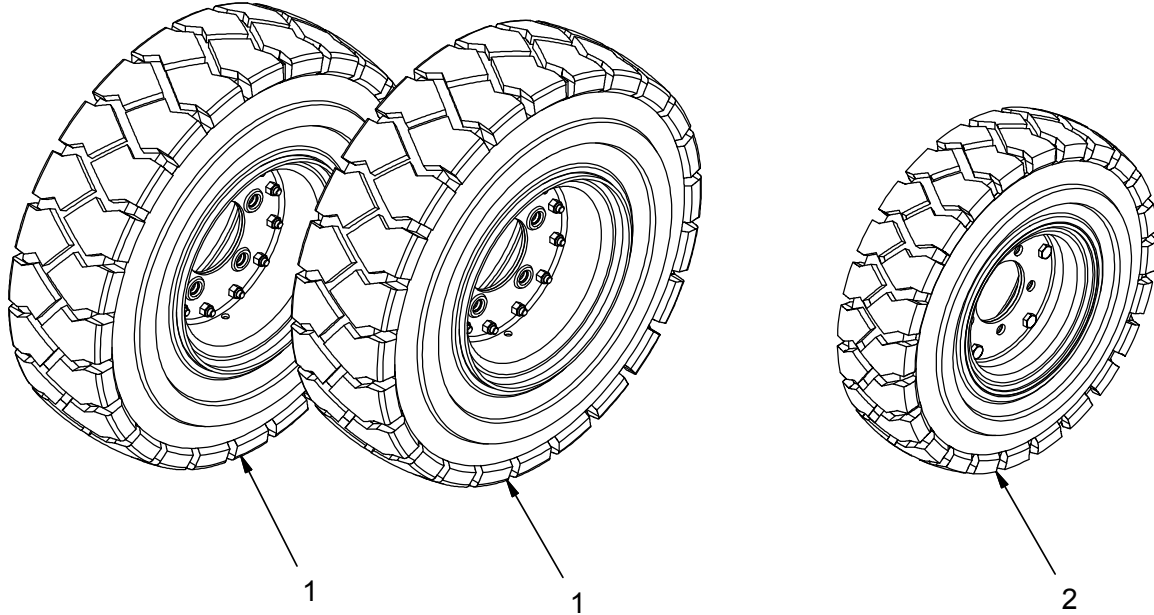


REV *

OPTION - TIRE, FRONT SOFT SHOE SOLID, REAR PNEUMATIC GROUP (600016)

Parts List			
ITEM	PART NUMBER	QTY	DESCRIPTION
1	620099	2	ASSEMBLY, 650-10 SOFT SHOE SOLID FRONT TIRE
-	620100	-	REPLACEMENT TIRE, FRONT, SOFT SHOE SOLID
2	600388	1	ASSEMBLY, 500-8 PNEUMATIC REAR TIRE
-	600336	-	REPLACEMENT TIRE, REAR, PNEUMATIC

OPTION - TIRE, ALL NON-MARKING SOLID GROUP (600017)

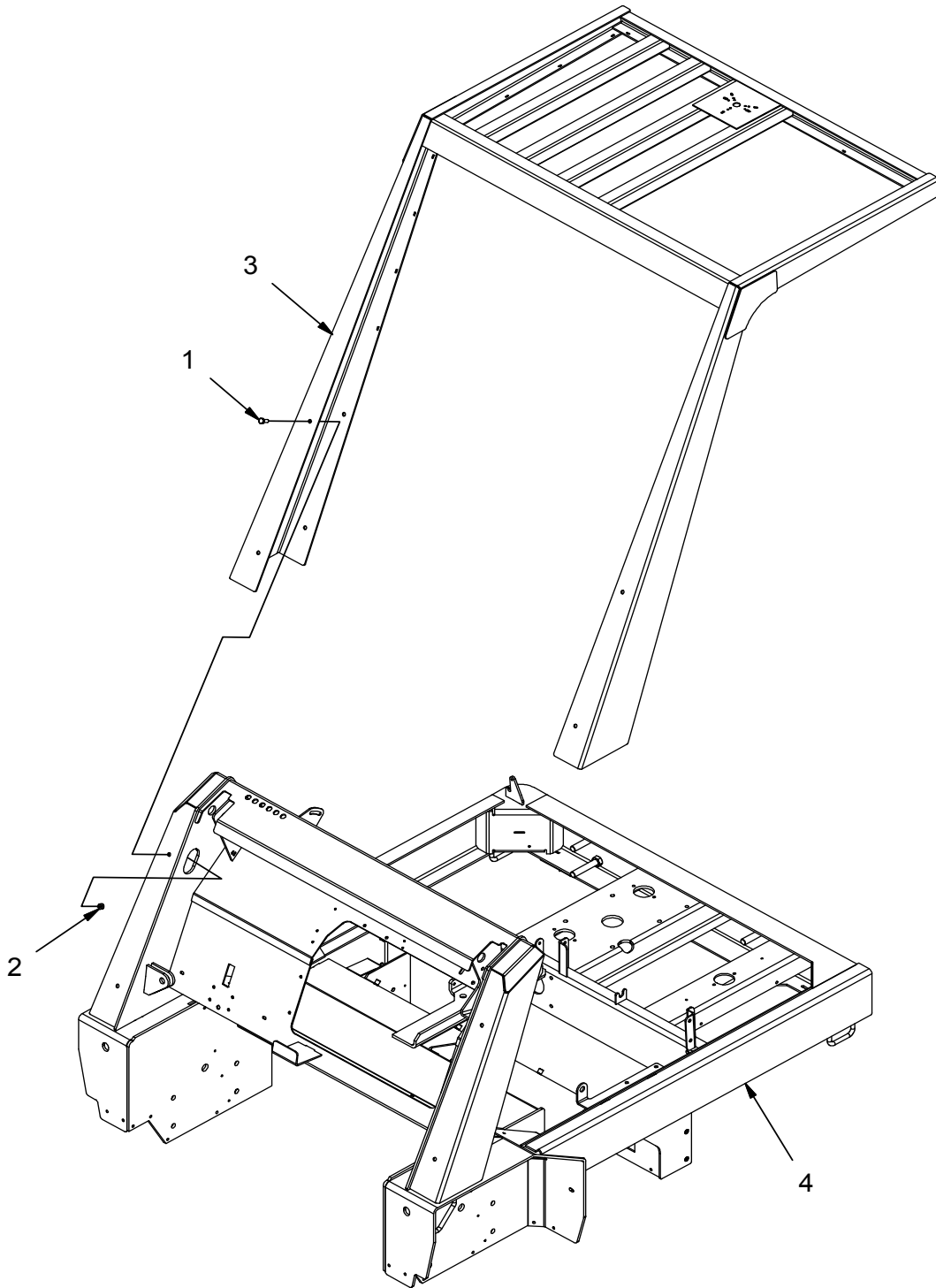


REV *

OPTION - TIRE, ALL NON-MARKING SOLID GROUP (600017)

Parts List			
ITEM	PART NUMBER	QTY	DESCRIPTION
1	620098	2	ASSEMBLY, TIRE, 650-10 SOLID NON-MARKING, FRONT
-	3307910	-	REPLACEMENT TIRE, FRONT, NON-MARKING
2	620095	1	ASSEMBLY, TIRE, 500-8 SOLID NON-MARKING, REAR
-	620096	-	REPLACEMENT TIRE, REAR, NON-MARKING

OPTION - OVERHEAD GUARD (OHG) GROUP (600019)

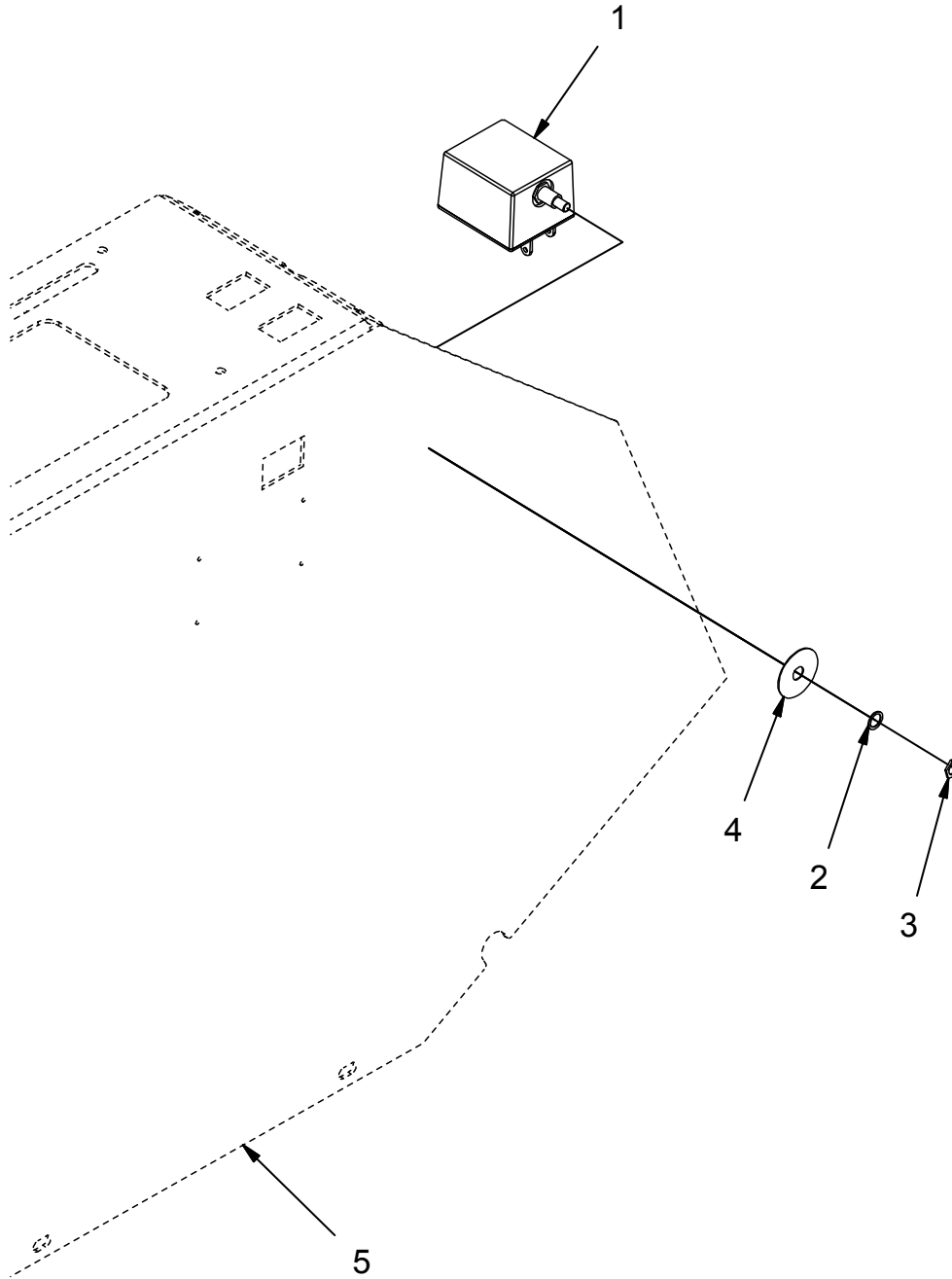


REV *

OPTION - OVERHEAD GUARD (OHG) GROUP (600019)

Parts List			
ITEM	PART NUMBER	QTY	DESCRIPTION
1	11038346	8	BOLT, M10-1.50 X 25 HH
2	12040069	8	NUT, M10-1.50 ESN
3	600887	1	WELDMENT, OHG
4	REF	-	FRAME

OPTION - AUTO DIESEL SHUTDOWN GROUP (600020)

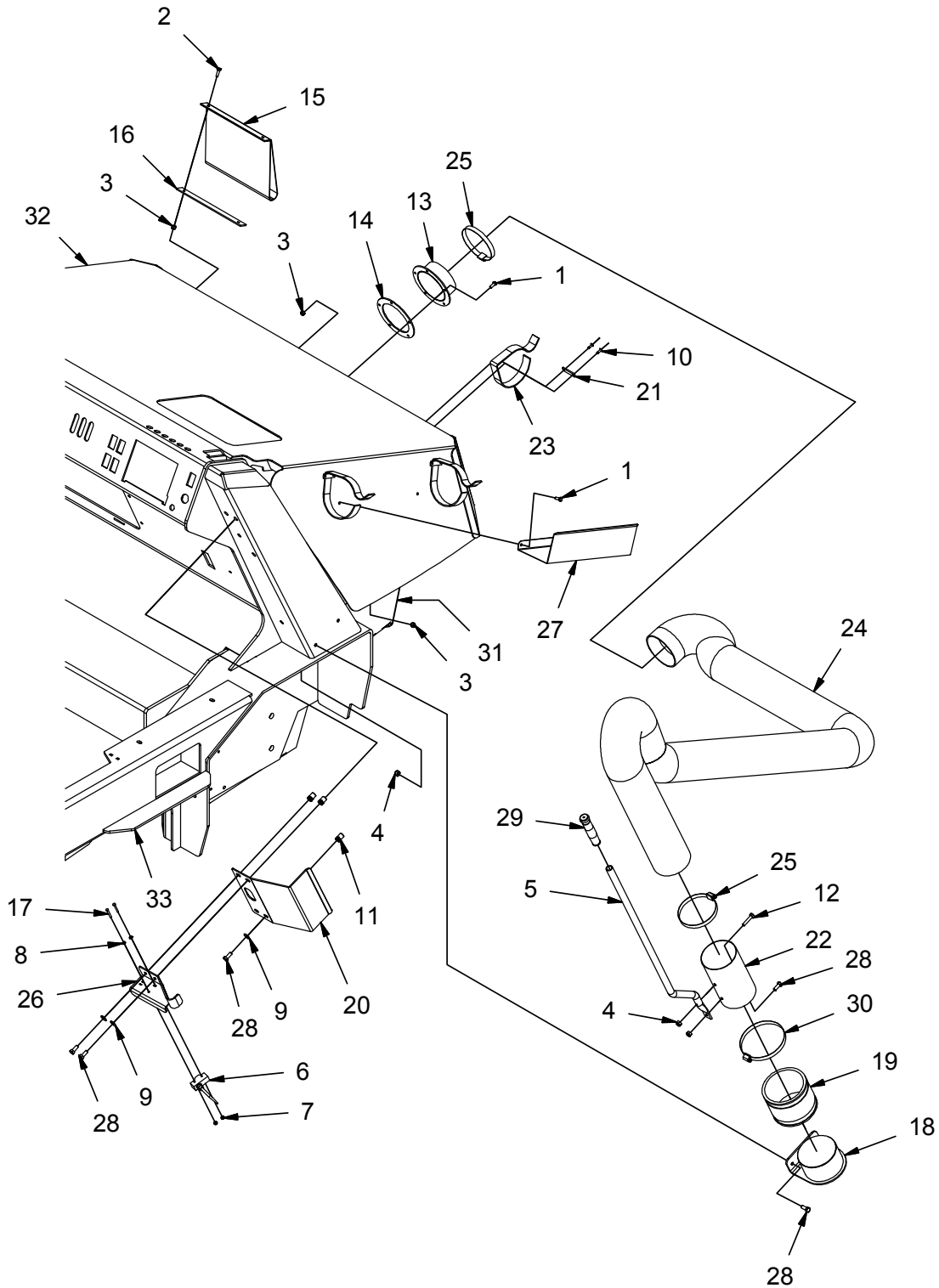


REV *

OPTION - AUTO DIESEL SHUTDOWN GROUP (600020)

Parts List 600020			
ITEM	PART NUMBER	QTY	DESCRIPTION
1	3316175	1	SWITCH, MURPHY SHUTDOWN ARMA
2	PART OF 3316175	1	LOCK WASHER
3	PART OF 3316175	1	NUT
4	PART OF 3316175	1	DECAL
-	748944	1	HARNESS, AUTO DIESEL SHUTDOWN
5	REF.	-	CONSOLE

OPTION - VACUUM WAND GROUP - PAGE 1 (600021)



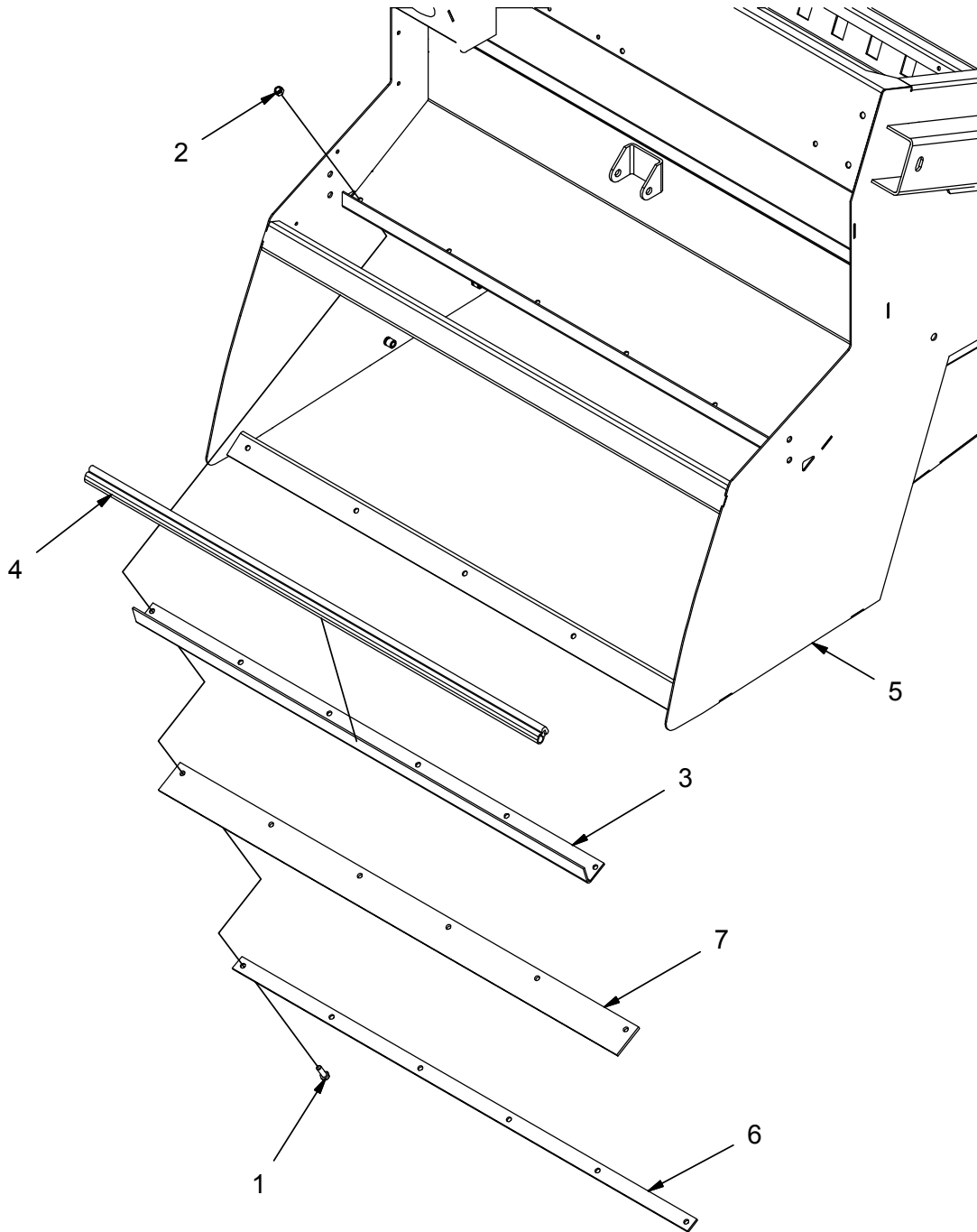
REV *

OPTION - VACUUM WAND GROUP - PAGE 1 (600021)

Parts List			
ITEM	PART NUMBER	QTY	DESCRIPTION
1	11038072	7	BOLT, M6-100 X 16 HH
2	11038098	2	BOLT, M6-100 X 20 HH
3	12040044	9	NUT, M6-1.00 ESN
4	12040051	4	NUT, M8-1.25 ESN
5	3339586	1	HOSE, VAC WAND
6	3342546	1	SWITCH, WHISKER
7	3400082	2	NUT, FIBER INSERT #8-32
8	3400096	2	FLATWASHER, #8
9	3400384	3	WASHER, 5/16 BELLEVILLE
10	3400484	6	RIVET, MULTI-GRIP
11	600852	3	M8-1.25 INSERT, .188 GRIP
12	600918	1	BOLT, M8-125 X 35 HH
13	620113	1	WELDMENT, VAC CONNECT
14	620116	1	GASKET, VAC CONNECT
15	620117	1	SHIELD, DIRT
16	620118	1	RETAINER, SHIELD
17	620136	2	BOLT, #8-32 X 1.25 HH ZP
18	620149	1	WELDMENT, WAND MNT
19	620153	1	TUBE, WAND END
20	620220	1	CRADLE, HOSE
21	620172	3	RETAINER,VELCRO
22	620173	1	TUBE, VAC WAND
23	620174	3	STRAP, VELCRO
24	620175	1	HOSE, VACUUM, 4"
25	620176	2	CLAMP, HOSE, 4"
26	620187	1	WELDMENT, VACUUM WAND RETAINER
27	620210	1	CHANNEL, HOSE
28	717024	6	BOLT, M8-1.25 X 20 HH
29	78-71-A	1	GRIP, HANDLE, BLACK
30	PART OF 620153	1	CLAMP, HOSE
31	REF.	-	HOPPER
32	REF.	-	HOPPER COVER
33	REF.	-	FRAME
-	748945	1	HARNESS

**OPTION GROUP (600021) - VACUUM WAND GROUP, INCLUDES:
600021 PAGE 1 & 600021 PAGE 2.**

OPTION - VACUUM WAND GROUP - PAGE 2 (600021)



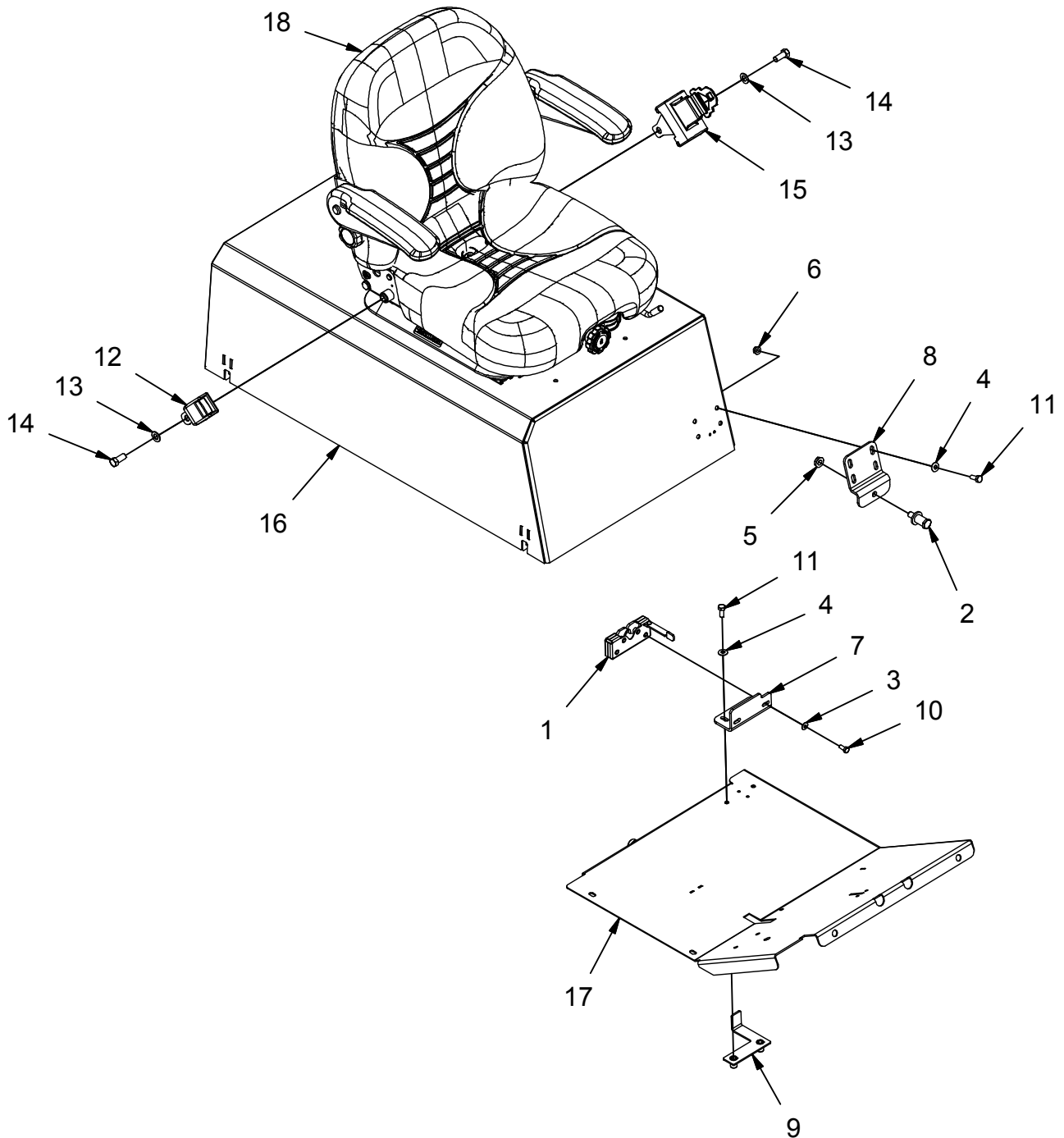
REV *

OPTION - VACUUM WAND GROUP - PAGE 2 (600021)

Parts List			
ITEM	PART NUMBER	QTY	DESCRIPTION
1	11038247	6	BLT-HH M8-125 X 25 STL ZINC
2	12040259	6	NUT, M8-1.25 ESN SS
3	620185	1	ANGLE, SEAL MNT
4	620186	1	EDGING, DUMP DOOR
5	REF.	-	HOPPER
6	REF.	-	RETAINER, DOOR BAR SEAL
7	REF.	-	SEAL, DUMP DOOR BAR

**OPTION GROUP (600021) - VACUUM WAND GROUP, INCLUDES:
600021 PAGE 1 & 600021 PAGE 2.**

OPTION - SEAT BELT, SUSPENSION SEAT GROUP (600022)

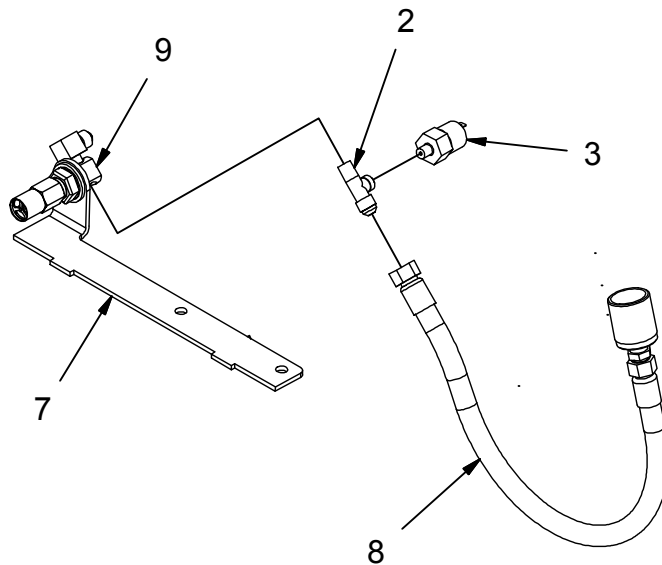
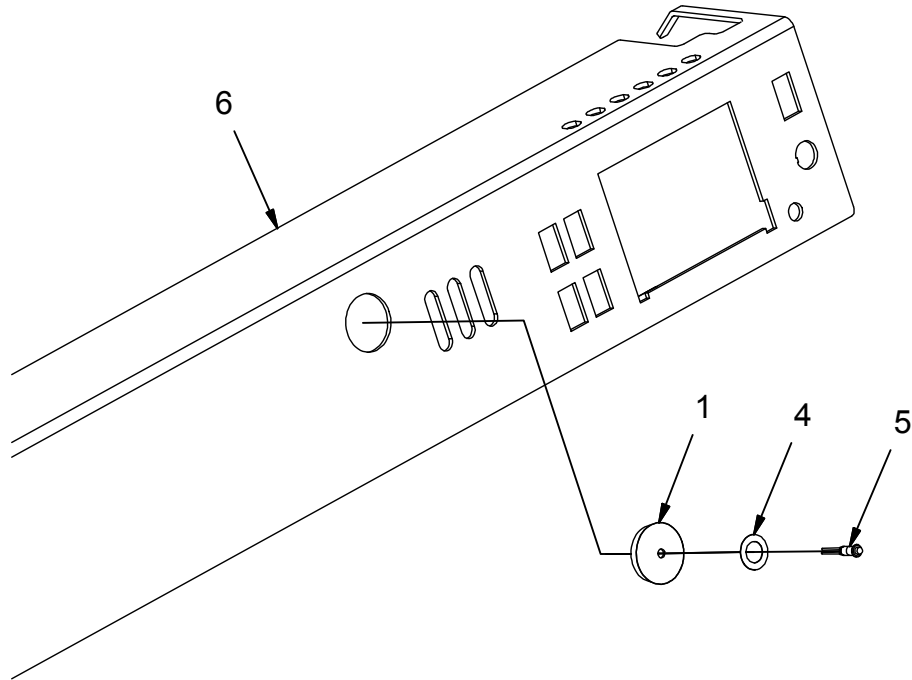


REV *

OPTION - SEAT BELT, SUSPENSION SEAT GROUP (600022)

Parts List			
ITEM	PART NUMBER	QTY	DESCRIPTION
1	3307246	1	LATCH, LH
2	3307248	1	STRIKER-LATCH
3	3400383	2	WASHER, 1/4 BELLEVILLE
4	3400384	6	WASHER, 5/16 BELLEVILLE
5	3400394	1	NUT, 7/16-14 FLNG
6	600934	4	NUT, M8-1.25 FLNG
7	620193	1	BRACKET, LATCH
8	620194	1	BRACKET, STRIKER
9	620216-1	1	ASSEMBLY, NUT PLATE
10	713001	2	SCREW, 1/4-20 X .625 HHC
11	717024	6	BOLT, M8-1.25 X 20 HH
12	PART OF 620192	1	SEAT BELT, RECEIVER
13	PART OF 620192	2	7/16 FLAT WASHER
14	PART OF 620192	2	BOLT, 7/16-20 x 1.00
15	PART OF 620192	1	SEAT BELT, RETRACTOR
16	REF.	1	PUMP COVER
17	REF.	-	FLOOR
18	REF.	-	SEAT, SUSPENSION

OPTION - LOW LPG INDICATOR GROUP (600023)

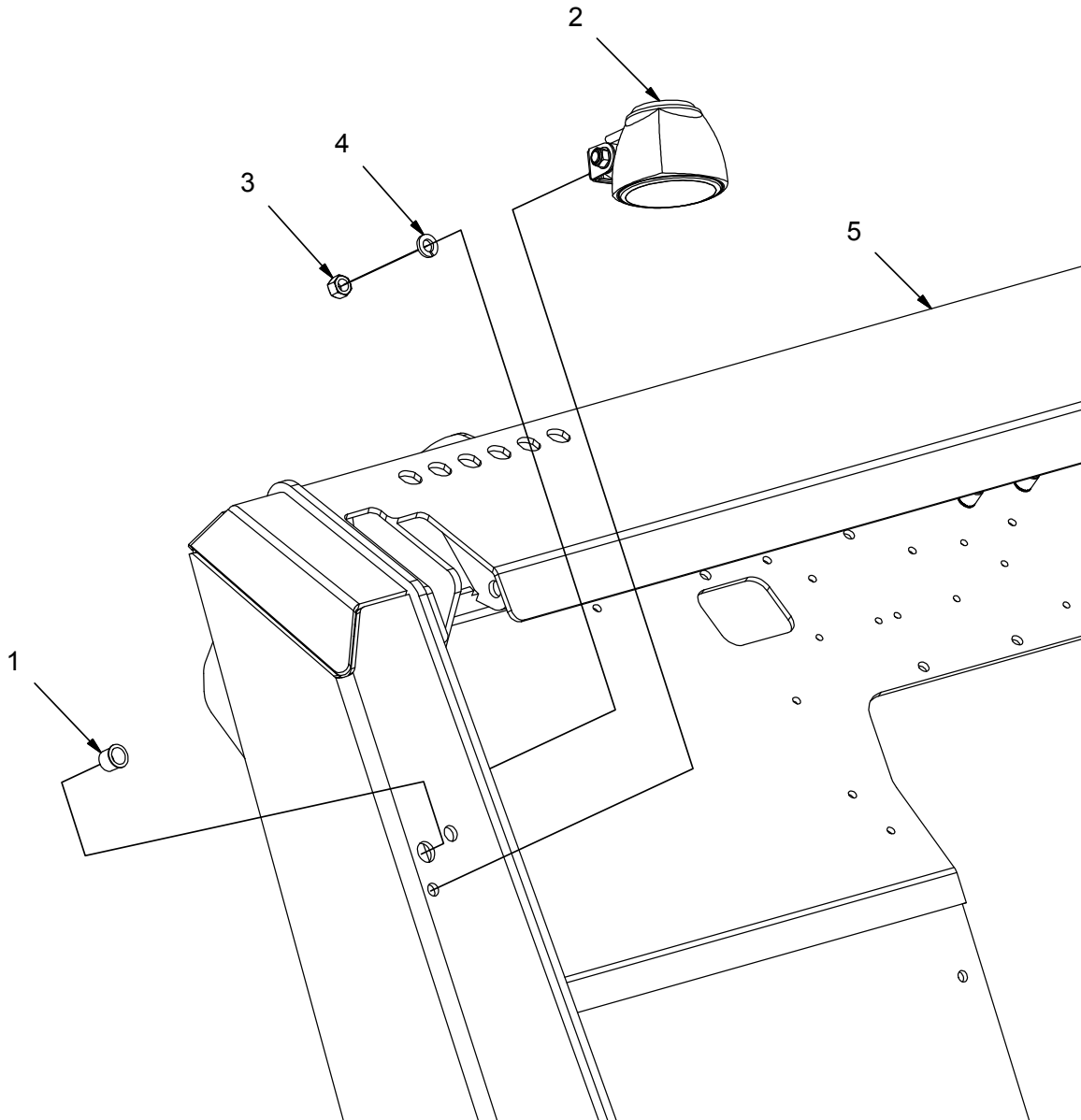


REV A

OPTION - LOW LEVEL INDICATOR GROUP (600023)

Parts List			
ITEM	PART NUMBER	QTY	DESCRIPTION
1	3301822-1	1	PLUG, PLASTIC, WITH MTG HOLE
2	3305535-2	1	TEE, BRASS
3	3305535-3	1	LP INDICATOR SENSOR
4	3305535-4	1	LPG LABEL
5	748960	1	ASSY, INDICATOR LAMP, LO LP
6	REF.	-	FRAME
7	REF.	-	FRAME
8	REF.	-	LP TANK HOSE
9	REF.	-	RELIEF VALVE MOUNT
-	748940	1	WIRE ASSY, LO LP INDICATOR

OPTION - SIDE BROOM LIGHT GROUP (600025)

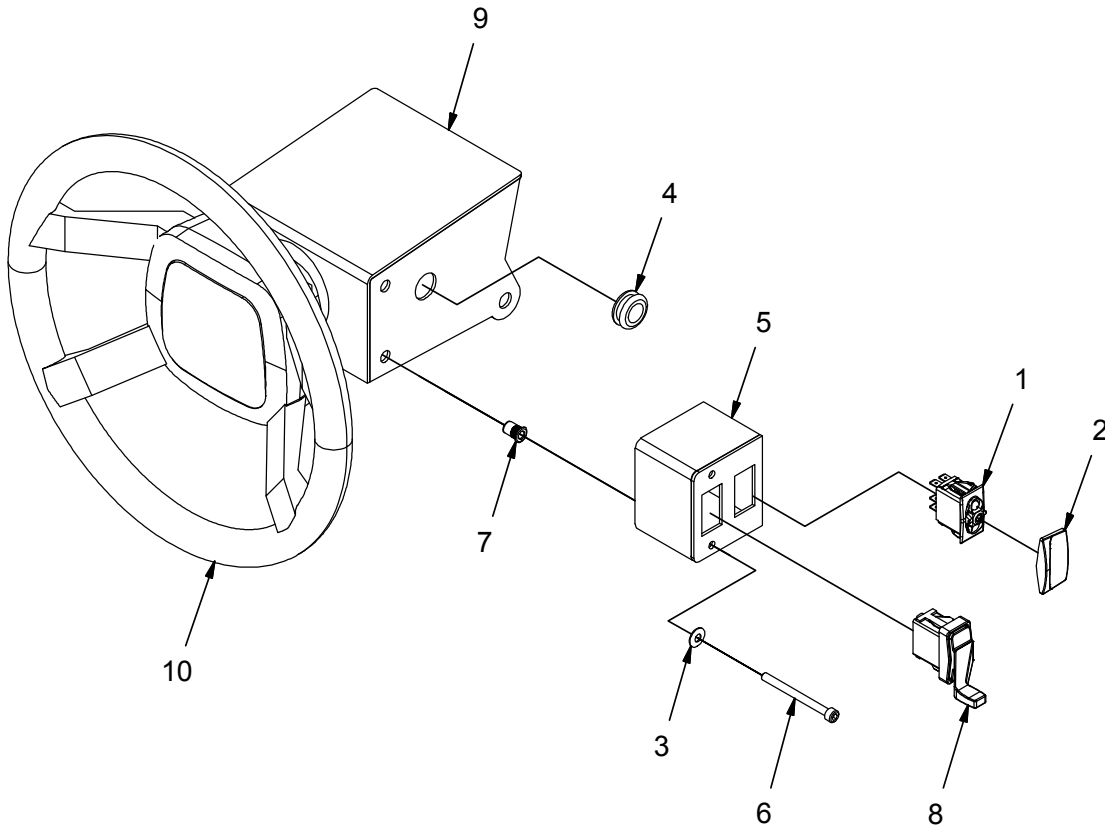


REV A

OPTION - SIDE BROOM LIGHT GROUP (600025)

Parts List			
ITEM	PART NUMBER	QTY	DESCRIPTION
1	170033	1	HEYCO BUSHING, .50X.625X.56
2	620209-1	1	ASSEMBLY, HEADLIGHT, 12VDC
3	PART OF 620209	1	NUT, HEX 3/8-16
4	PART OF 620209	1	LOCK WASHER, 3/8
5	REF.	-	FRAME
-	748941	1	HARNESS

OPTION - TURN SIGNAL AND 4 WAY FLASHER GROUP - PAGE 1 (600026)



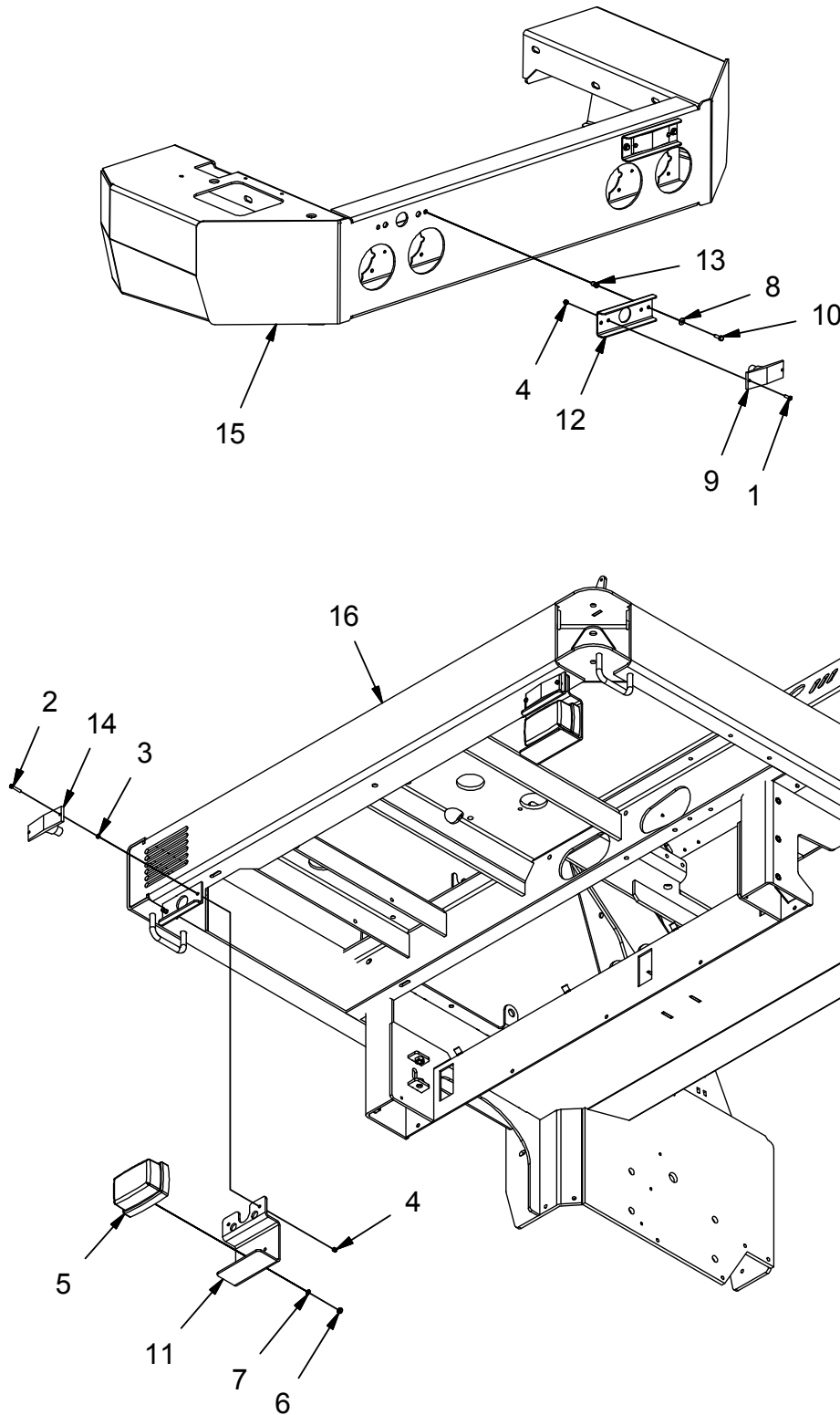
REV *

OPTION - TURN SIGNAL AND 4 WAY FLASHER GROUP - PAGE 1 (600026)

Parts List			
ITEM	PART NUMBER	QTY	DESCRIPTION
1	3342705	1	SWITCH, DPST
2	3344038	1	SWITCH CAP
3	3400383	2	WASHER, 1/4 BELLEVILLE
4	600151	1	GROMMET, .63 ID .88 OD .25 T
5	620183	1	WELDMENT, TURN SIGNAL SWITCH MNT
6	620184	2	BOLT, M6-1.00 X 70 AHCS ZP
7	620190	2	M6-1.00 INSERT, .165 GRIP
8	620208	1	SWITCH, TURN SIGNAL
9	REF.	-	STEERING MNT
10	REF.	-	STEERING WHEEL
-	748942	1	HARNES

**OPTION GROUP (600026) - TURN SIGNAL AND 4 WAY FLASHER GROUP, INCLUDES:
600026 PAGE 1 & 600026 PAGE 2.**

OPTION - TURN SIGNAL AND 4 WAY FLASHER GROUP - PAGE 2 (600026)



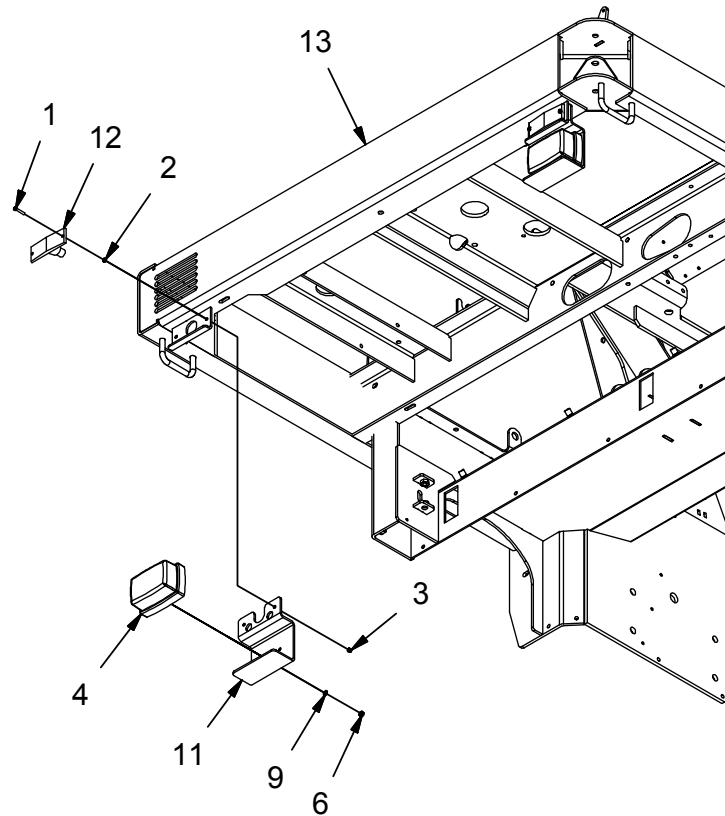
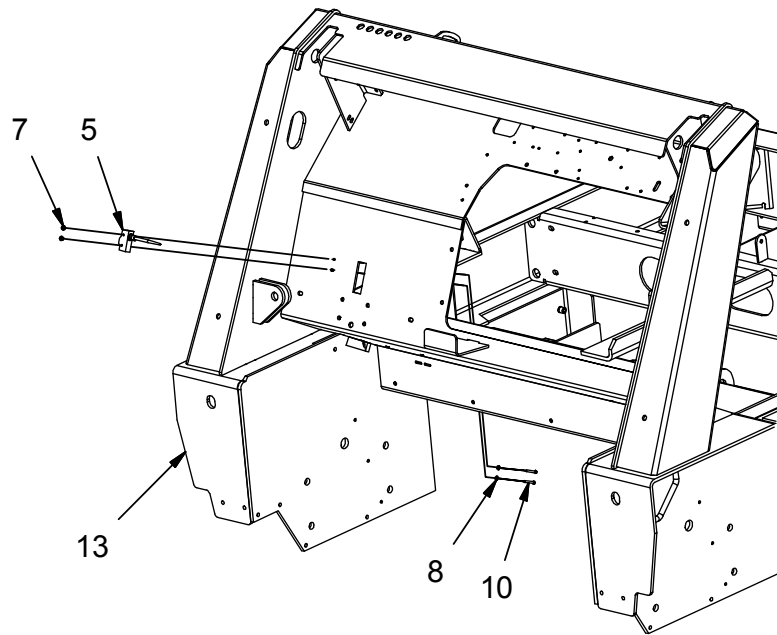
REV *

OPTION - TURN SIGNAL AND 4 WAY FLASHER GROUP - PAGE 2 (600026)

Parts List			
ITEM	PART NUMBER	QTY	DESCRIPTION
1	11038049	4	BOLT, M5-0.8 X 16 HHB
2	11039765	4	BOLT, M5-0.8 X 30 HHB
3	12022430	4	NUT, HEX, M5 - 0.8
4	12040036	8	NUT, M5 - 0.8 ESN
5	3303204	2	LIGHT, TAIL, 12V, COMBINATION
6	3400071	4	NUT, HEX, 1/4-20 ZP
7	3400103	4	LOCK WASHER, 1/4 HS MED
8	3400383	4	WASHER, 1/4 BELLEVILLE
9	600514	2	TAIL LIGHT
10	600913	4	BOLT, M6-100 X 20 HH SS
11	620161	2	BRACKET, REAR AUX LIGHT MNT
12	620180	2	CHANNEL, FRONT AUX LIGHT MNT
13	620190	4	M6-1.00 INSERT, .165 GRIP
14	REF	-	TAIL LIGHT
15	REF.	-	FRONT BUMPER
16	REF.	-	FRAME

**OPTION GROUP (600026) - TURN SIGNAL AND 4 WAY FLASHER GROUP, INCLUDES:
600026 PAGE 1 & 600026 PAGE 2.**

OPTION - BRAKE LIGHTS GROUP (600027)

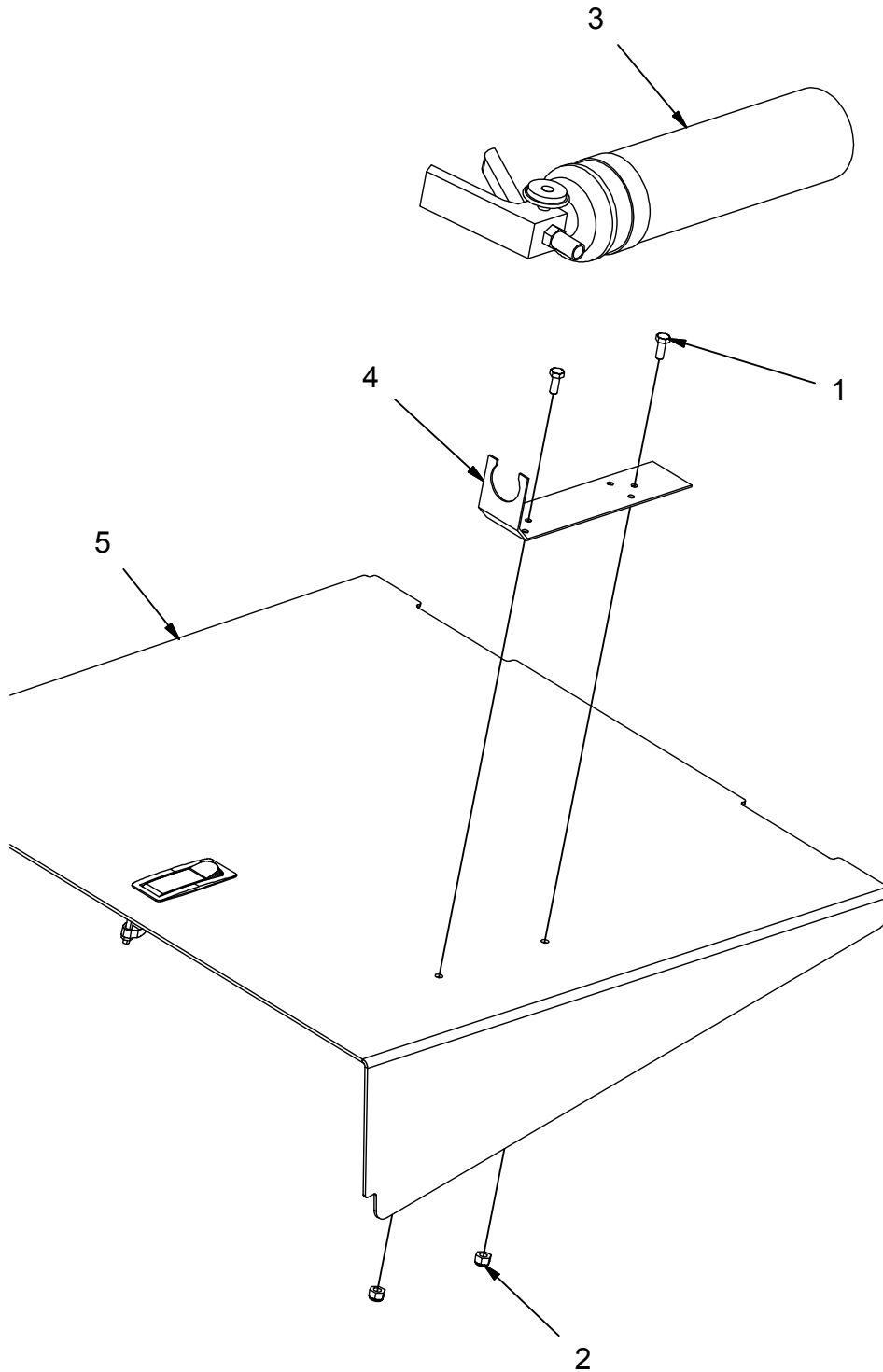


REV *

OPTION - BRAKE LIGHTS GROUP (600027)

Parts List			
ITEM	PART NUMBER	QTY	DESCRIPTION
1	11039765	4	BOLT, M5-0.8 X 30 HHB
2	12022430	4	NUT, HEX, M5 - 0.8
3	12040036	4	NUT, M5 - 0.8 ESN
4	3303204	2	LIGHT, TAIL, 12V, COMBINATION
5	3342546	1	SWITCH, WHISKER
6	3400071	4	NUT, HEX, 1/4-20 ZP
7	3400082	2	NUT, FIBER INSERT #8-32
8	3400096	2	FLATWASHER, #8
9	3400103	4	LOCK WASHER, 1/4 HS MED
10	620136	2	BOLT, #8-32 X 1.25 HH ZP
11	620161	2	BRACKET, REAR AUX LIGHT MNT
12	REF.	-	TAIL LIGHT
13	REF.	-	FRAME

OPTION - FIRE EXTINGUISHER GROUP (600028)

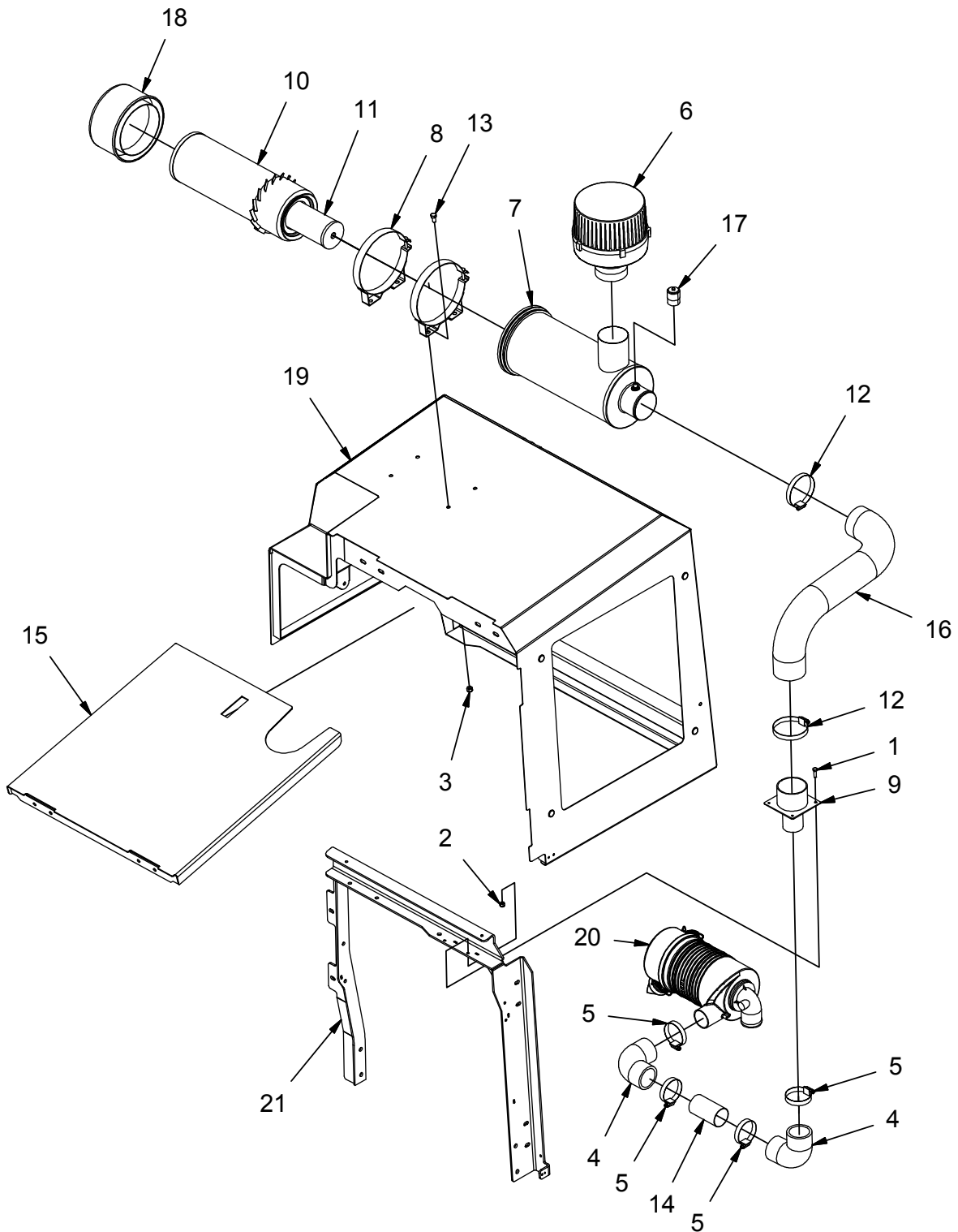


REV *

OPTION - FIRE EXTINGUISHER GROUP (600028)

Parts List			
ITEM	PART NUMBER	QTY	DESCRIPTION
1	11132065	2	BOLT, M6-100 X 16 HH
2	12040044	2	NUT, M6-1.00 ESN
3	3302769	1	FIRE EXTINGUISHER
4	PART OF 3302769	-	MOUNT, EXTINGUISHER
5	REF.	-	TOP COVER

OPTION - HEAVY DUTY AIR CLEANER GROUP - DIESEL (600029)

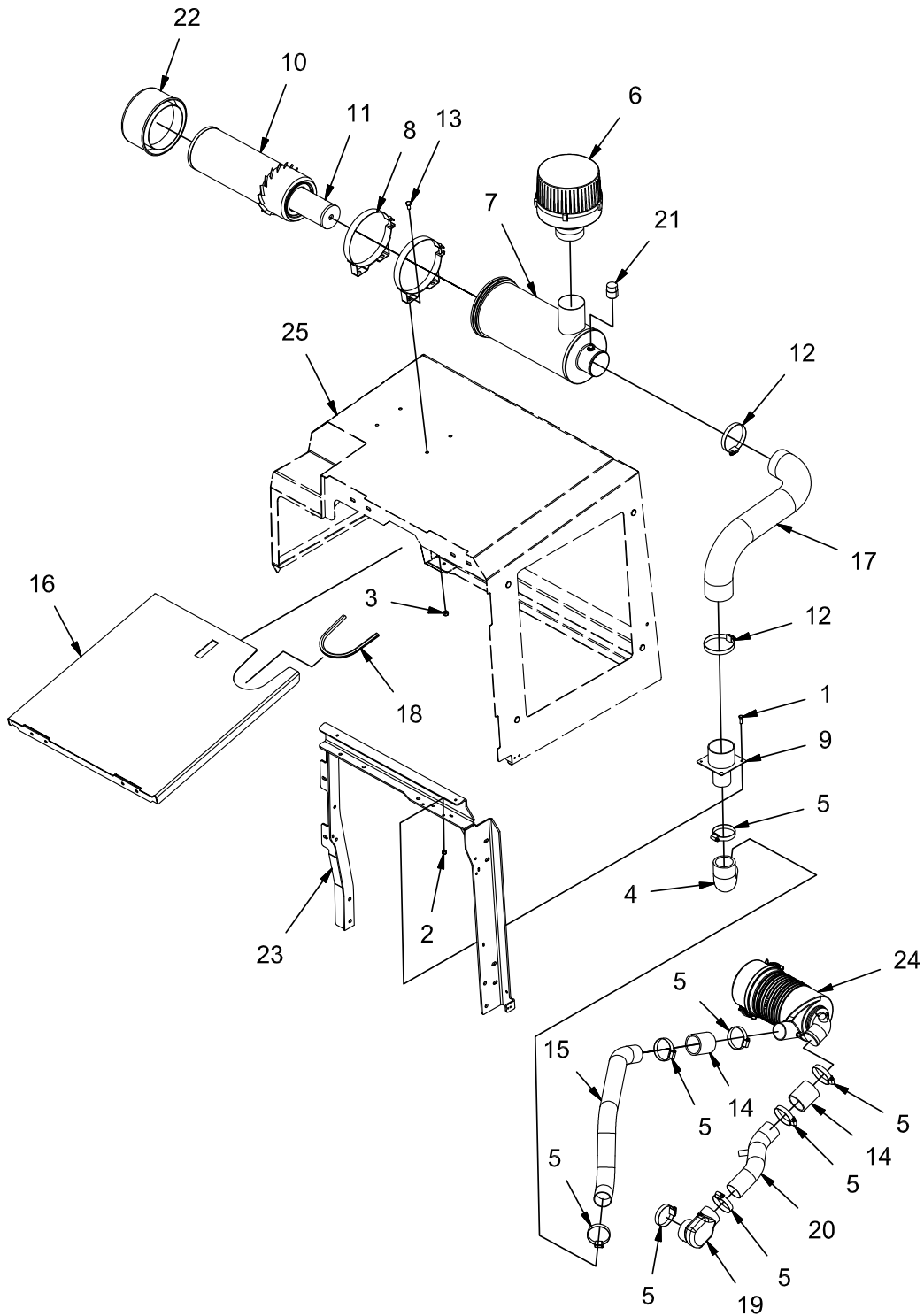


REV A

OPTION - HEAVY DUTY AIR CLEANER GROUP - DIESEL (600029)

Parts List			
ITEM	PART NUMBER	QTY	DESCRIPTION
1	11038098	2	BOLT, M6-100 X 20 HH
2	12040044	2	NUT, M6-1.00 ESN
3	12040051	4	NUT, M8-1.25 ESN
4	3300396	2	ADAPTER, 2" 90
5	3312189	4	CLAMP, HOSE, 2.00
6	3331035	1	PRE-CLEANER
7	3331036	1	HEAVY DUTY AIR CLEANER (WITH FILTER ELEMENT)
8	3331037	2	MOUNT, AIR CLEANER
9	3332508-HA	1	AIR CONNECTOR, 2" - 3"
10	3337852	-	REPLACEMENT FILTER ELEMENT, PRIMARY
11	3337853	-	REPLACEMENT FILTER ELEMENT, SECONDARY
12	3343273	2	CLAMP, HOSE, 3.0 - 3.50
13	3400291	4	BOLT, M8-1.25 X 16 HH
14	620165	1	TUBE, HD AIR INTAKE, DIESEL
15	620166	1	WELDMENT, TOP COVER HD AIR CLEANER
16	620167	1	HOSE, AIR INTAKE, 3"
17	PART OF 3331036	1	INDICATOR, FLTR SERVICE
18	PART OF 3331036	1	CAP, AIR CLEANER
19	REF.	-	ENGINE COVER
20	REF.	-	AIR CLEANER
21	REF.	-	COVER FRAME

OPTION - HEAVY DUTY AIR CLEANER GROUP - GAS (600038)

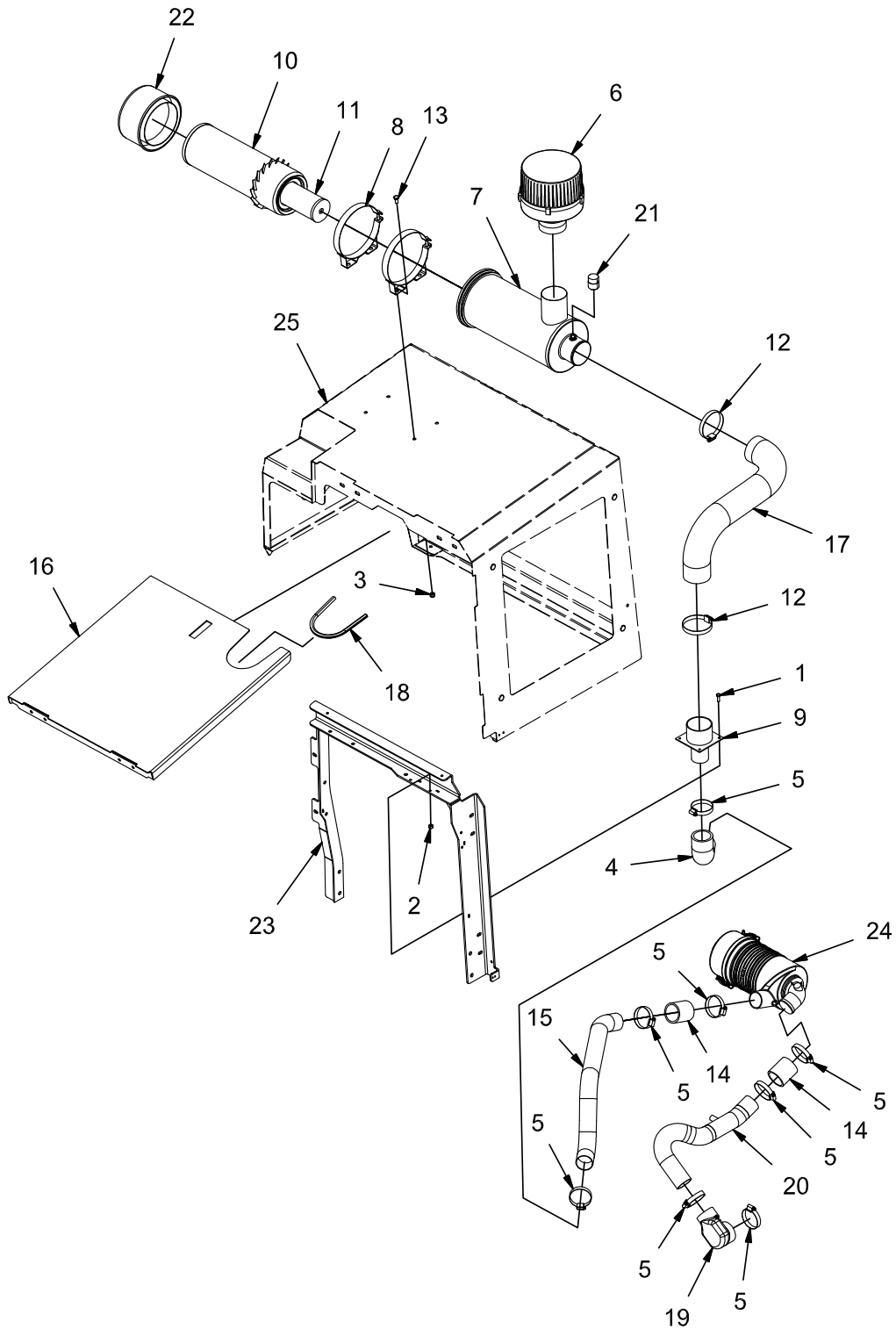


REV *

OPTION - HEAVY DUTY AIR CLEANER GROUP - GAS (600038)

Parts List 600038			
ITEM	PART NUMBER	QTY	DESCRIPTION
1	11038098	2	BOLT, M6-100 X 20 HH
2	12040044	2	NUT, M6-1.00 ESN
3	12040051	4	NUT, M8-1.25 ESN
4	3300396	1	ADAPTER, 2" 90
5	3312189	8	CLAMP, HOSE, 2.00
6	3331035	1	PRE-CLEANER
7	3331036	1	HEAVY DUTY AIR CLEANER (WITH FILTER ELEMENTS)
8	3331037	2	MOUNT, AIR CLEANER
9	3332508-HA	1	AIR CONNECTOR, 2" - 3"
10	3337852	-	REPLACEMENT FILTER ELEMENT, PRIMARY
11	3337853	-	REPLACEMENT FILTER ELEMENT, SECONDARY
12	3343273	2	CLAMP, HOSE, 3.0 - 3.50
13	3400291	4	BOLT, M8-1.25 X 16 HH
14	600580	2	HOSE, 2.00 X 2.50
15	620164	1	TUBE, HD AIR INTAKE
16	620166	1	WELDMENT, TOP COVER HD AIR CLEANER
17	620167	1	HOSE, AIR INTAKE, 3"
18	620168	1	EDGING, .125 X 13.44
19	620662	1	COBRA AIR INTAKE
20	620685	1	WELDMENT, INTAKE TUBE, BODY, GAS
21	PART OF 3331036	1	INDICATOR, FLTR SERVICE
22	PART OF 3331036	1	CAP, AIR CLEANER
23	REF	-	COVER FRAME
24	REF	-	AIR CLEANER
25	REF.	-	WELDMENT, ENGINE COVER

OPTION - HEAVY DUTY AIR CLEANER GROUP - LPG (600039)

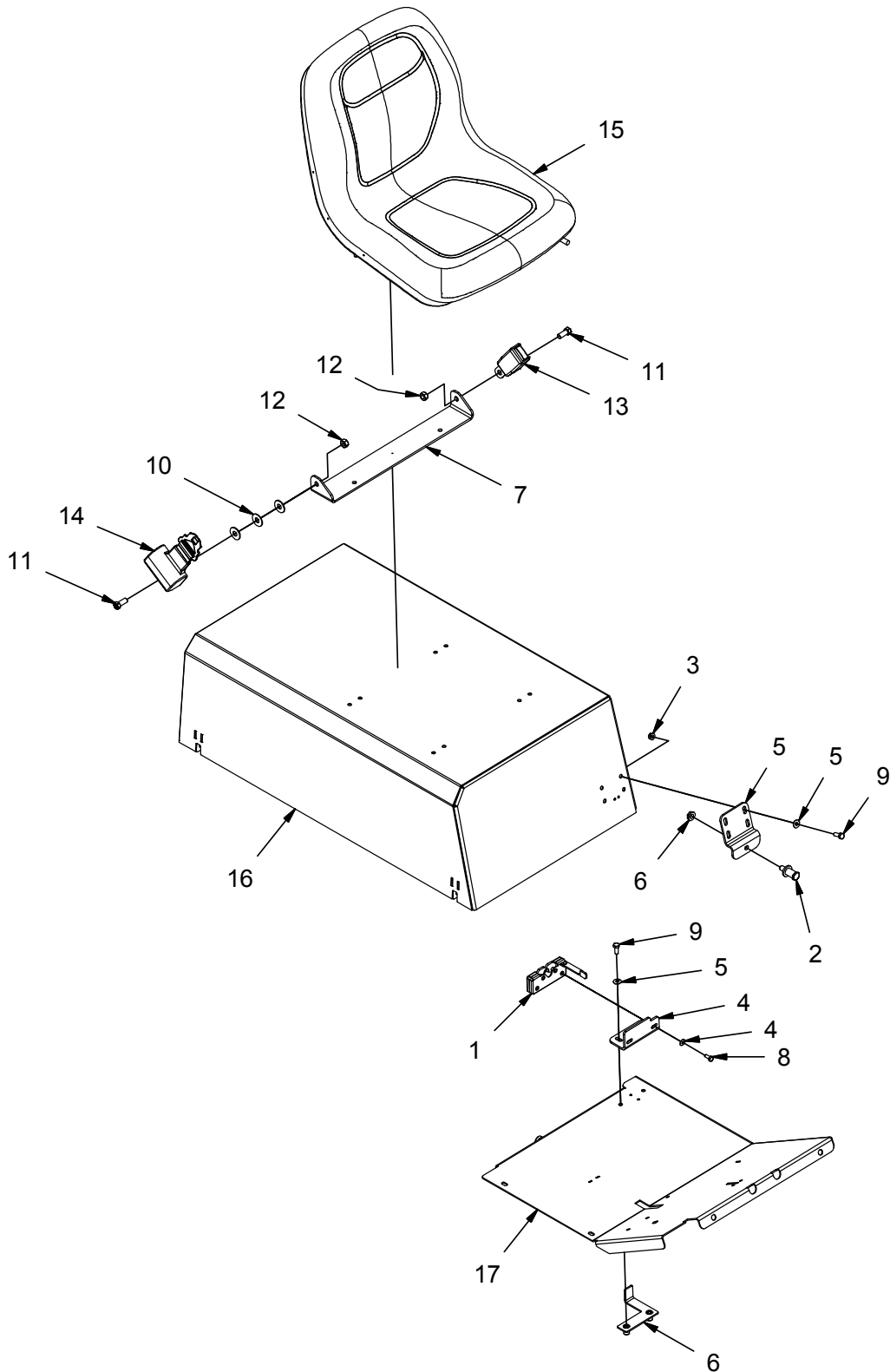


REV *

OPTION - HEAVY DUTY AIR CLEANER GROUP - LPG (600039)

Parts List 600039			
ITEM	PART NUMBER	QTY	DESCRIPTION
1	11038098	2	BOLT, M6-100 X 20 HH
2	12040044	2	NUT, M6-1.00 ESN
3	12040051	4	NUT, M8-1.25 ESN
4	3300396	1	ADAPTER, 2" 90
5	3312189	8	CLAMP, HOSE, 2.00
6	3331035	1	PRE-CLEANER
7	3331036	1	HEAVY DUTY AIR CLEANER (WITH FILTER ELEMENTS)
8	3331037	2	MOUNT, AIR CLEANER
9	3332508-HA	1	AIR CONNECTOR, 2" - 3"
10	3337852	-	REPLACEMENT FILTER ELEMENT, PRIMARY
11	3337853	-	REPLACEMENT FILTER ELEMENT, SECONDARY
12	3343273	2	CLAMP, HOSE, 3.0 - 3.50
13	3400291	4	BOLT, M8-1.25 X 16 HH
14	600580	2	HOSE, 2.00 X 2.50
15	620164	1	TUBE, HD AIR INTAKE
16	620166	1	WELDMENT, TOP COVER HD AIR CLEANER
17	620167	1	HOSE, AIR INTAKE, 3"
18	620168	1	EDGING, .125 X 13.44
19	620662	1	COBRA AIR INTAKE
20	620683	1	WELDMENT, INTAKE TUBE, LPG
21	PART OF 3331036	1	INDICATOR, FLTR SERVICE
22	PART OF 3331036	1	CAP, AIR CLEANER
23	REF	-	COVER FRAME
24	REF	-	AIR CLEANER
25	REF.	-	WELDMENT, ENGINE COVER

OPTION - SEAT BELT, STANDARD SEAT GROUP (600030)

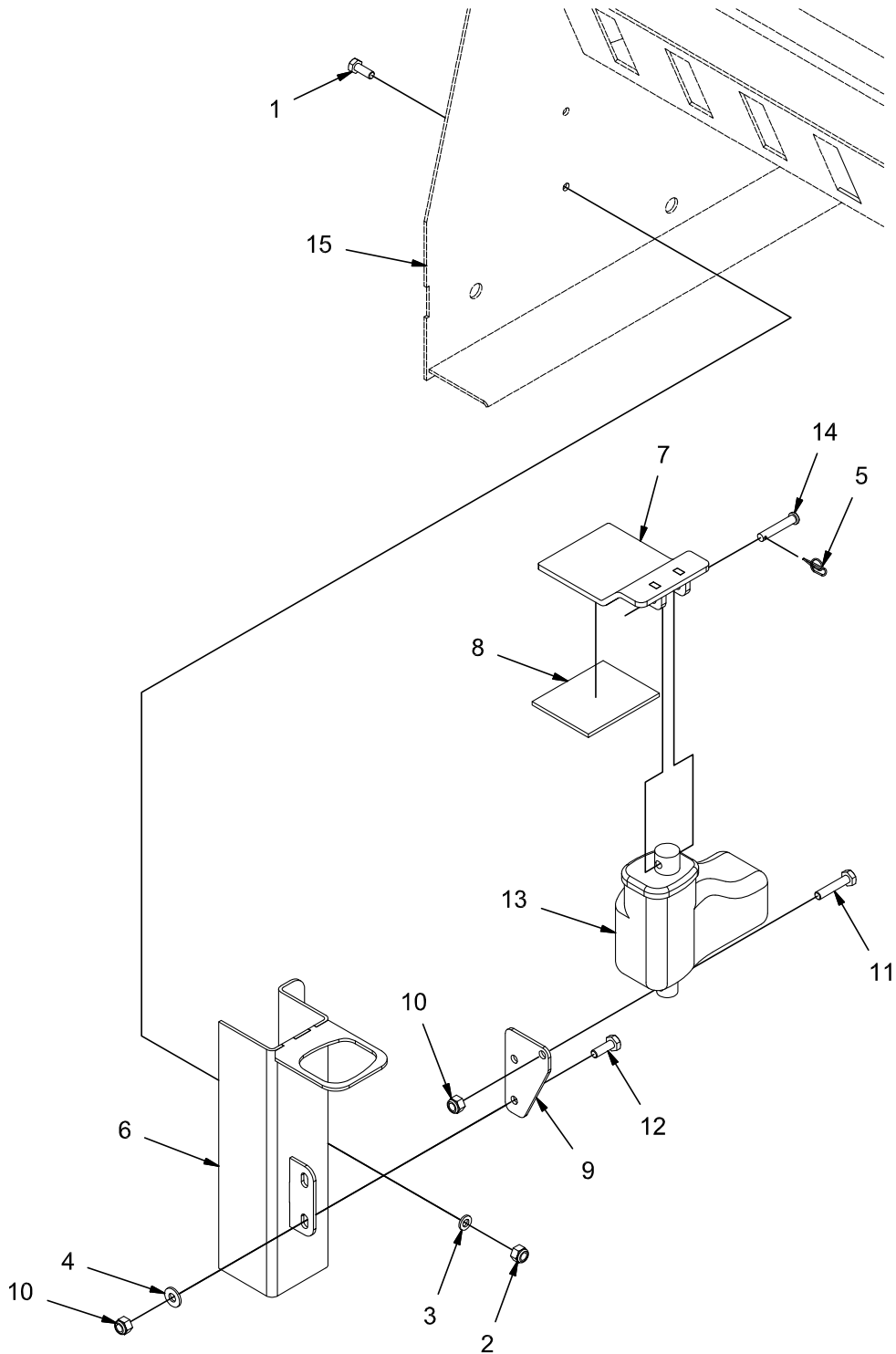


REV *

OPTION - SEAT BELT, STANDARD SEAT GROUP (600030)

Parts List			
ITEM	PART NUMBER	QTY	DESCRIPTION
1	3307246	1	LATCH, LH
2	3307248	1	STRIKER-LATCH
3	600934	4	NUT, M8-1.25 FLNG
4	620193	1	BRACKET, LATCH
5	620194	1	BRACKET, STRIKER
6	620216-1	1	ASSEMBLY, NUT PLATE
7	620222	1	BRACKET, SEAT BELT
8	713001	2	SCREW, 1/4-20 X .625 HHC
9	717024	6	BOLT, M8-1.25 X 20 HH
10	PART OF 620192	3	WASHER
11	PART OF 620192	2	BOLT, 7/16-20
12	PART OF 620192	2	NUT, 7/16-20
13	PART OF 620192	1	SEAT BELT, RECEIVER
14	PART OF 620192	1	SEAT BELT, RETRACTOR
15	REF.	-	SEAT
16	REF.	-	PUMP COVER
17	REF.	-	FLOOR

OPTION - AIR TUBE VALVE GROUP (600037)

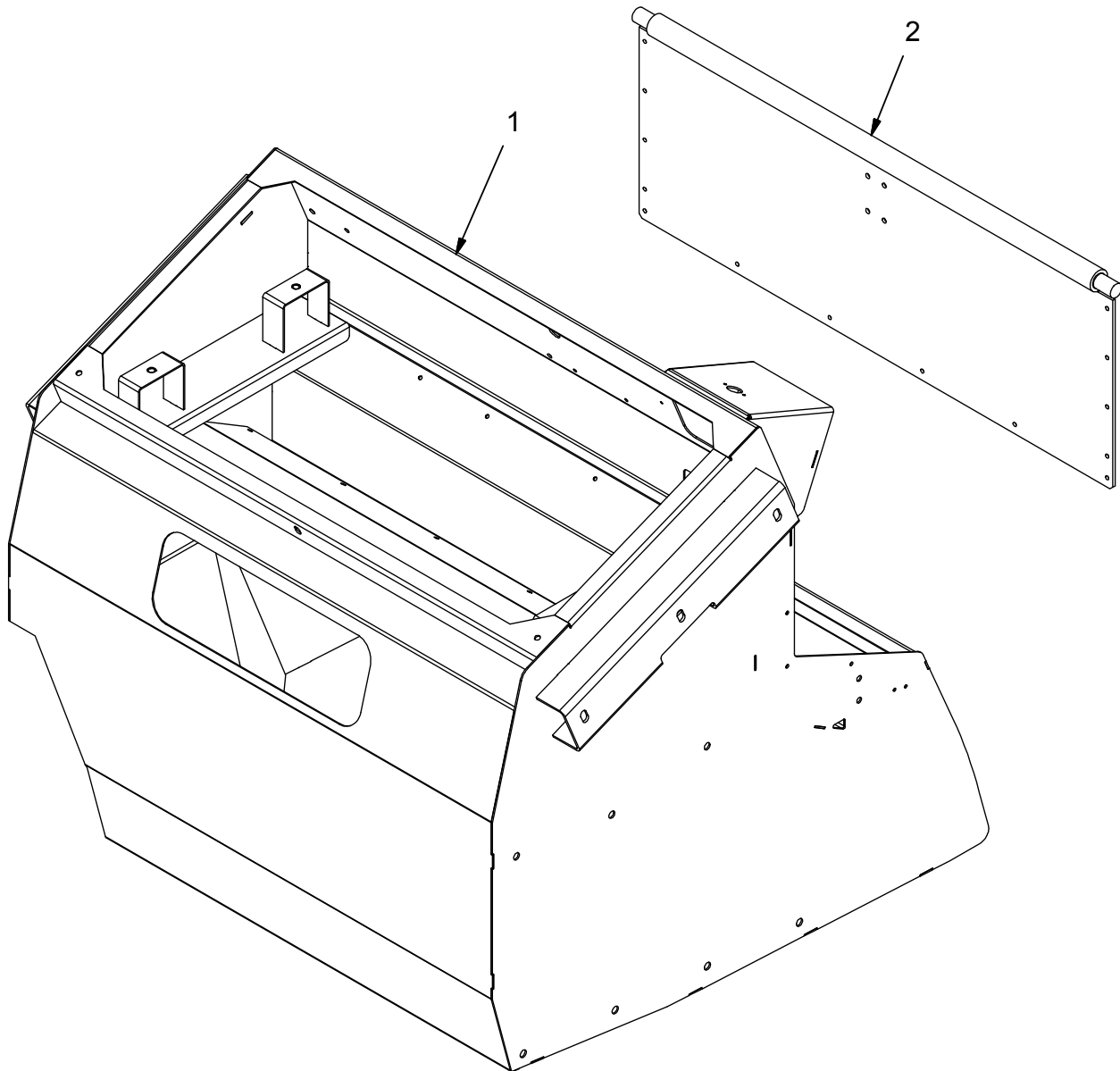


REV *

OPTION - AIR TUBE VALVE GROUP (600037)

Parts List 600037			
ITEM	PART NUMBER	QTY	DESCRIPTION
1	11038072	2	BOLT, M6-100 X 16 HH
2	12040044	2	NUT, M6-1.00 ESN
3	12310033	2	WASHER, M6
4	3400089	2	WASHER, 1/4 .625 X .281 X .063
5	3400742	1	RUE-RING, .25
6	620670	1	WELDMENT, AIR TUBE
7	620674	1	WELDMENT, AIR TUBE COVER
8	620677	1	SEAL, AIR TUBE
9	620687	1	BRACKET, ACTUATOR MNT
10	711373	3	NUT, FIBER INSERT 1/4-20
11	712566	1	SCREW, 1/4-20 X 1.25 HH SS
12	713002	2	SCREW, 1/4-20 X .750 HHC
13	748418-1	1	ASSEMBLY, ACTUATOR, 1"
14	832974	1	PIN, CLEVIS, .25 X .1.375
15	REF.	-	HOPPER

OPTION - STANDARD HOPPER WITH RHINO LINING GROUP (600390-R)

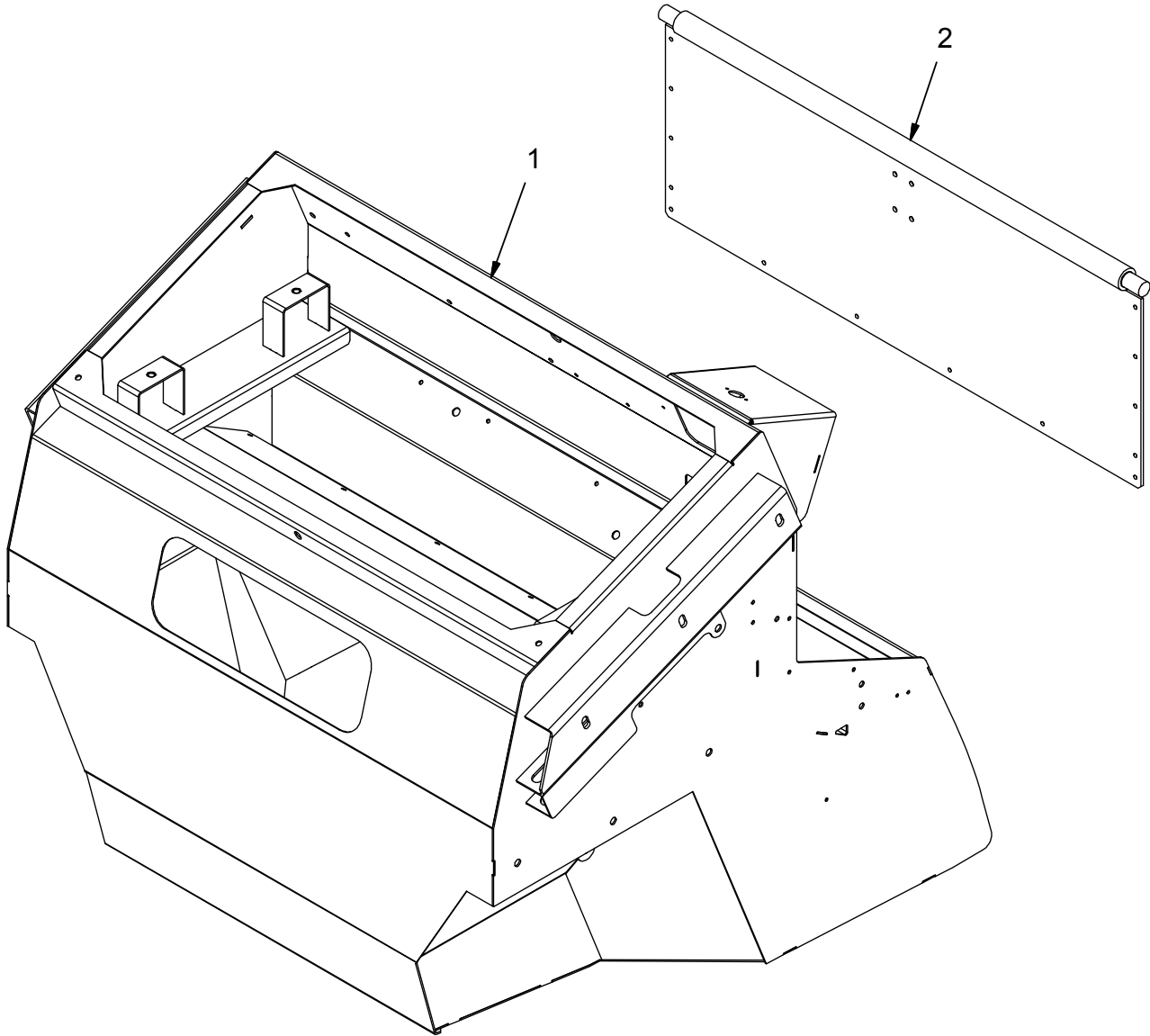


REV A

OPTION - STANDARD HOPPER WITH RHINO LINING GROUP (600390-R)

Parts List			
ITEM	PART NUMBER	QTY	DESCRIPTION
1	600390-R	1	HOPPER WITH RHINO LINING
2	600347-R	1	DUMP DOOR WITH RHINO LINING

OPTION - DUAL SIDE BROOM HOPPER WITH RHINO LINING GROUP (600841-R)



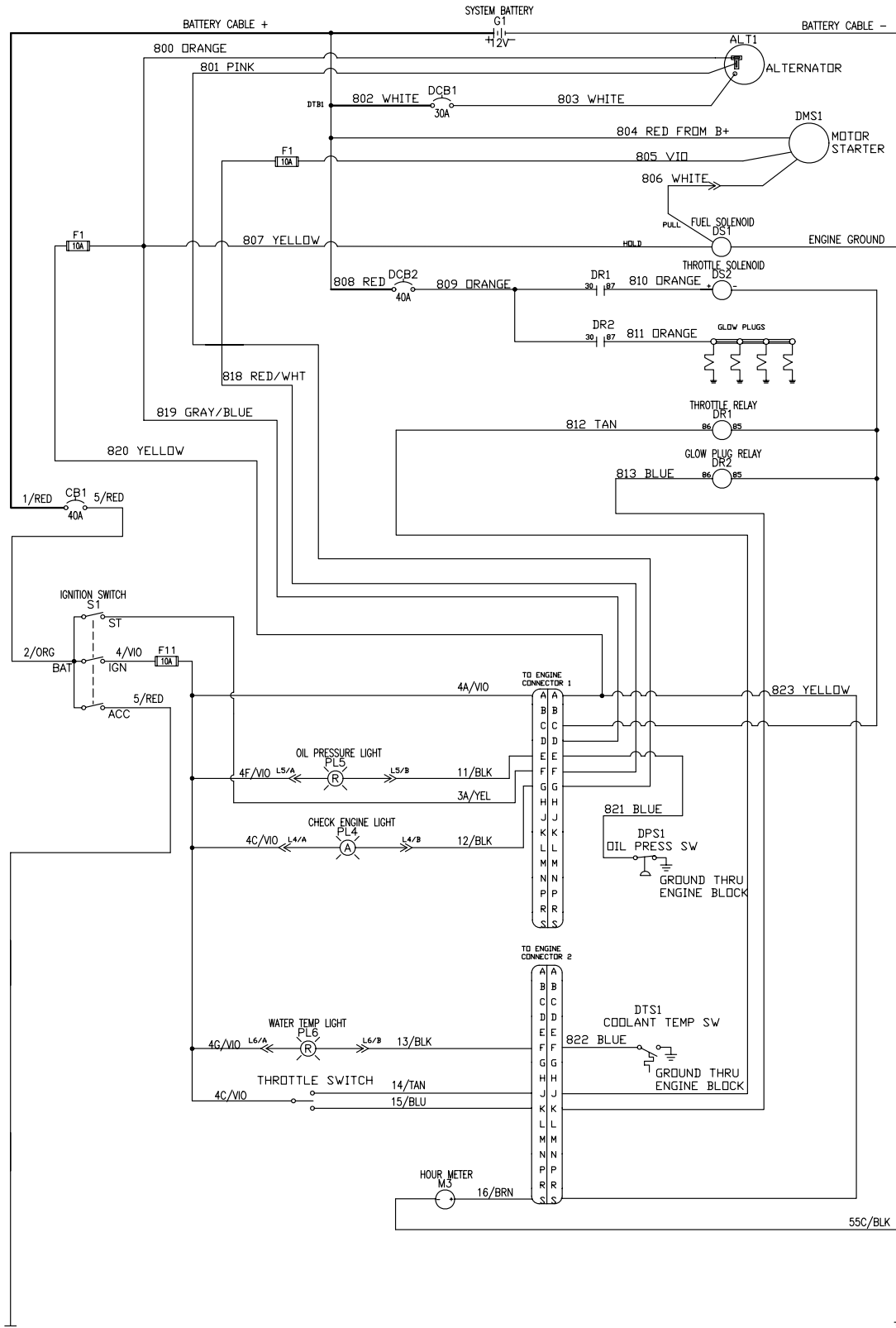
REV A

OPTION - DUAL SIDE BROOM HOPPER WITH RHINO LINING GROUP (600841-R)

Parts List			
ITEM	PART NUMBER	QTY	DESCRIPTION
1	600841-R	1	DUAL SIDE BROOM HOPPER WITH RHINO LINING
2	600347-R	1	DUMP DOOR WITH RHINO LINING

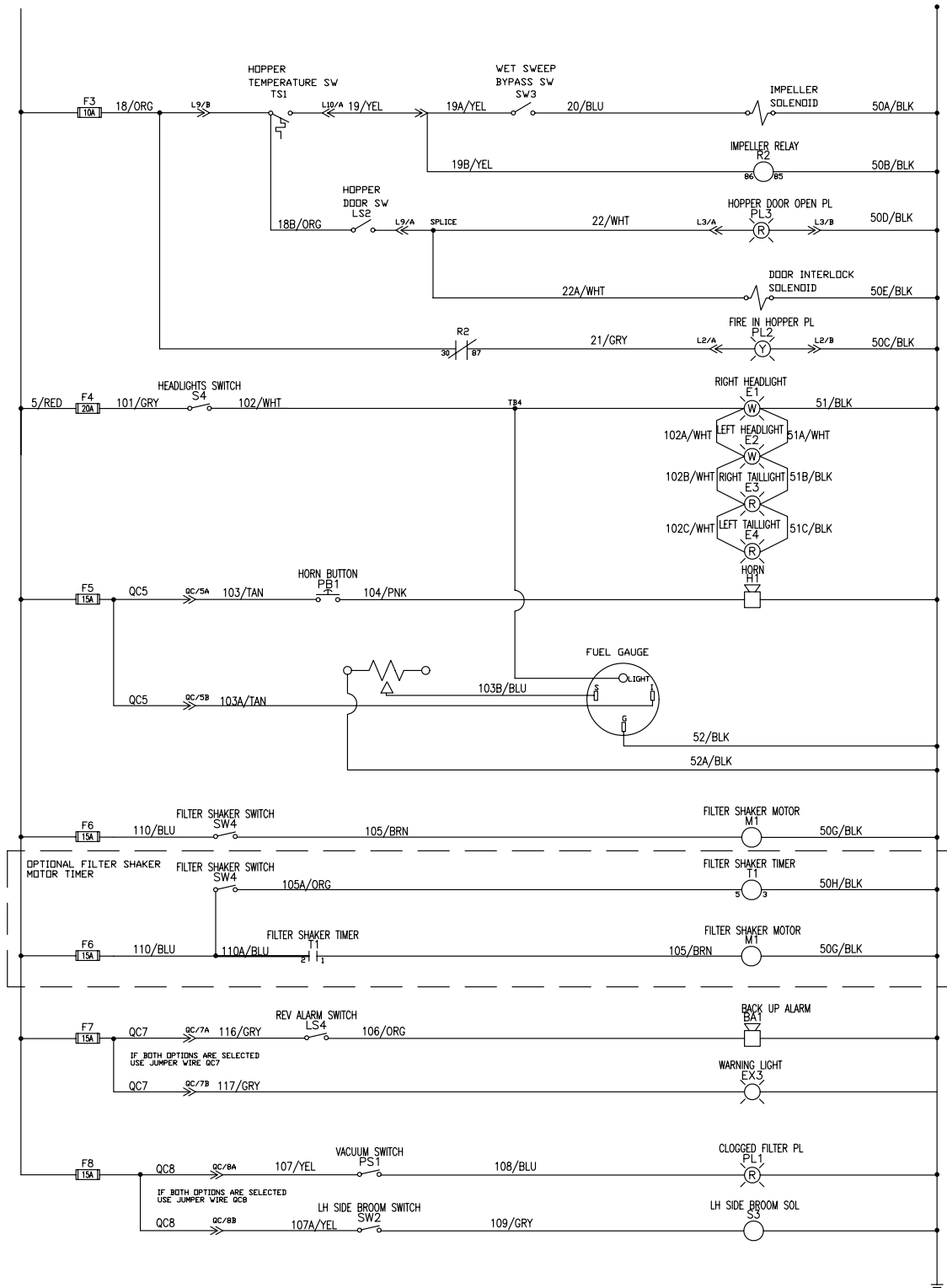
LAYOUTS - ELECTRICAL/HYDRAULIC

ATLAS ELECTRICAL SCHEMATIC LAYOUT - DIESEL



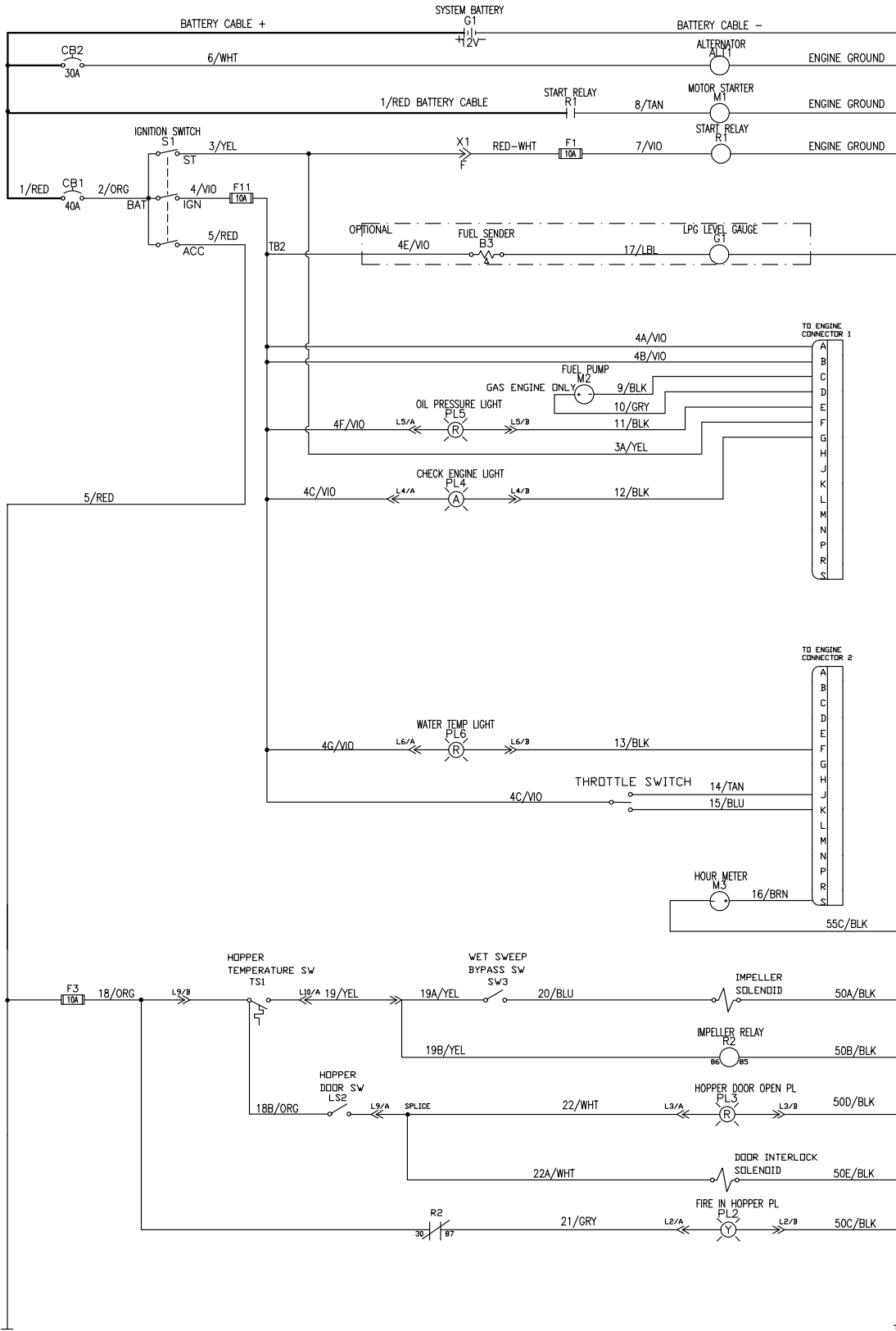
3397521 P1, REV *
08/20/2011

ATLAS SWEEPER #4100053 Rev. B 02/15



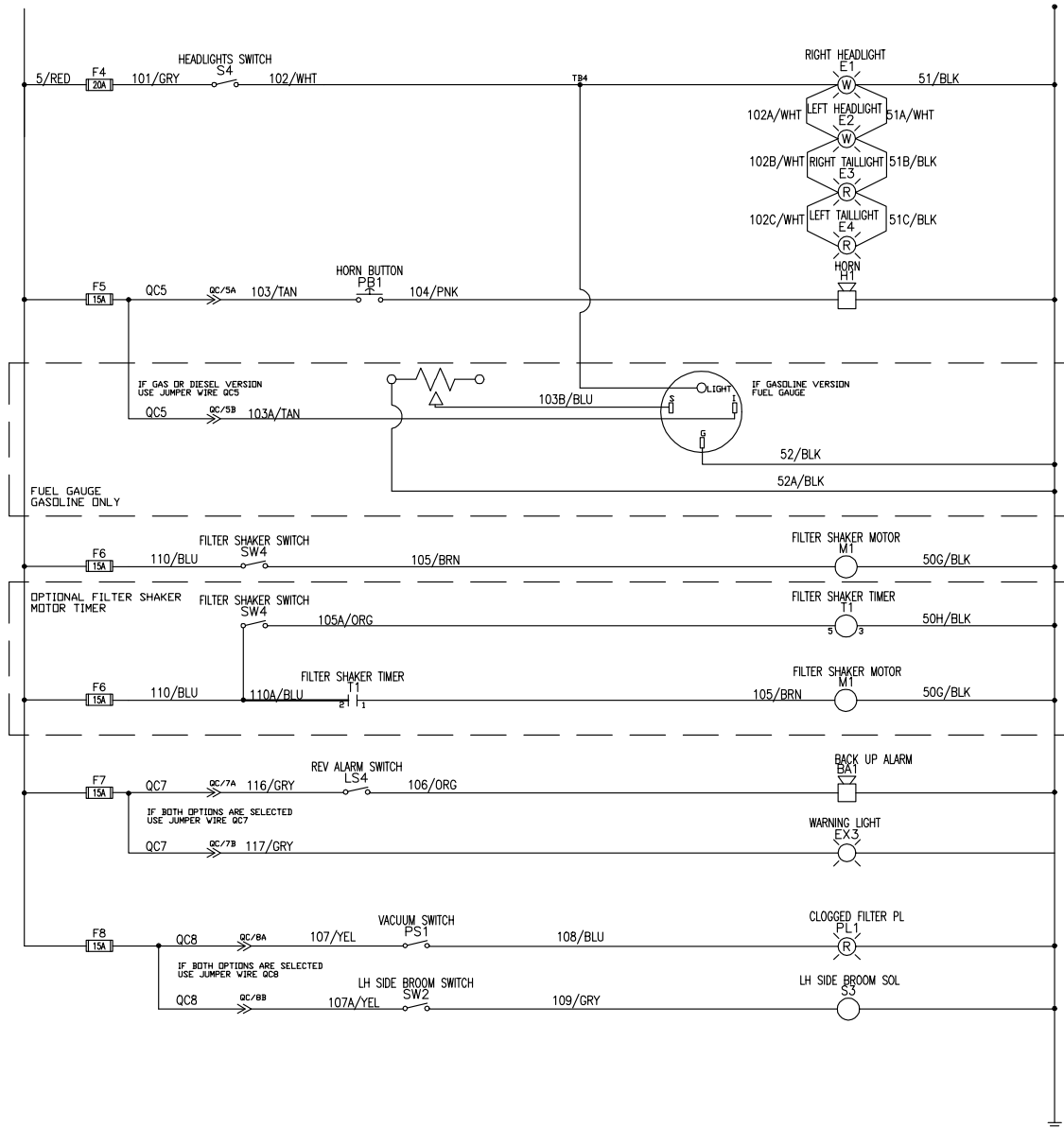
3397521 P2, REV *
08/20/2011

ATLAS ELECTRICAL SCHEMATIC LAYOUT - GAS & LPG



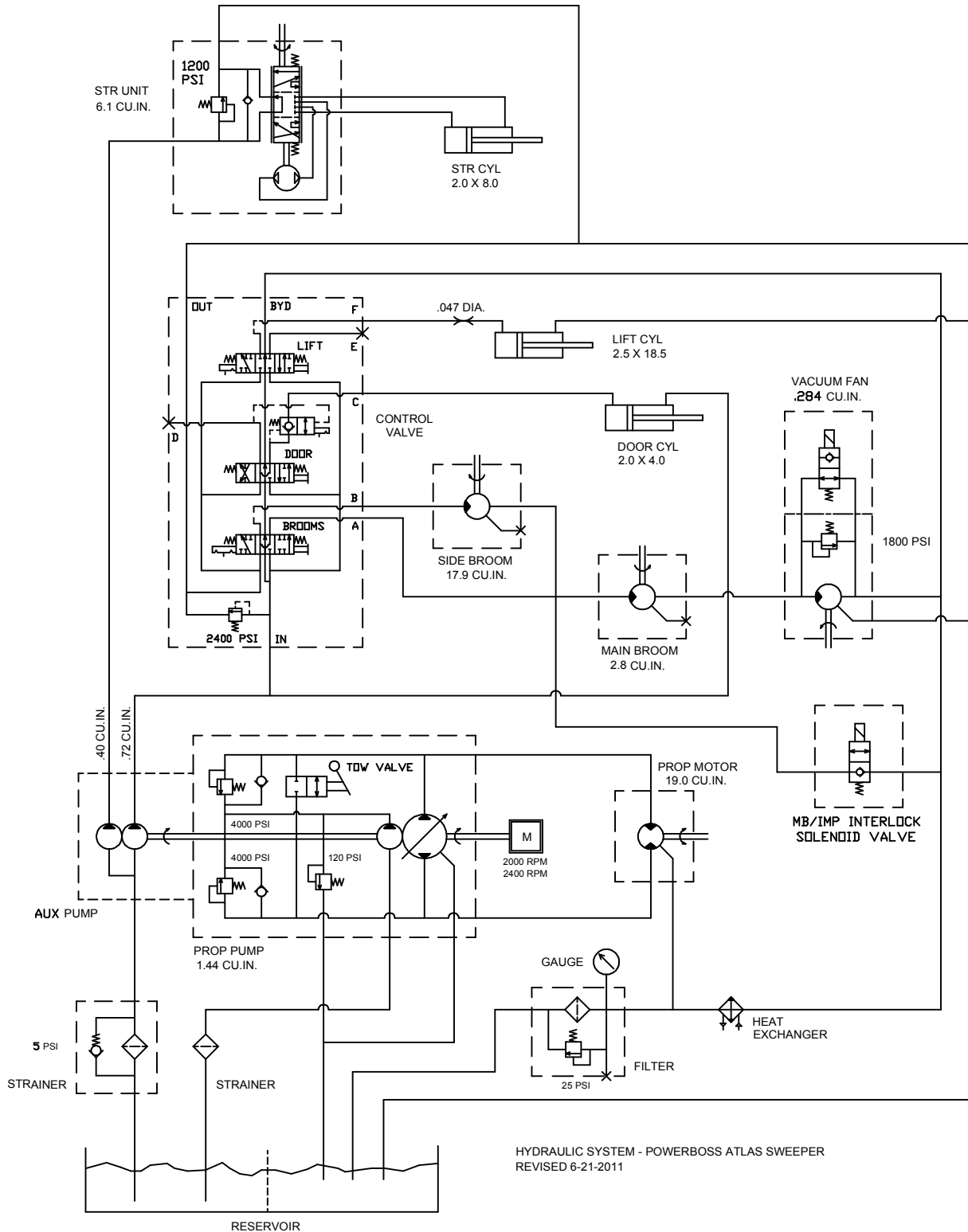
3397500 P1, REV *
02/20/2010

ATLAS ELECTRICAL SCHEMATIC LAYOUT - GAS & LPG



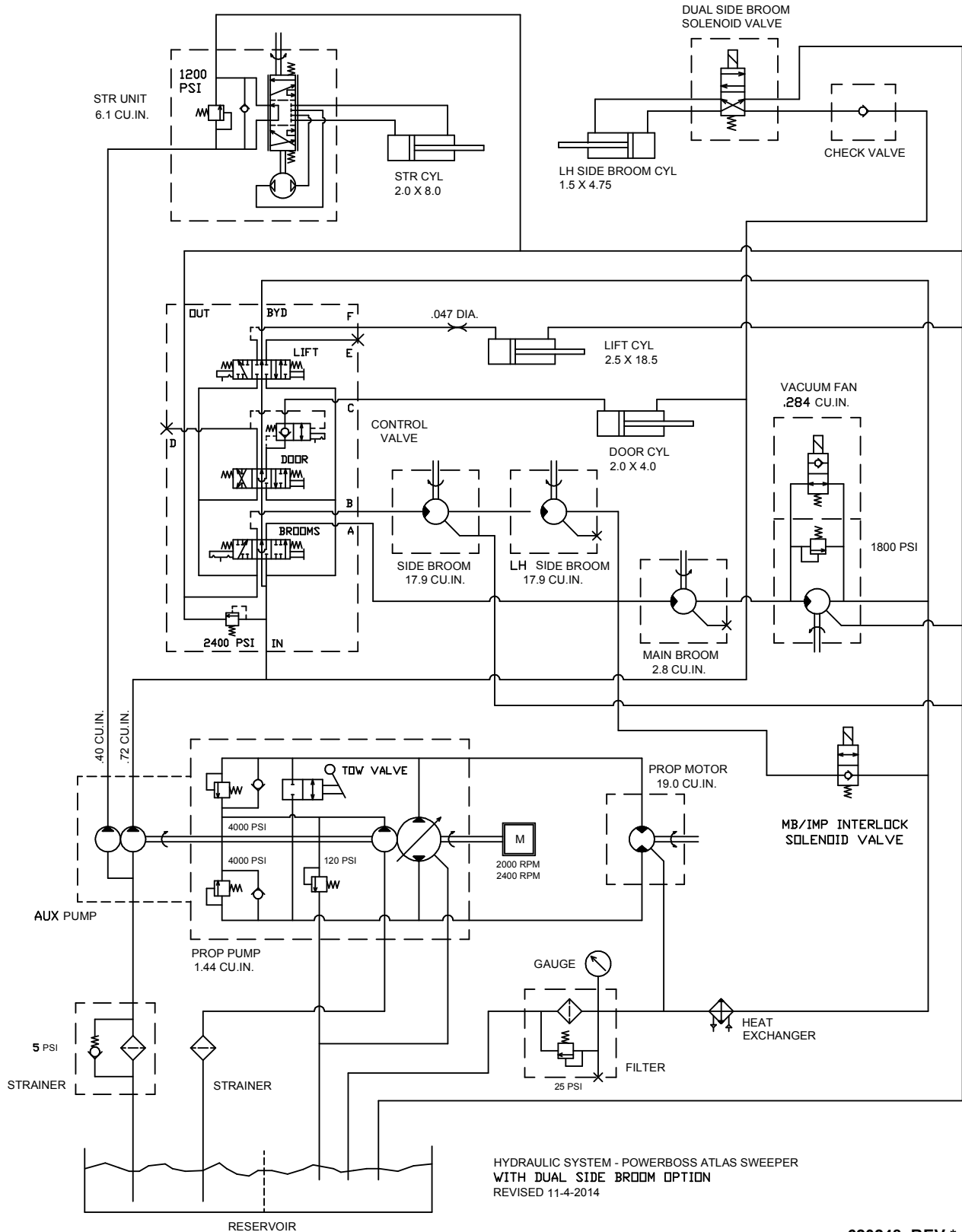
3397500 P2, REV *
02/20/2010

ATLAS HYDRAULIC SYSTEM LAYOUT



620247, REV *
06-21-2011

ATLAS HYDRAULIC SYSTEM LAYOUT WITH DUAL SIDE BROOM



620248, REV *
11-04-2011

THIS PAGE INTENTIONALLY LEFT BLANK

NOTES

WARRANTY

Revision J
Effective January 2014
PowerBoss Made Simple Industrial Limited Warranty

Minuteman International owner of PowerBoss warrants to the original purchaser/user that the product is free from defects in workmanship and materials under normal use. PowerBoss will, at its option, repair or replace without charge, parts that fail under normal use and service when operated and maintained in accordance with the applicable operation and instruction manuals. All warranty claims must be submitted through and approved by factory authorized repair stations.

This warranty does not apply to normal wear, or to items whose life is dependent on their use and care. Parts not manufactured by PowerBoss are covered by and subject to the warranties and/or guarantees of their manufacturers. Please contact Minuteman International for procedures in warranty claims against these manufacturers.

Special warning to purchaser -- Use of replacement parts not manufactured by PowerBoss or its designated licensees, will void all warranties expressed or implied. A potential health hazard exists without original equipment replacement.

All warranted items become the sole property of Minuteman International or PowerBoss or its original manufacturer, whichever the case may be.

PowerBoss disclaims any implied warranty, including the warranty of merchantability and the warranty of fitness for a particular purpose. PowerBoss assumes no responsibility for any special, incidental or consequential damages.

This limited warranty is applicable only in the U.S.A. and Canada, and is extended only to the original user/purchaser of this product. Customers outside the U.S.A. and Canada should contact their local distributor for export warranty policies. PowerBoss is not responsible for costs or repairs performed by persons other than those specifically authorized by PowerBoss. This warranty does not apply to damage from transportation, alterations by unauthorized persons, misuse or abuse of the equipment, use of non-compatible chemicals, or damage to property, or loss of income due to malfunctions of the product. If a difficulty develops with this machine, you should contact the dealer from whom it was purchased.

This warranty gives you specific legal rights, and you may have other rights, which vary from state to state. Some states do not allow the exclusion or limitation of special, incidental or consequential damages, or limitations on how long an implied warranty lasts, so the above exclusions and limitations may not apply to you.

	Travel *	Labor	Parts	Engine	Extended Warranty	Costs
Walk Behind						****
Battery Sweepers	90 Days	12 months	12 months	N/A	N/A	-
IC Sweepers	90 Days	12 months	12 months	Through Eng. Mfg.	N/A	-
Battery Scrubbers	90 Days	24 months	36 months	N/A	N/A	-
Riders						
Battery Scrubbers	90 Days	24 months	36 months or 2000 hr.	N/A	36 months parts + 24 labor (or 3000 Hours)	5%
IC Sweeper/Scrubbers 82 & 90	90 Days	6 months	24 months or 2000 hr.	24 months or 3000 hrs**	36 months parts + 24 months labor (or 3000 Hours) + 180 days travel	5%
I.C. Sweepers 9X, 10X	90 days	6 months	48 months or 3000 hrs.	60 months or 3000 hrs**	48 months parts + 24 months labor (or 3000 Hours) + 180 days travel	5%
NAUTILUS Scrubber	180 Days	24 months	36 months or 2000 hr.	36 months or 2000 hrs**	48 months parts + 24 months labor (or 3000 Hours) + 180 days travel	3%
All Rider, I.C. (excluding APEX series)					Bumper to Bumper 5000 hr max. 48 months parts, 48 months labor, 180 days travel	8%
Exceptions						
Apex Series Sweeper	90 Days	12 months	12 months or 1000 hr.	12 months or 1000 hrs**	24 months parts + 24 months labor (or 2000 Hours)	5%
6X Sweeper	90 Days	6 months	24 months or 2000 hr.	24 months or 2000 hours**	36 months parts + 24 months labor (or 3000 Hours) + 180 day travel	5%

Tank Bladders Eight years/ no additional labor
Polyethylene plastic tanks Ten years/ no additional labor
Batteries 0-3 months full replacement, 4-12 prorated credit
Chargers One-year replacement
Aftermarket Replacement parts Ninety days from date of purchase

*Two-Hour Cap Per Service Call

**Through Engine Manufacturer. See Section 3 of Warranty Manual for Engine Warranty Exceptions

*** Based Upon Dealer's Certification Status:

Extended Warranty MUST Be Signed Up Within 30 Days of Delivery to End User
(Dealer Has 1Year From Receiving Machine To Sign Up For Extended Warranty)

****All above labor and travel reimbursed at 65% or 75% of the published shop rate.*



“The Power of Clean”

**PowerBoss® is a Full Line Manufacturer of Sweepers and Scrubbers,
for Industrial Facilities.**

PowerBoss®, Minuteman International, Inc. 14N845 U.S. Route 20 Pingree Grove, Illinois 60140
Phone: 800-323-9420 www.PowerBoss.com Email: tech@powerboss.com
A Member of the Hako Group

Atlas Sweeper #4100053 Rev. B 02/15

PowerBoss® Copyright 2011-2015